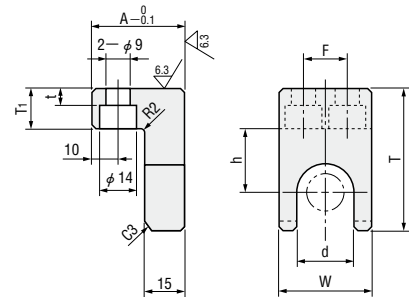


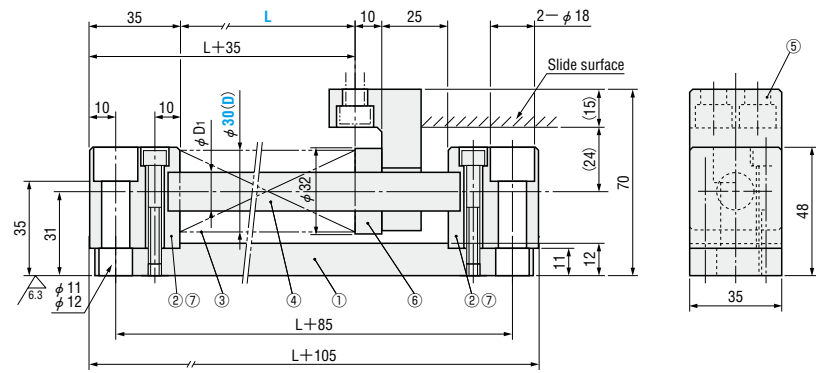
RETURNING UNITS FOR CAM SLIDER NO INTIAL PRESSURE TYPE



⑤ SURP (Slide angle)



CUSL 30



CUSL 40
CUSF 40

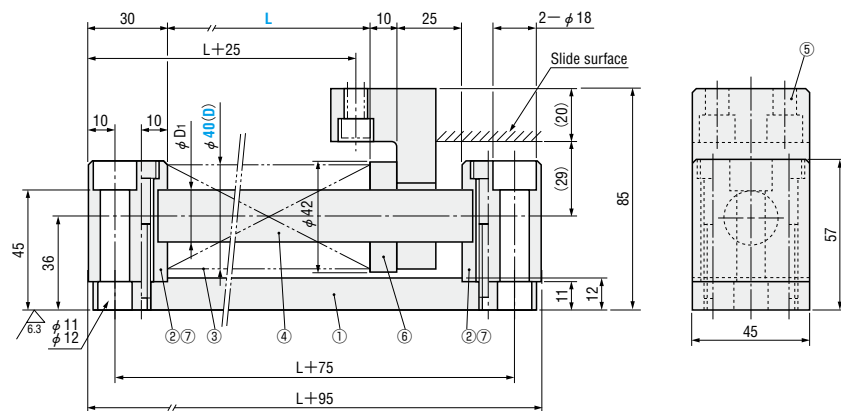


Table of Components

No.	Name	Quantity	Material, Remarks	No.	Name	Quantity	Material, Remarks
①	Base plate	1	SS400	⑤	Slide angle	1	SS400
②	Fixed plate	2	SS400	⑥	Separate disk	1	FC250
③	Coil spring	1	MISUMI spring	⑦	Hexagon socket head cap screw	4	SCM435
④	Guide pin	1	S45C				

Coil spring	1 million times		300 thousand times		Spring constant N/mm (kgf/mm)	D1	Catalog No.	(D)	L	
	Stroke	Load N (kgf)	Stroke	Load N (kgf)						
SWL30—100	32	949 (97)	40	1186 (121)	29.7[3.02]	14	CUSL	30	100	
SWL30—125	40		50		23.7[2.42]				125	
SWL30—150	48		60		19.8[2.02]				150	
SWL30—175	56	1694 (173)	70	2117 (216)	16.9[1.73]	19		CUSL	40	125
SWL40—125	40		50		42.3[4.32]					150
SWL40—150	48		60		35.3[3.60]					175
SWL40—175	56		70		30.2[3.08]		200			
SWL40—200	64	80	26.5[2.70]	250						
SWL40—250	80	100	21.2[2.16]	90						
SWF40—90	36	1003 (102)	45	1254 (128)	27.9[2.84]	20	CUSF	40	125	
SWF40—125	50		62.5		20.1[2.05]				150	
SWF40—150	60		75		16.7[1.70]					

Order	Catalog No.	(D)	L
	CUSL	30	125
	CUSF	40	125

Days to Ship **Quotation**

Price **Quotation**

⑤ Slide angle

Used for	W	A	T	d	F	h	T1	t	Catalog No.	(D)
CUSL30	35	35	53	21	18	24	15	5	SURP	30
CUSL40	45	40	69	25	25	29	20	10		40
CUSF40										40

Order	Catalog No.	(D)
	SURP	30

Days to Ship **Quotation**

Price **Quotation**