

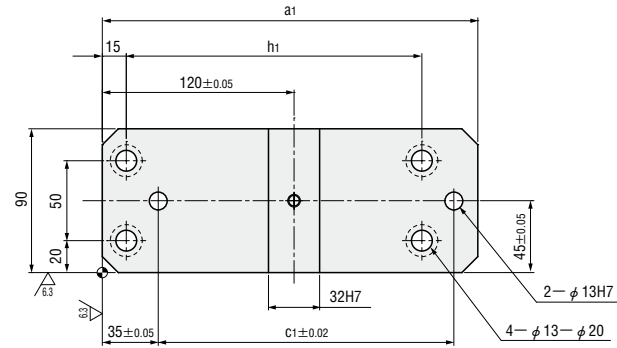
# COMPACT UNDER CAM UNITS

—MGDC • MEDCC—

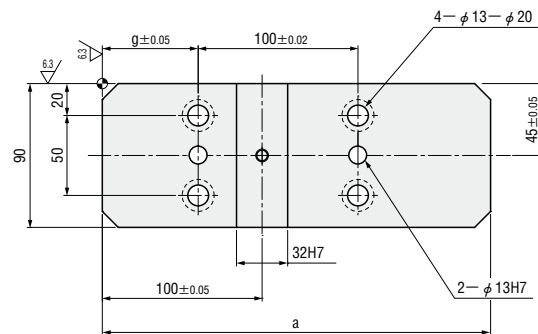
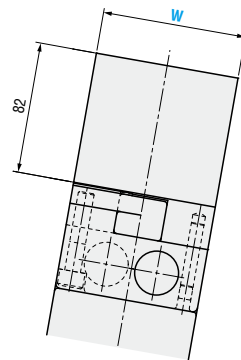
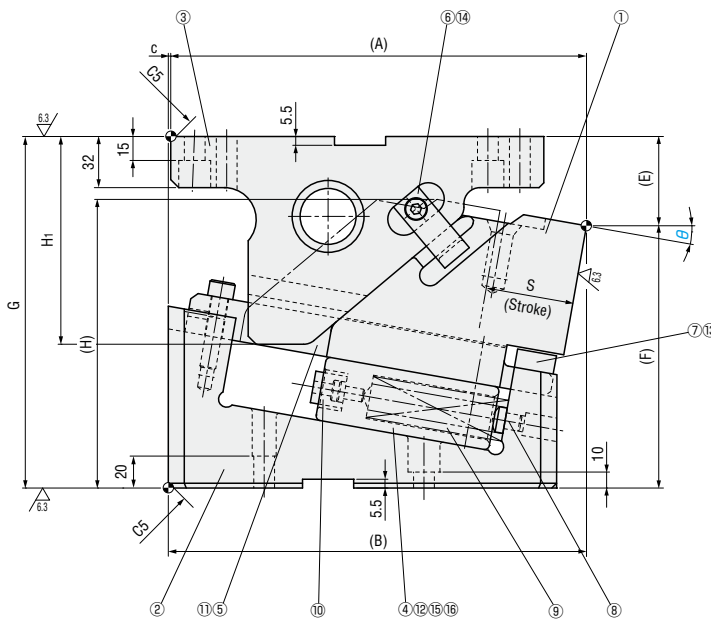
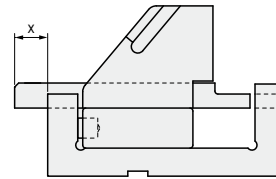
CAM DIAGRAM

P.1341

**MGDC90**  
**MEDCC90**  
(Economy type)



### ■ Rear removal space



■ Components table P.1342

W	$\theta$	S	A	B	C	E	F	G	H	H <sub>1</sub>	a	a <sub>1</sub>	c <sub>1</sub>	g	h <sub>1</sub>	x
90	00	55	236	236	0	38	182	220	182	145	233	210	160	60	160	30
	05		251.42	251.42		53.76	166.24		174.5		240	225	175		175	23
	10		261.72	261.72		55.86	164.14		180.6	130	243	235	185		19	
	15		260.82	275.82	15	64.03	160.97	225	188.4	120	248	65	185		9	

Standard working force	Working force KN (tonf)		Spring load N (kgf)		Total weight kg	Catalog No.	W	$\theta$	Slide Stroke S
	Max. working force	Preload	5mm before bottom dead center	Max. load					
38.2 (3.9)	76.5 (7.8)	171 (17.4)	1119 (114.1)	1213 (123.7)	24.9	MGDC MEDCC (Economy type)	90	00	55
					25.9				
					27.3				
					29.3				

Order     -   -

Days to Ship

Price

Alterations     -   -   - (N · K · WC)

Alterations	Code	Spec.
	N12	Change dowel hole diameter φ13H7 ⇒ φ12H7
	K	Add 2 locating keys (With 2 hexagon socket head cap screws M8×15)
	WC	Change the width of mounting surface W=90 ⇒ W=120 or 150 ⚠ Only 120 or 150 can be specified.