

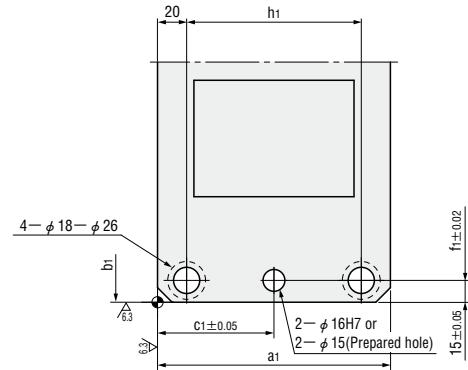
STANDARD UNDER CAM UNITS — DRILLED DOWEL HOLES / FINISHED DOWEL HOLES —

— MGDC · MGDC A · MEDC · MEDCA —

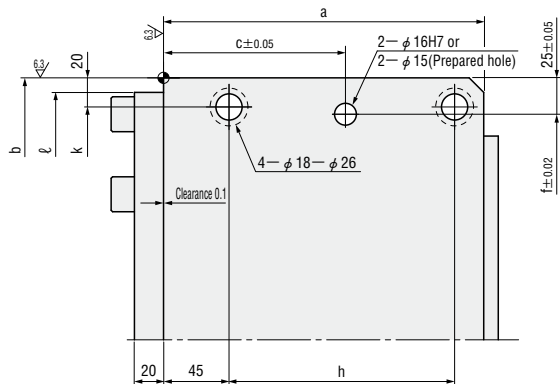
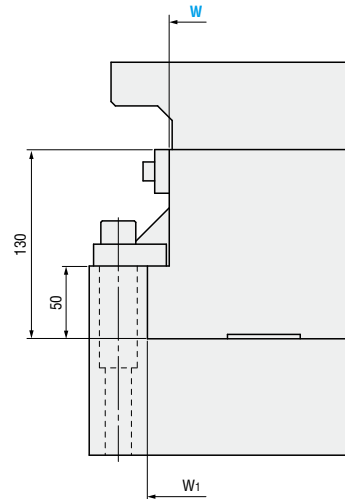
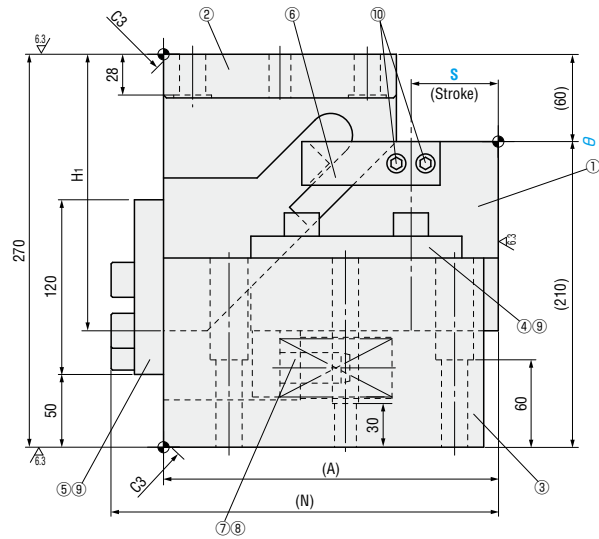
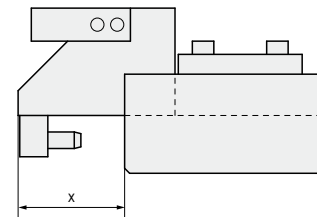


— Drilled dowel holes —
MGDC250/300
MEDC250/300
 (Economy type)

— Finished dowel holes —
MGDCA250/300
MEDCA250/300
 (Economy type)



■ Rear removal space



W	θ	S	A	H ₁	N	W ₁	a	a ₁	b	b ₁	c	c ₁	f	f ₁	h	h ₁	k	ℓ	x
250	00	40	210	170	246	280	200	140	360	330	105	70	310	300	135	100	320	340	135
		60	230	190	266		220	160			125	80			155	120			
300	00	40	210	170	246	330	200	140	410	380	105	70	360	350	135	100	370	390	135
		60	230	190	266		220	160			125	80			155	120			

Standard working force	Max. working force	Spring load N (kgf)			Total weight kg	Catalog No.	W	θ	Slide Stroke S
		Preload	5mm before bottom dead center	Max. load					
98.1 (10.0)	147.1 (15.0)	602 (61.4)	3238 (330.2)	3614 (368.6)	106.0	— Drilled dowel holes — MGDC MEDC (Economy type)	250	00	40
		651 (66.4)	3407 (347.4)	3657 (372.9)	127.0				60
117.7 (12.0)	176.5 (18.0)	602 (61.4)	3238 (330.2)	3614 (368.6)	106.0	— Finished dowel holes — MGDCA MEDCA (Economy type)	300	00	40
		651 (66.4)	3407 (347.4)	3657 (372.9)	128.0				60

Order **Catalog No.** **MGDC** **250** — **θ** **00** — **S** **60**

Days to Ship **Quotation**

Price **Quotation**