

# NAAMS STANDARD FLYING CAM UNITS

—MGFNS · MEFNS—

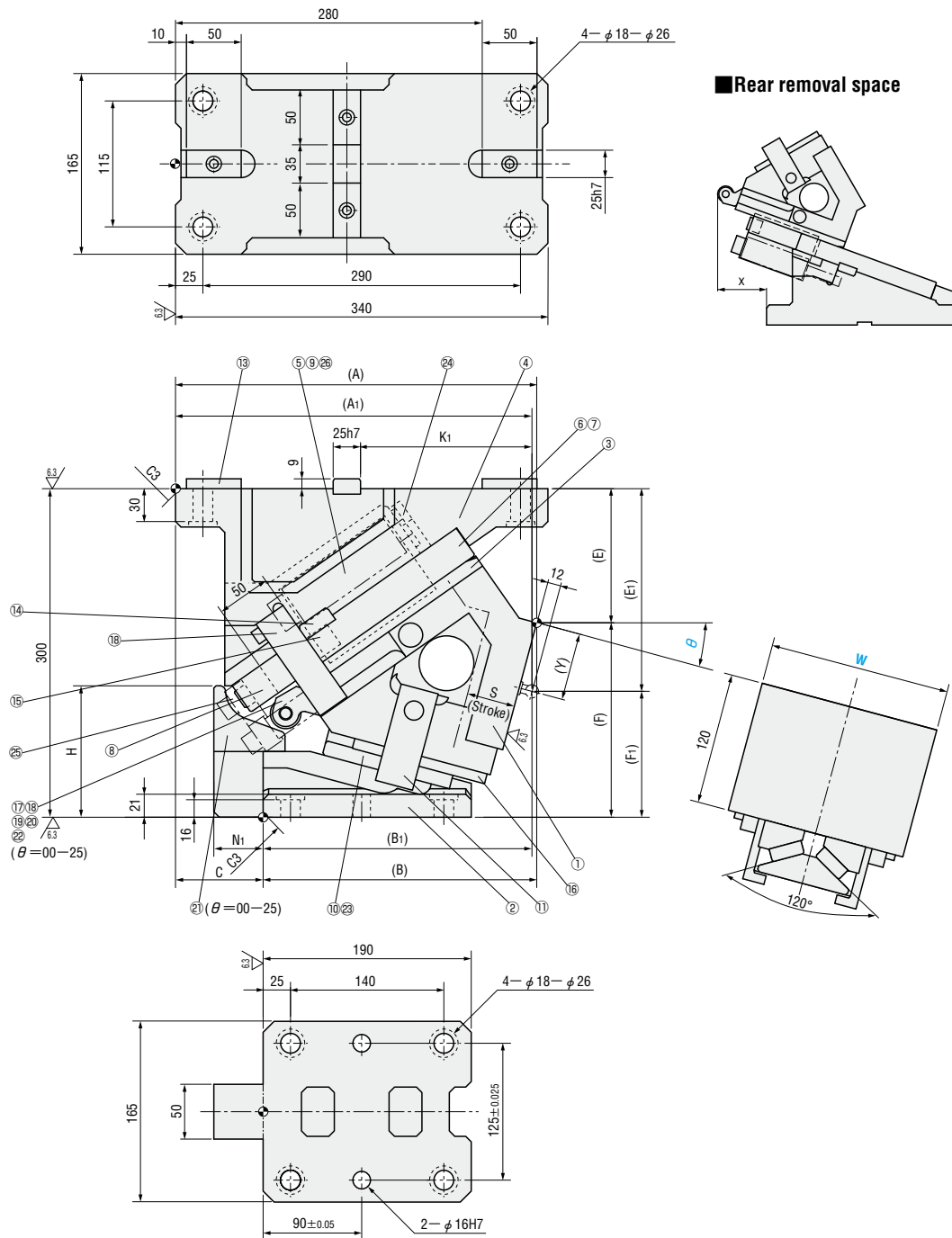
CAM DIAGRAM

P.1307

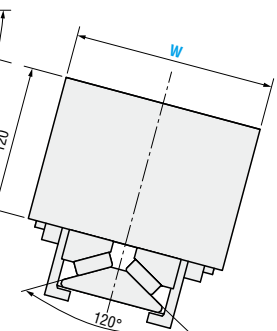
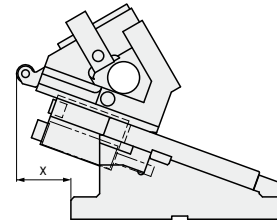
MGFNS165 ( $\theta=00-45$ )

MEFNS165 ( $\theta=00-45$ )

(Economy type)



■ Rear removal space



■ Components table P.1311

W	$\theta$	A	A <sub>1</sub>	B	B <sub>1</sub>	C	E	E <sub>1</sub>	F	F <sub>1</sub>	H	K <sub>1</sub>	N <sub>1</sub>	Y	x
165	00	335.84	347.84	207.84	219.84	128	96.98	170	203.02	130	80	180.5	55	73.02	21
	05	335.25	340.82	222.25	227.82	113	100.91	175	199.09	125	98	173		73.32	37
	10	337.27	337.3	236.27	236.3	101	111.09	180	188.91	120	109	165.5		50	67.86
	15	329.78	325.45	249.78	245.45	80	122.46	185	177.54	115	120	156.5	45	61.53	66
	20	332.68	323.61	262.68	253.61	70	129.99	190	170.01	110	137	149	42	59.49	71
	25	332.88	319.83	274.88	261.83	58	138.62	195	161.38	105	154	140	37	56.61	83
	30	334.28	315.39	286.28	267.39	48	148.28	205	151.72	95	125	132.5	30	58.57	90
	35	329.8	305.16	296.8	272.16	33	158.89	215	141.11	85	135	125	155	60.1	100
	40	321.35	291.18	306.35	276.18	15	170.38	225	129.62	75	117.5	111.5		25	61.23
	45	314.86	279.49	314.86	279.49	0	182.66	235	117.34	65	111.5	111.5		62.03	116

Slide Stroke S	Working force KN (tonf)	Total weight kg	Catalog No.	W	$\theta$	Spring Code
32.1	294.2 (30.0)	76.1	MGFNS MEFNS (Economy type)	165	00	GK ISO NGK NISO
35.5		74.2			05	
38.9		73.8			10	
42.4		73.1			15	
46.1		72.3			20	
50.0		72.1			25	
54.3		71.9			30	
59.0		72.2			35	
64.3		72.4			40	
70.4		65.5			45	

■ Spring type

Spring Code	Spring specification	Spring load N (kgf)				Remarks	
		$\theta$	Preload	5mm before bottom dead center	Max. load		
GK	TU250—63.5	—	—	—	3430(350)	Gas spring (Equivalent to KALLER)	
ISO	$\phi 40 \times 178$	00	449(45.8)	2344(239.0)	2694(274.7)	Coil spring (Constant=44.9N/mm)	
		05					2380(242.7)
		10					2407(245.4)
		15					2429(247.7)
		20					2452(250.0)
		25					2470(251.8)
		30					2487(253.7)
		35					2505(255.5)
40	2519(256.9)						
45	2537(258.7)						
NGK	—	—	—	—	—	Without gas spring	
NISO	—	—	—	—	—	Without coil spring	

Order **Catalog No.** MGFNS **W** 165  **$\theta$**  35 **Spring Code** ISO **Alterations** **Catalog No.** MGFNS **W** 165  **$\theta$**  30 **Spring Code** ISO **(N · NF)** N

Days to Ship **Quotation**

Price **Quotation**

Alterations	Code	Spec.
	N	Add dowel hole Add 2 dowel holes ( $\phi 16H7$ ) on cam holder.
	NF	No nitrogen is filled into gas spring. Only for GK.

CAM UNITS & COMPONENTS