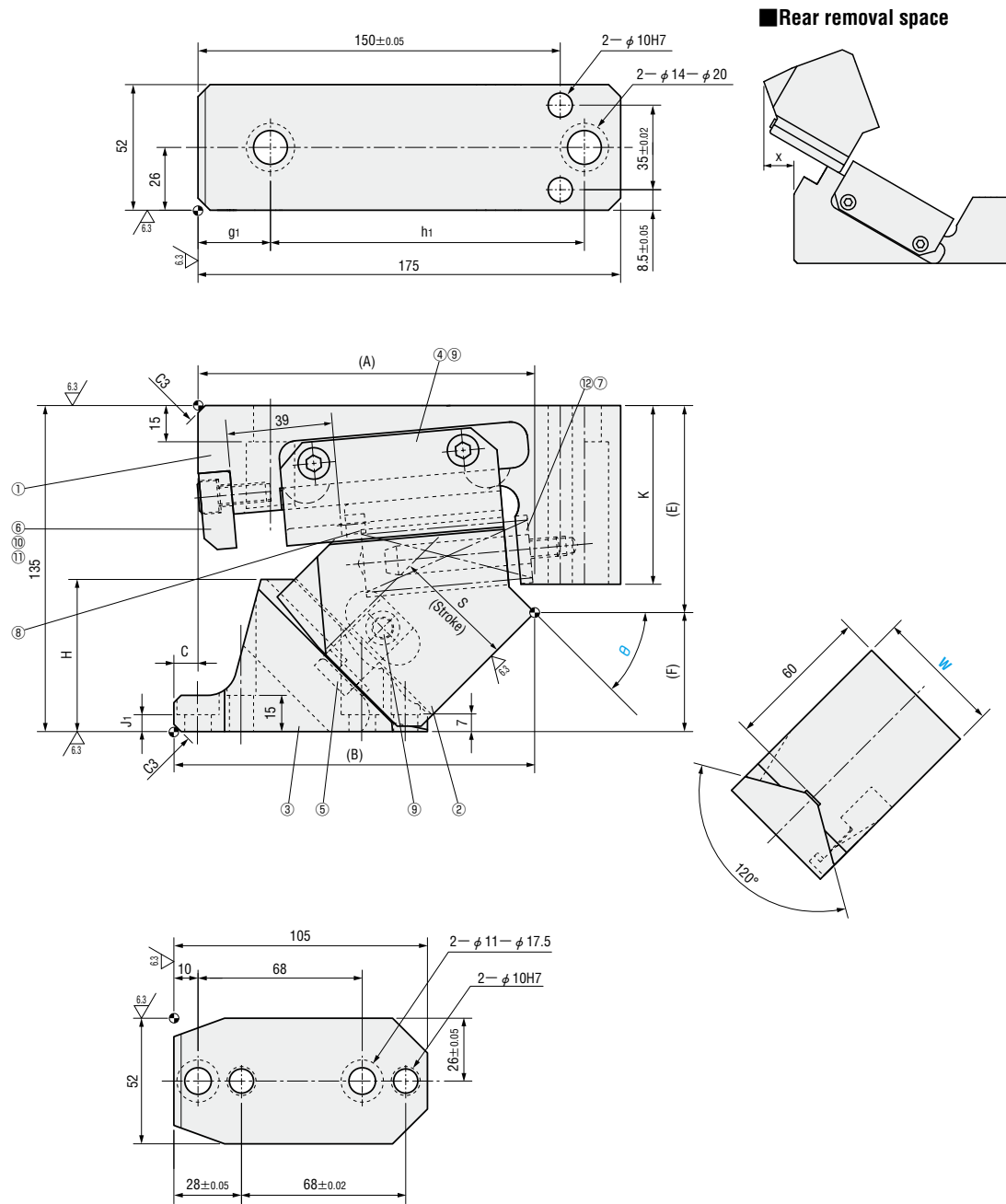


# COMPACT LONG STROKE FLYING CAM UNITS FOR PIERCE

—MGFVL · MEVLN—



— With automatic alignment — **MGFVL52 ( $\theta=45-50$ )**  
 — Without automatic alignment — **MEVLN52 ( $\theta=45-50$ )**  
 (Economy type)



■ Components table P.1238

| W  | $\theta$ | A      | B      | C  | E     | F     | H  | J <sub>1</sub> | K  | g <sub>1</sub> | h <sub>1</sub> | x  |
|----|----------|--------|--------|----|-------|-------|----|----------------|----|----------------|----------------|----|
| 52 | 45       | 139.41 | 149.41 | 10 | 85.73 | 49.27 | 63 | 7              | 74 | 27             | 133            | 67 |
|    | 50       | 135.92 | 152.92 | 17 | 89.43 | 45.57 | 68 | 12             | 78 | 30             | 130            | 70 |

| Slide Stroke S | Working force KN (tonf) |                    | Spring load N (kgf) |                               |            | Total weight kg | Catalog No.                                | W  | $\theta$ |
|----------------|-------------------------|--------------------|---------------------|-------------------------------|------------|-----------------|--|----|----------|
|                | Standard working force  | Max. working force | Preload             | 5mm before bottom dead center | Max. load  |                 |  |    |          |
| 54.9           | 14.7 (1.5)              | 29.4 (3.0)         | 137 (14.0)          | 833(84.9)                     | 902 (91.9) | 5.3             | —With automatic alignment—<br><b>MGFVL</b> | 52 | 45       |
| 60.7           |                         |                    |                     | 839(85.5)                     |            |                 |  |    | 50       |

Order     -

Days to Ship **Quotation**

Price **Quotation**

Alterations     -   - (SC · WC)

| Alterations | Code | Spec.   |
|-------------|------|---|
|             | SC   | Move forward mounting surface<br>1 ≤ SC ≤ 60<br>1mm increment |
|             | WC   | Change the width of mounting surface<br>W=52 ⇒ W=65           |