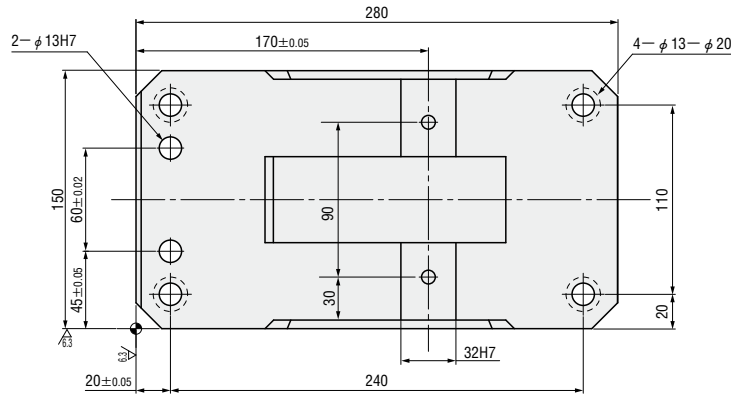


STANDARD FLYING CAM UNITS FOR PIERCE

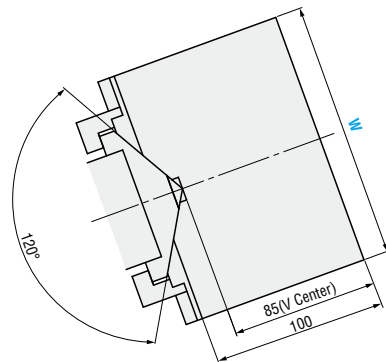
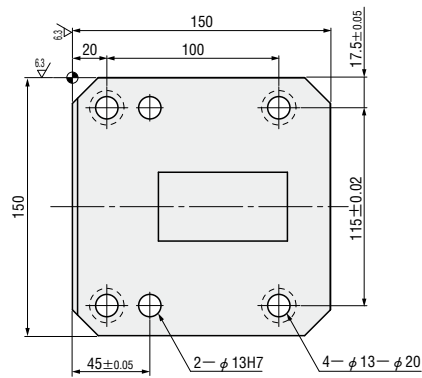
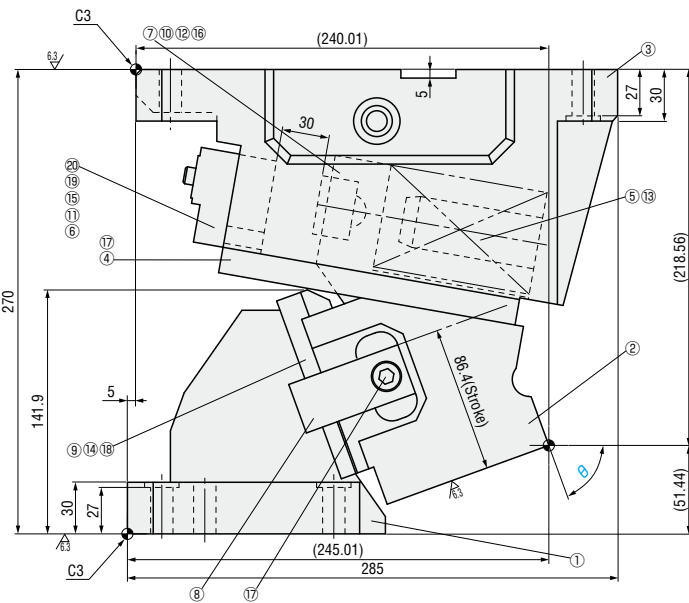
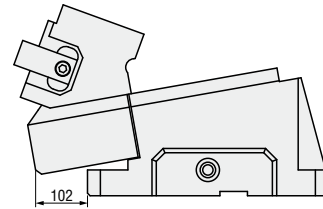
— MGFV · MEVN —



— Without automatic alignment —
MGFV150-70
MEVN150-70
 (Economy type)



■ Rear removal space



■ Components table P.1179

Slide Stroke S	Working force KN (tonf)		Spring load N (kgf)			Total weight kg	Catalog No.	W	θ
	Standard working force	Max. working force	Preload	5mm before bottom dead center	Max. load				
86.4	88.3 (9.0)	132.4 (13.5)	2226 (227.0)	4476 (456.4)	4611 (470.2)	43.5	— Without automatic alignment — MGFV MEVN (Economy type)	150	70

Order —
 MGFV 150 — 70

Days to Ship **Quotation**

Price **Quotation**

Alterations — — (N12 · N16...etc.)
 MGFV 150 — 70 — TK

Alterations	Code	Spec.
 φ 12H7 or φ 16H7	N12	Change dowel hole diameter φ 13H7 ⇒ φ 12H7
	N16	Change dowel hole diameter φ 13H7 ⇒ φ 16H7
	K	Add 2 locating keys (With 2 hexagon socket head cap screws M8×15)
	TK	T-keywaying Add 6 locating keys (With 6 hexagon socket head cap screws M8×15)
	S	With collars, screws and nuts to fix bottom dead center.