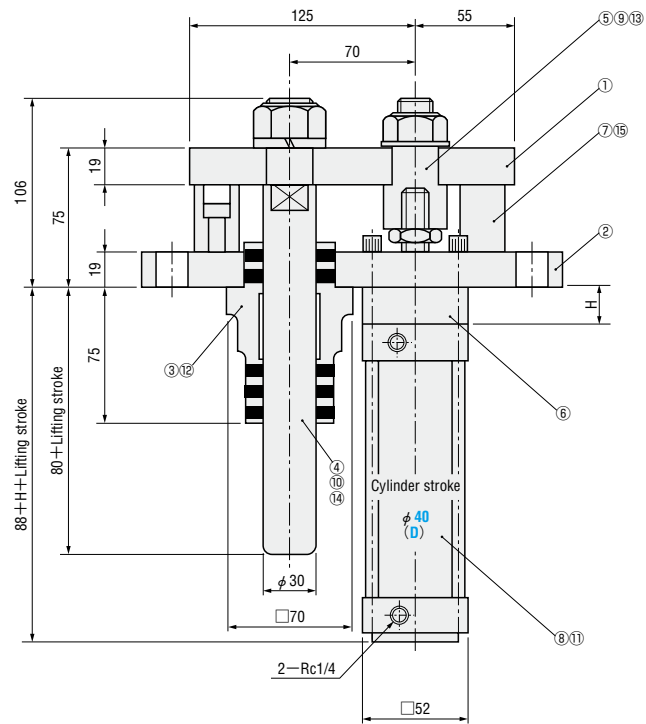
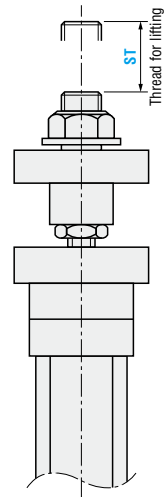
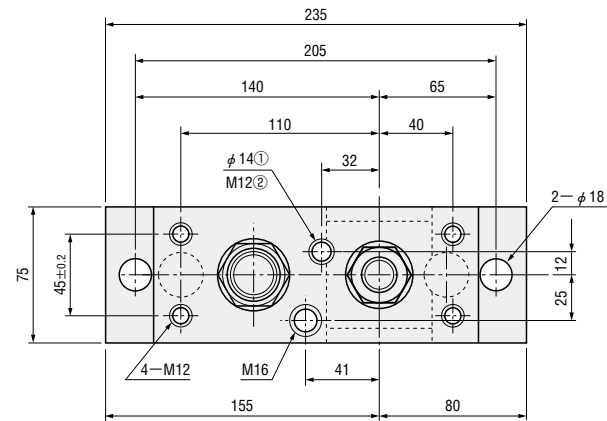


LIFTER UNITS

— MINI TYPE —

MALT40



Components list

No.	Name	Qty.	Material & remarks
①	Lifting plate	1	Equivalent to SS400
②	Mounting base plate	1	Equivalent to SS400
③	Guide bushing	1	FC250 oil-free
④	Guide bar	1	S45C HRC50~60
⑤	Link block	1	Equivalent to SS400
⑥	Padding block	1	Equivalent to SS400
⑦	Cusion block	2	Urethane
⑧	Cylinder	1	Made by AIRTAC

No.	Name	Qty.	Material & remarks
⑨	Nut	1	M20
⑩	Nut	1	M24
⑪	Hexagon socket head cap bolt	4	M6
⑫	Hexagon socket head cap bolt	2	M12×35
⑬	Flat washer	1	For M20
⑭	Spring washer	1	For M24
⑮	Hexagon socket head cap bolt	2	M8×30

Stroke ST	10	20	30	40	50	60	70	80	90	100	110	120	130	140	150
Height of retainer H	40	30	20	10	—	40	30	20	10	—	40	30	20	10	—
Cylinder stroke	50					100					150				

Stroke ST	160	170	180	190	200	210	220	230	240	250
Height of retainer H	40	30	20	10	—	40	30	20	10	—
Cylinder stroke	200					250				

Catalog No.	Cylinder dia. (D)	Stroke ST 10mm increment
MALT	40	10~50
		60~100
		110~150
		160~200
		210~250

●When actual cylinder output air pressure is 500kPa, it is approx. 600×0.7= 420N.

Order

Days to Ship

Price

Alterations

Alteration	Code	Spec.
Cylinder change	S	Change to SMC cylinder

Retainer (6) For MALT40
HAMMG

Equivalent to SS400

Catalog No.	(D)	T
HAMMG	40	10
		20
		30
		40

Order

Days to Ship

Price



See the illustration for the space for casting installation.

