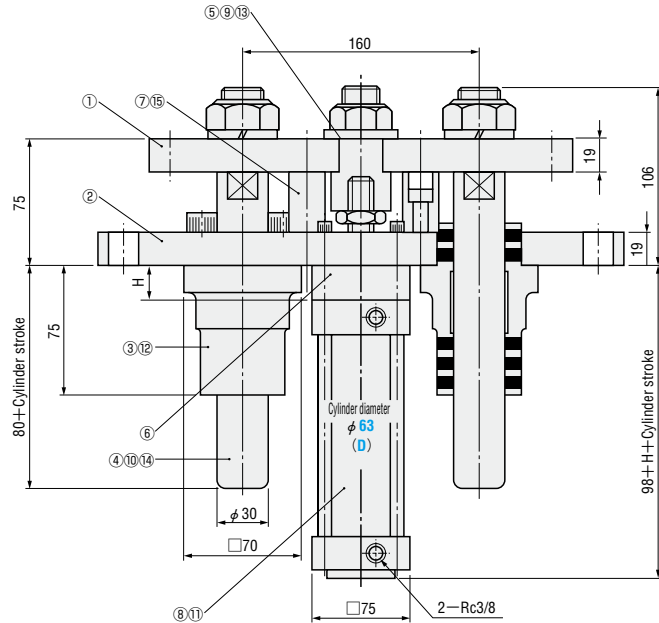
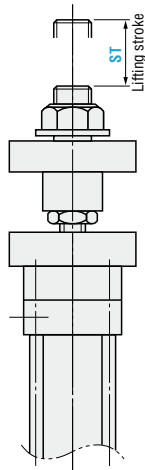
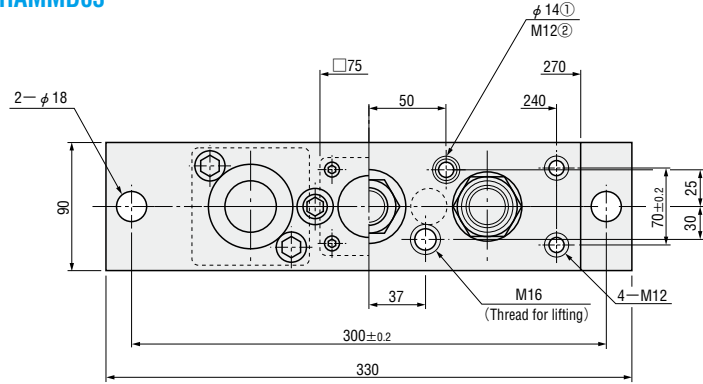


LIFTER UNITS



HAMMD63



Components list

No.	Name	Qty.	Material & remarks
①	Lifting plate	1	Equivalent to SS400
②	Mounting base plate	1	Equivalent to SS400
③	Guide bushing	2	FC250 oil-free
④	Guide bar	2	S45C HRC50 ~ 60
⑤	Link block	1	S45C
⑥	Padding block	1	Equivalent to SS400
⑦	Cusion block	2	Urethane
⑧	Cylinder	1	Made by AIRTAC

No.	Name	Qty.	Material & remarks
⑨	Nut	1	M20
⑩	Nut	2	M24
⑪	Hexagon socket head cap bolt	4	M8
⑫	Hexagon socket head cap bolt	4	M12 × 35
⑬	Flat washer	1	For M20
⑭	Spring washer	2	For M24
⑮	Hexagon socket head cap bolt	2	M8 × 30

Lifting stroke ST	10	20	30	40	50	60	70	80	90	100	110	120	130	140	150
Height of retainer H	40	30	20	10	—	40	30	20	10	—	40	30	20	10	—
Cylinder stroke	50					100					150				

Lifting stroke ST	160	170	180	190	200	210	220	230	240	250
Height of retainer H	40	30	20	10	—	40	30	20	10	—
Cylinder stroke	200					250				

Catalog No.	Cylinder dia. (D)	Lifting stroke ST 10mm increment
HAMMD	63	10~50
		60~100
		110~150
		160~200
		210~250

● Actual cylinder output
Air pressure: 500kPa
approx. 1500×0.7=1050N

Order Catalog No. (D) - ST
HAMMD 63 - 160

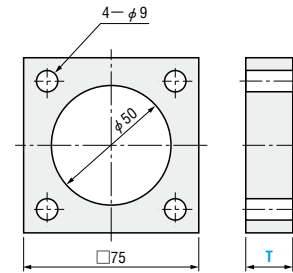
Days to Ship **Quotation**

Price **Quotation**

Alterations Catalog No. (D) - ST - (S)
HAMMD 63 - 160 - S

Alteration	Code	Spec.
Cylinder change	S	Change to SMC cylinder

Retainer (⑥) For LIFTER UNITS
HAMMG



M Equivalent to SS400

Catalog No.	(D)	T
HAMMG	63	10
		20
		30
		40

Order Catalog No. (D) - T
HAMMG 63 - 10

Days to Ship **Quotation**

Price **Quotation**

ex Example

See the illustration for the space for casting installation.

