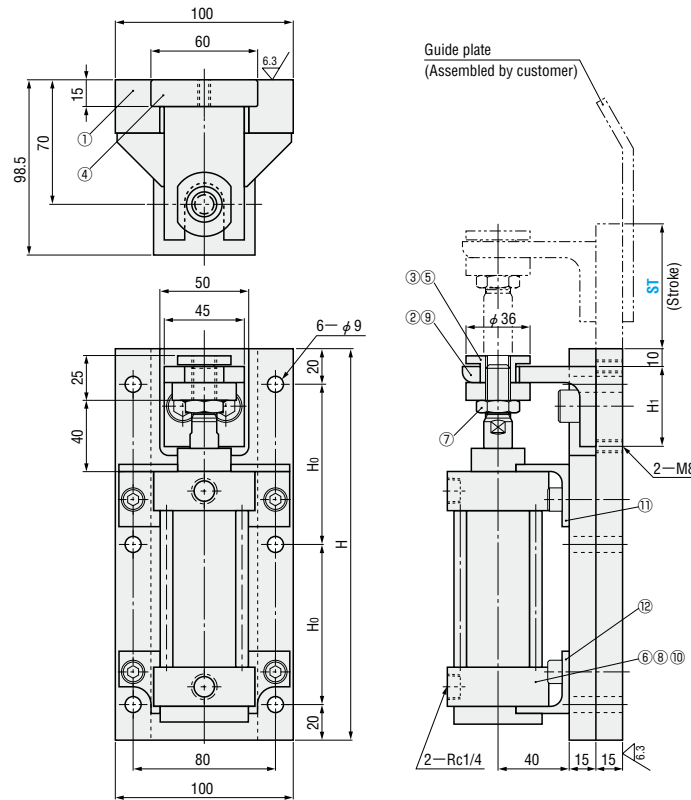


# DISAPPEARING GAUGES

—ECONOMY STRAIGHT MOVING TYPE—



DGF



■ Components

No.	Name	Quantity	Remarks
①	Pressing plate	1	S45C
②	Bracket	1	Equivalent to SS400
③	Link block	1	Equivalent to SS400
④	Slide plate	1	S45C
⑤	Spring pin	1	φ 3×45
⑥	Cylinder	1	AIRTAC

No.	Name	Quantity	Remarks
⑦	Nut	1	M14
⑧	Hexagon socket head cap bolt	4	M8×20
⑨	Hexagon socket head cap bolt	2	M12×20
⑩	Spring washer	4	M8
⑪	Angle	1	Equivalent to SS400
⑫	Angle	1	Equivalent to SS400

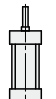
H	H <sub>0</sub>	H <sub>1</sub>	Weight (kg)	Catalog No.	ST
220	90	25	11.2	DGF	50
270	115	45	13.5		100
320	140	95	16.0		150
370	165	145	18.7		200

Order  Catalog No. **DGF** ST **100**

Alterations  Catalog No. **DGF** ST **100** - (S) **S**

Days to Ship  **Quotation**

Price  **Quotation**

Alteration	Code	Spec.
Cylinder change 	<b>S</b>	Change to SMC cylinder

■ When using

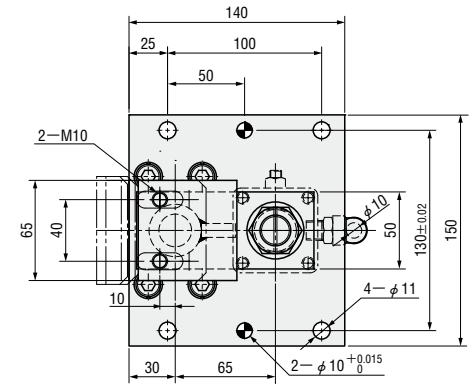
- Use disappearing gauges "DGF" to the positioning of drawing die feed plate.
- It is simple type without baseplate and it is necessary to apply lubrication oil when being used.
- The bolt holes on slide plate (④) is already tapped (Dimension H<sub>1</sub>) to facilitate the installation of disappearing gauge.

# DISAPPEARING GAUGES

—REGULAR STRAIGHT MOVING TYPE—

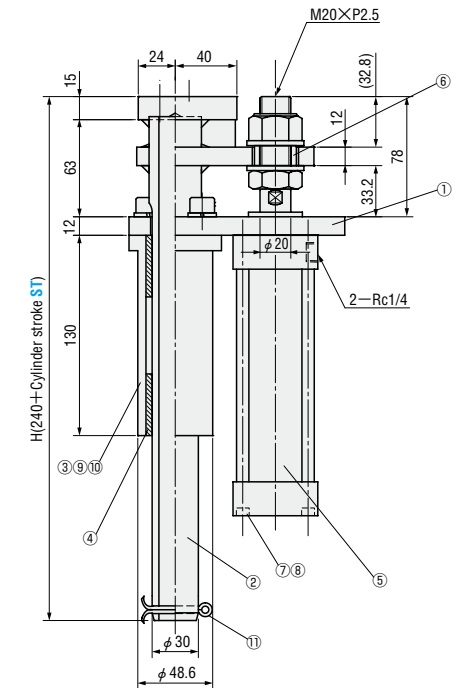


DACG




■ Components

No.	Name	Quantity	Remarks
①	Baseplate	1	Equivalent to SS400
②	Guide post	1	S45C (HF induction hardening)
③	Guide bushing holder	1	Equivalent to SS400
④	Oil-free guide bushing	2	Copper alloy (Oil-free)
⑤	Cylinder	1	AIRTAC
⑥	Link block	1	SS400
⑦	Flat washer	2	M20
⑧	Nut	1	M20
⑨	Hexagon socket head cap bolt	4	M10 × 25
⑩	Spring washer	4	M10
⑪	Split pin	1	φ 5 × 40



H	Weight (kg)	Catalog No.	Cylinder stroke ST
340	6.7	DACG	100
390	7.1		150
440	7.4		200

Alterations  Catalog No. **DACG** ST **150** - (S) **S**

Alteration	Code	Spec.
Cylinder change 	<b>S</b>	Change to SMC cylinder

Order  Catalog No. **DACG** ST **150**

Days to Ship  **Quotation**

Price  **Quotation**

LOCATING COMPONENTS FOR AUTOMOTIVE DIES