


RETAINER PIN SETS

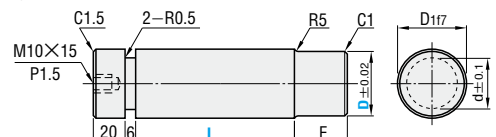


No.	Catalog No.	Parts list	M	H	S
①	CSPSP	Retainer pin (single groove type)	S45C	20~25 HRC	Black oxide (Fe ₃ O ₄)
②	CSPWP	Retainer pin (double grooves type)			
③	SPP	Round hole stopper	SS400	—	Black oxide (Fe ₃ O ₄)
④	CSPT	Oblong hole stopper			
⑤	CST-N	Spring lock stopper	For details, page at right.		

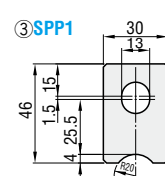
Single groove type

P-CSPS (①CSPSP + ③SPP sets)

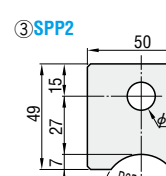
①CSPSP



③SPP1



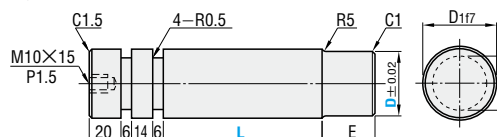
③SPP2



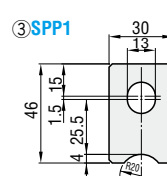
Double grooves type

P-CSPW (②CSPWP + ③SPP sets)

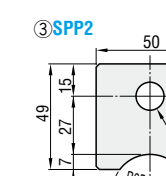
②CSPWP



③SPP1



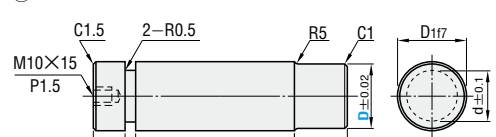
③SPP2



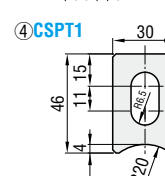
Oblong hole stopper type

CSPS (①CSPSP + ④CSPT sets)

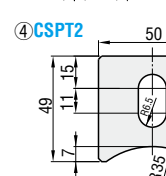
①CSPSP



④CSPT1



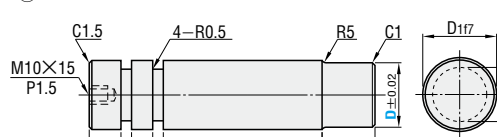
④CSPT2



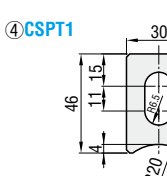
Oblong hole stopper type

CSPW (②CSPWP + ④CSPT sets)

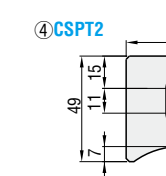
②CSPWP



④CSPT1



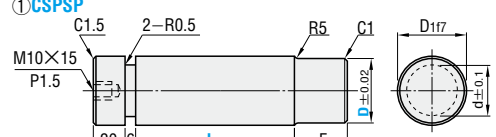
④CSPT2



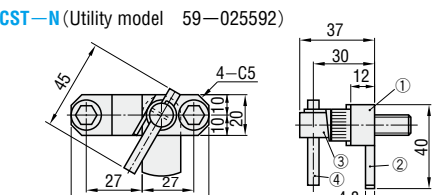
Spring lock stopper type

CSPST (①CSPSP + ⑤CST-N sets)

①CSPSP



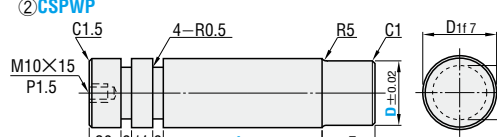
⑤CST-N (Utility model 59-025592)



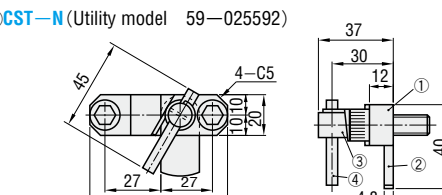
Spring lock stopper type

CSPWT (②CSPWP + ⑤CST-N sets)

②CSPWP



⑤CST-N (Utility model 59-025592)



D	D ₁₇	d	E	S	⑤ Maximum allowable load N (kgf) (Safety coefficient 1)	Static load N (kgf) (Safety coefficient 3)	Repeated load N (kgf) (Safety coefficient 5)	Alternating load N (kgf) (Safety coefficient 6)	Impact load N (kgf) (Safety coefficient 12)	Catalog No.	Base unit price 1 ~ 19 pieces									
											Type	D-L	Single groove type				Double grooves type			
													CSPSP	P-CSPS	CSPS	CSPST	CSPWP	P-CSPW	CSPW	CSPWT
20	22	-0.020 -0.041	14	27	37167 { 3790}	12356 { 1260}	7453 { 760}	4609 { 470}	3138 { 320}	Single groove type (Pin only) CSPSP (Set) P-CSPS CSPS CSPST	20-40									
											60									
											80									
30	32	-0.025 -0.050	22	31	125427 (12790)	41776 { 4260}	25105 { 2560}	15691 { 1600}	10493 { 1070}	(Set) P-CSPS CSPS CSPST	30-60									
											80									
											100									
40	42	-0.030 -0.060	30	35	253600 (25860)	84533 { 8620}	50700 { 5170}	31675 { 3230}	21182 { 2160}	Double grooves type (Pin only) CSPWP (Set) P-CSPW CSPW CSPWT	40-60									
											80									
											100									
50	52	-0.030 -0.060	40	40	495334 (50510)	165144 { 16840}	99047 { 10100}	61880 { 6310}	41286 { 4210}	(Pin only) CSPWP (Set) P-CSPW CSPW CSPWT	50-80									
											100									
											120									
60	62	-0.030 -0.060	50	45	727751 (74210)	242617 { 24740}	145531 { 14840}	91006 { 9280}	60703 { 6190}	(Set) P-CSPW CSPW CSPWT	60-100									
											120									
											140									
70	72	-0.030 -0.060	60	50	990570 (101010)	330190 { 33670}	198094 { 20200}	123858 { 12630}	82572 { 8420}	(Set) P-CSPW CSPW CSPWT	70-120									
											140									
											160									

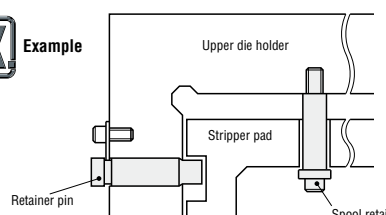
Quotation

• Load [kgf] = Load [N] × 0.101972

Order Catalog No.
CSPWT 30-80
P-CSPS 50-120

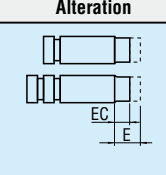
Price Quotation
For larger orders, ask about prices/delivery.

Example



Days to Ship Quotation

Alterations Catalog No. - (EC)
P-CSPS 30-80 - EC21
Quotation

Alteration	Code	Spec.	1Code	
	EC	E dimension change 1mm increments	Quotation	
		D		EC
		20		21~24
		30		25~29
		40		25~34

Stoppers for retainer pins

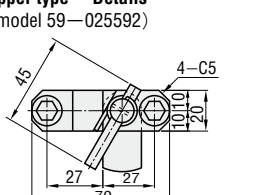
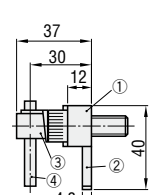
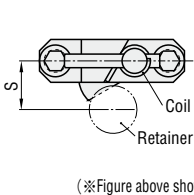
D (Applicable retainer pins)	Catalog No.	Base unit price 1~19 pieces
20・30・40	Round hole type SPP	1
	Oblong hole type CSPT	2
50・60・70	Round hole type SPP	1
	Oblong hole type CSPT	2
All sizes	Spring lock type CST-N	Quotation

Order Catalog No.
SPP 2
CSPT 1
CST-N

Price Quotation

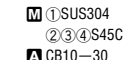
Days to Ship Quotation

⑤ Spring lock stopper type —Details— CST-N (Utility model 59-025592)

※Figure above shows a case when installed onto the retainer pin.

- Because the retainer pin is locked by the force of the spring, it can be securely locked in place simply by operating the lever with one hand.
- Stoppers can be mounted in any position.


 ① SUS304
 ② ③ ④ S45C
 ⑤ CB10-30