
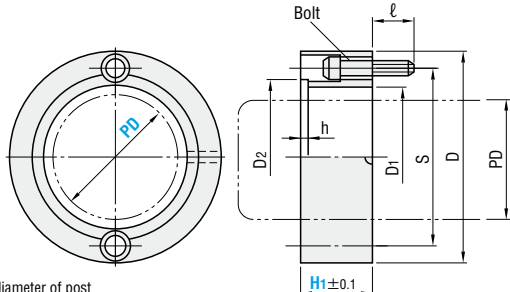


# STROKE END BLOCKS




RoHS

① CEB (End block)

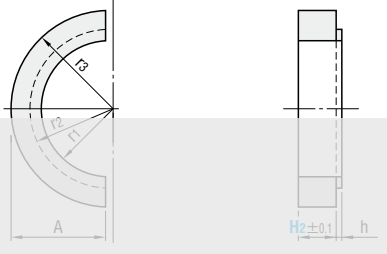


PD: Outside diameter of post  
M SS400  
A 2 bolts



RoHS

② CSB (Stock block)



M SS400

This product was discontinued in 2017.

PD	D	D <sub>1</sub>	D <sub>2</sub>	S	h	r <sub>1</sub>	r <sub>2</sub>	r <sub>3</sub>	A	Bolt	ℓ
25	46	31.5	37	2	15	20.5	22.5	20	22	M4×P0.7	10
32	56	41	45	2	15	20.5	22.5	20	27	M4×P0.7	10
38	72	49	56	60	3	24.5	28	36	35	M5×P0.8	10
50	86	62	68	72	3	31	34	43	42	M6×P1.0	10
60	112	76	84	92	3	38	42	56	55	M8×P1.25	12
80	140	100	108	116	3	50	54	70	69	M8×P1.25	12

Catalog No. : CEB CSB EBS EBW

■ End blocks

Catalog No. Type	PD	H <sub>1</sub> 5mm increments	Color	Base unit price 1 ~ 9 pieces
① CEB	25	10 ~ 50	R (Red)	Quotation
	32	10 ~ 50		
		55 ~ 60		
	38	15 ~ 50		
		55 ~ 70		
	50	20 ~ 50	Y (Yellow)	
		55 ~ 80		
60	20 ~ 50			
	55 ~ 80			
80	20 ~ 50			
	55 ~ 80			

■ Stock blocks

Catalog No. Type	PD	H <sub>2</sub> 5mm increments	Color	Base unit price 1 ~ 9 pieces
② CSB	25	10 ~ 20	R (Red)	Quotation
		25 ~ 40		
		10 ~ 20		
	32	25 ~ 40		
		10 ~ 20		
	38	25 ~ 50		
		10 ~ 20		
	50	25 ~ 50		
		10 ~ 20		
	60	25 ~ 50		
		10 ~ 20		
	80	25 ~ 50		
10 ~ 20				

Order Catalog No. — H<sub>1</sub> — Color (R·Y)  
CEB 32 — 35 — R

Days to Ship Quotation

Price Quotation

Catalog No. Type	PD	① CEB (End block)		② CSB (Stock block)		Base unit price 1 ~ 9 sets		
		H <sub>1</sub> 5mm increments	Color	H <sub>2</sub> 5mm increments	Color	EBW	EBS	
EBS (① CEB + ② CSB 1 piece) Set product	25	10 ~ 50	R (Red) Y (Yellow)	10 ~ 20	R (Red)			
		10 ~ 50		25 ~ 40				
	32	10 ~ 50		10 ~ 20				
		55 ~ 60		25 ~ 40				
	38	15 ~ 50		10 ~ 20				
		55 ~ 70		25 ~ 50				
50	20 ~ 50	10 ~ 20		Y (Yellow)	25 ~ 50	Y (Yellow)		
	60	55 ~ 80			10 ~ 20		25 ~ 50	
60		20 ~ 50			10 ~ 20		10 ~ 20	
	80	55 ~ 80			10 ~ 20		25 ~ 50	
80		20 ~ 50			10 ~ 20		10 ~ 20	
	80	55 ~ 80			10 ~ 20		25 ~ 50	

Quotation

The guide post sets must be machined so that the blocks can be attached. P.944

Order Catalog No. — ① — ② —  
Type PD H<sub>1</sub> Color (R·Y) H<sub>2</sub> Color (R·Y)  
EBS 38


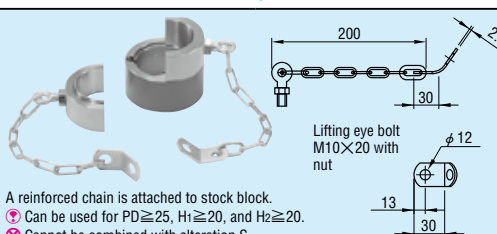
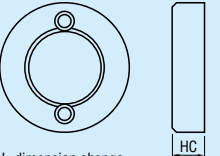
This product was discontinued in 2017.

Days to Ship Quotation

Catalog No. : CEB CSB EBS EBW

Price Quotation

Alterations Catalog No. — ① — ② — (S·RS·HC)  
EBW 38 — 40R — 40—Y — S—HC38  
CSB 50 — 35—Y — RS

Alteration Code	Machining for chain attachment	Machining for reinforced chain (RSC) attachment	H <sub>1</sub> dimension change																																																								
	S	RS	HC																																																								
Spec.	 <p>End block and stock block are connected by a chain.</p>	 <p>A reinforced chain is attached to stock block.                      * Can be used for PD ≥ 25, H<sub>1</sub> ≥ 20, and H<sub>2</sub> ≥ 20.                      * Cannot be combined with alteration S.</p>	 <p>H<sub>1</sub> dimension change                      H<sub>1</sub> min. &lt; HC &lt; H<sub>1</sub> max.                      1mm increments                      * Cannot be used for CSB.</p>																																																								
1Code	<table border="1"> <tr><th>PD No.</th><th>EBW</th><th>EBS</th></tr> <tr><td>25</td><td></td><td></td></tr> <tr><td>32</td><td></td><td></td></tr> <tr><td>38</td><td></td><td></td></tr> <tr><td>50</td><td></td><td></td></tr> <tr><td>60</td><td></td><td></td></tr> <tr><td>80</td><td></td><td></td></tr> </table>	PD No.	EBW	EBS	25			32			38			50			60			80			<table border="1"> <tr><th>PD No.</th><th>EBW</th><th>CSB·EBS</th></tr> <tr><td>25</td><td></td><td></td></tr> <tr><td>32</td><td></td><td></td></tr> <tr><td>38</td><td></td><td></td></tr> <tr><td>50</td><td></td><td></td></tr> <tr><td>60</td><td></td><td></td></tr> <tr><td>80</td><td></td><td></td></tr> </table>	PD No.	EBW	CSB·EBS	25			32			38			50			60			80			<table border="1"> <tr><th>PD No.</th><th>CEB·EBS·EBW</th></tr> <tr><td>25</td><td></td></tr> <tr><td>32</td><td></td></tr> <tr><td>38</td><td></td></tr> <tr><td>50</td><td></td></tr> <tr><td>60</td><td></td></tr> <tr><td>80</td><td></td></tr> </table>	PD No.	CEB·EBS·EBW	25		32		38		50		60		80	
PD No.	EBW	EBS																																																									
25																																																											
32																																																											
38																																																											
50																																																											
60																																																											
80																																																											
PD No.	EBW	CSB·EBS																																																									
25																																																											
32																																																											
38																																																											
50																																																											
60																																																											
80																																																											
PD No.	CEB·EBS·EBW																																																										
25																																																											
32																																																											
38																																																											
50																																																											
60																																																											
80																																																											

Quotation

For chain RSC of alteration RS, P.970.