

SPACERS FOR GUIDE POST SETS

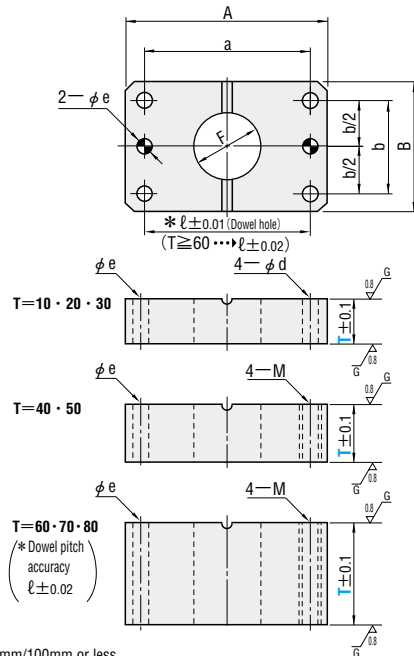
—CAST TYPE—

RoHS

Spacers for guide bushings

MGBPS (For plain types, with dowel holes)

MABPS (For ball types, with dowel holes)



- Flatness of plate thickness: 0.02mm/100mm or less
- Draft angle (2~3°) for casting is present in the direction of height T.

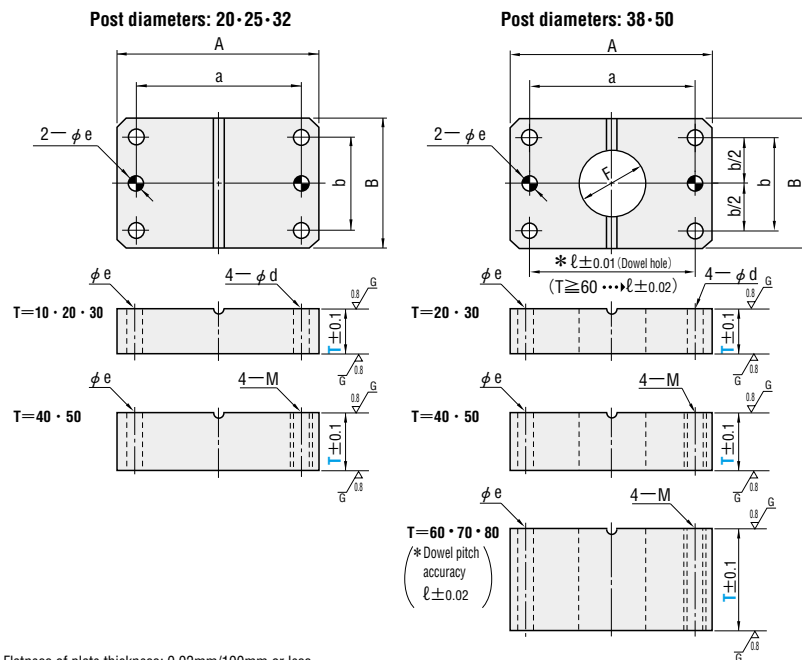
FC250



RoHS

Spacers for guide holders

MGHPS (With dowel holes)



- Flatness of plate thickness: 0.02mm/100mm or less
- Draft angle (2~3°) for casting is present in the direction of height T.

FC250



Post diameter	A	B	a	b	d	M	F			*For ℓ±0.01 (* T60·70·80, ℓ±0.02)	eH7	T
							MGBPS	MABPS	MGHPS			
20	74	44	56	30	6.6	6	22	28	—	56	6	10 20 30 40
25	84	48	66	30	9	8	28	34	—	66	8	10 20 30 40 50
32	100	58	76	36	11	10	34	42	—	76	8	10 20 30 40 50
38	130	75	100	44	11	10	42	52	32	100	10	20 30 40 50 60 70 80
50	155	90	125	60	14	12	52	62	45	125	10	20 30 40 50 60 70 80

Catalog No.		T
Type	Post diameter	
For plain type bushings	MGBPS	10 20 30 40
		25 10 20 30 40 50
For ball type bushings	MABPS	32 10 20 30 40 50
For holders	MGHPS	38 20 30 40 50 60 70 80
		50 20 30 40 50 60 70 80



Order

Catalog No. — T

MGBPS 20 — 30



Days to Ship

Quotation



Price

Quotation



Example

