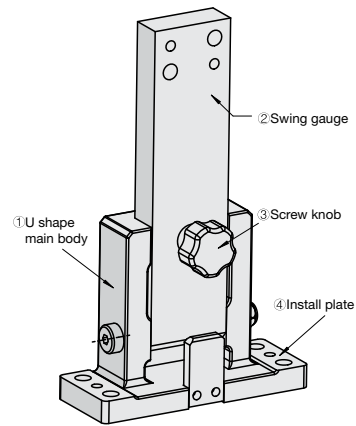


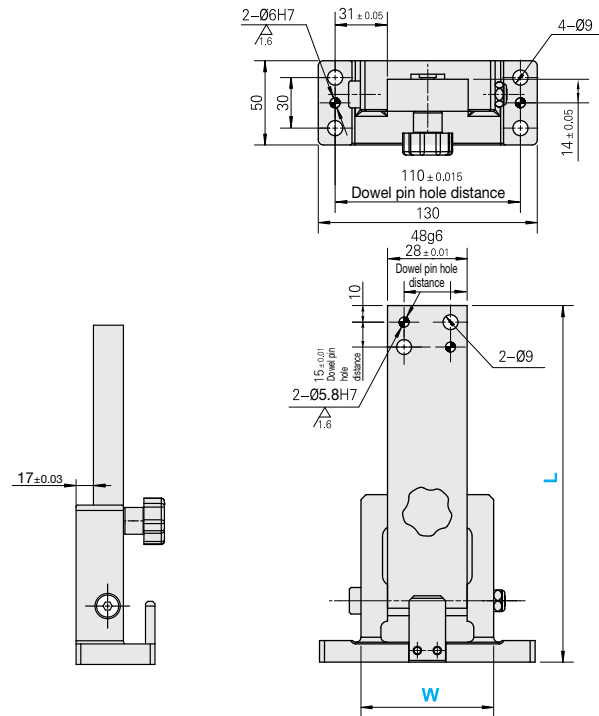
U SHAPE CASTING STEEL VERTICAL FLIP COMPONENTS -LARGE TYPE / SMALL TYPE-

Large type

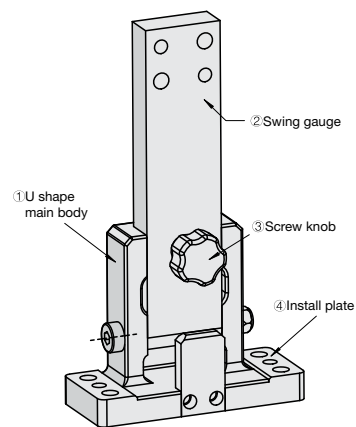


No.	Name	Material	Surface treatment
①	U shape main body	S35C	Nickel coating
②	Swing gauge	S35C	Nickel coating
③	Screw knob	PP	—

UZGLM80

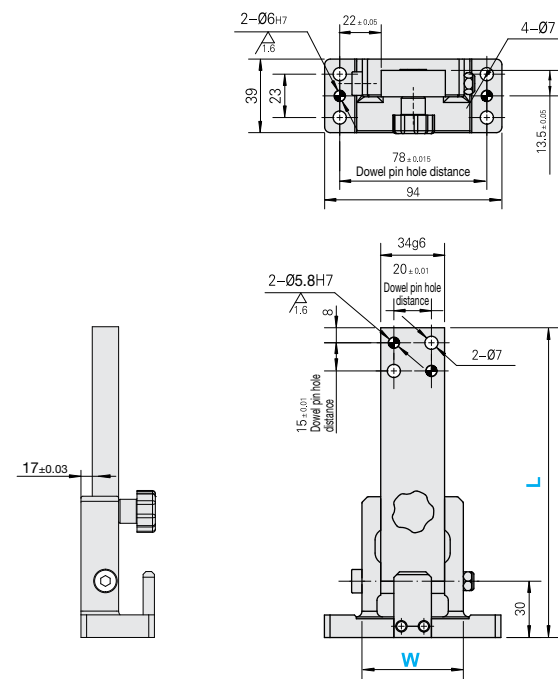


Small type



No.	Name	Material	Surface treatment
①	U shape main body	S35C	Nickel coating
②	Swing gauge	S35C	Nickel coating
③	Screw knob	PP	—

UZGLM54



Vertical / Horizontal	Main material	Locking type	Catalog No.		Height (L)
			Type	Width (W)	
Vertical	S35C	Screw type	UZGLM	54	165
				80	195
					215
					255

Order —

Delivery **Quotation**

Alterations

	Alterations	Code	Spec.
No hole for swing gauge		NBB	No hole for swing gauge (No heat treatment)
Change length for swing gauge		LC	Possible alteration length 165 < L < 225 (1mm Increment)