
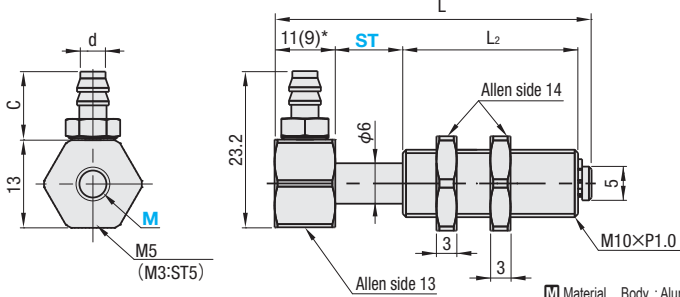

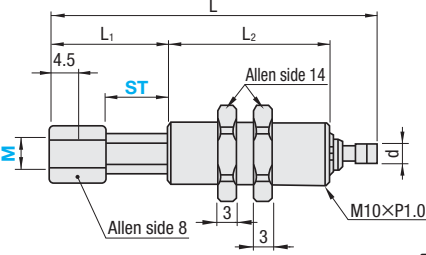

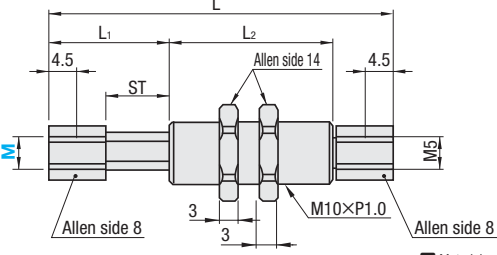


SUCTION BRACKET

<p>■ L-shaped Outlet Type</p> 	<p>VC-KNGM</p>  <p>Dimension in "()" only applicable to Part Number: VC-KNGM3-ST5</p> <p>Material Body : Aluminum Fitting: Brass</p>
<p>■ Vertical Outlet Nozzle Type</p> 	<p>VC-KNGM-U</p>  <p>Material Body : Aluminum Fitting: Brass</p>
<p>■ Vertical Outlet M Screw Type</p> 	<p>VC-KNGM-UM</p>  <p>Material Body : Aluminum Fitting: Brass</p>


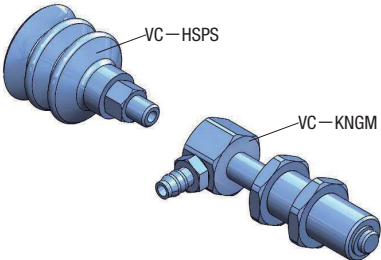
Applicable cup	Applicable tube Outer×Inner	Weight (g) ¹	L	L1	L2	d	C	M×P	Vacuum outlet direction	Outlet Type	Part Number		Stroke ST	Anti-Rotation	Unit Price (1~10 pcs)	
											Type	M			Normal Type	Anti-Rotation
VC-SPS VC-RSPS VC-HSPS	4×2.5	20	35	-	19	2.5	8.5	M3×P0.5	L-shaped outlet	Nozzle	VC-KNGM	3	5	— (No)	Quotation	
	6×4	22	49	-	26	4	10.2	M5×P0.8				5	10			
	6×4	28	74	-	41	4	10.2	M5×P0.8	5	20						
	4×2.5	17	40.7	14	19	2.5	-	M3×P0.5	Vertical outlet	M thread	VC-KNGM-U	3	5			
	6×4	16	54.7	19	26	4	-	M5×P0.8				5	10			
	-	26	79.7	29	41	4	-	M5×P0.8				5	20			
-	20	42.4	14	19	M5	-	M3×P0.5	3				5				
-	18	42.4	14	19	M5	-	M5×P0.8	5	5							
-	20	54.4	19	26	M5	-	M5×P0.8	5	10							
-	24	79.4	29	41	M5	-	M5×P0.8	5	20							

Compatible suction cup **P.155** *1 The weight is an approximate value which serves only as a guideline.

 Order **Part Number** — **Stroke ST** — **Anti-Rotation**  Days to Ship **Quotation**  Price **Quotation**

VC-KNGM5 — ST10 — P
 VC-KNGM-U5 — ST20 —

Example

Suction brackets can be connected with a tube.