
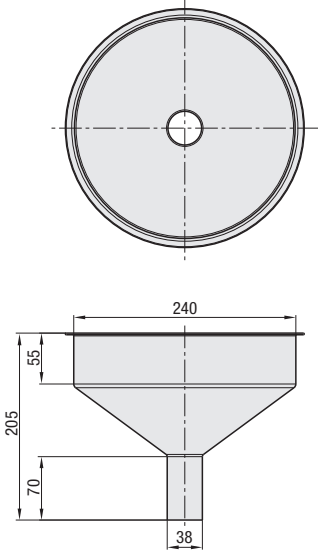


STAINLESS STEEL HOPPER / PLASTIC HOPPER

■ Stainless Steel Hopper



M-SUSH-1



Material: SUS304

Volume	Diameter	Height	Foot outer dia.	Foot inner dia.	Part Number	Unit Price
						1~3 pcs
4ℓ	240	205	38	35	M-SUSH-1	Quotation

■ Features

- A simple hopper ideal for manufacturing in small quantities and manufacturing samples.
- This product can be used immediately by replacing it, without needing to clean the inside of the existing hopper.



Order

Part Number


M-SUSH-1



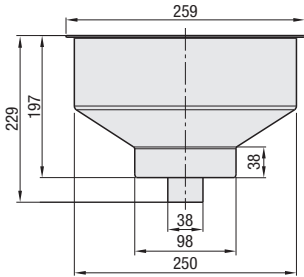
Days to Ship

[Quotation](#)

■ Plastic Hopper



M-ECH-1



Material: High-density polyethylene

Volume	Diameter	Height	Foot diameter	Part Number	Unit Price
					1~3 pcs
5ℓ	259	229	38	M-ECH-1	Quotation

■ Features

- Can be used for changing colors.
- Equipped with a fall prevention magnet.



Order

Part Number

M-ECH-1



Days to Ship

[Quotation](#)



Price

[Quotation](#)

