


SUCTION METAL FITTING

-CYLINDER TYPE / THREAD TYPE-

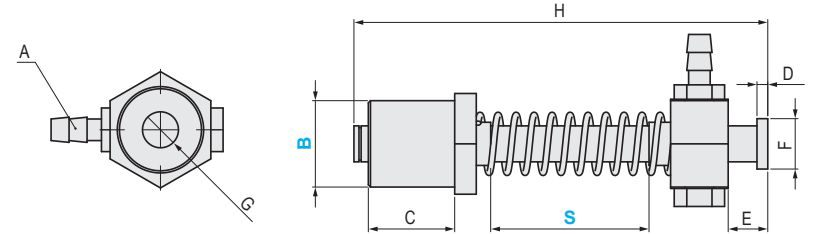


■ Cylinder Type



M Material	S Surface treatment
Aluminum	Anodizing

4PACK—MVFS



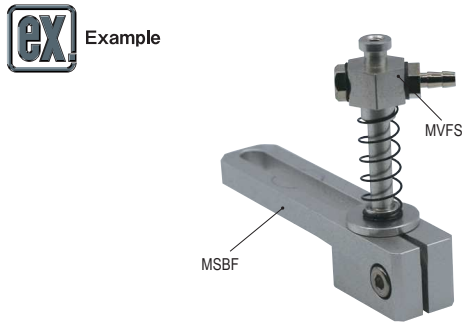
⚠ This is a connection component of suction cup and is used for the design and installation of embedded suction cup.
 ⚠ The surface is anodized, and the color of the actual product may vary from that in the picture.

Part Number		S	B	A	C	D	E	F	G	H	Weight (g)
Type	Size										
4PACK—MVF	S	10	12	CF-6	18	2	5.5	7	3.4	49.5	14
		20	12	CF-6	18	2	5.5	7	3.4	61.5	14


Order **Part Number** — **S** — **B**
 4PACK—MVFS — 10 — 12

Days to Ship **Quotation**

Price **Quotation**

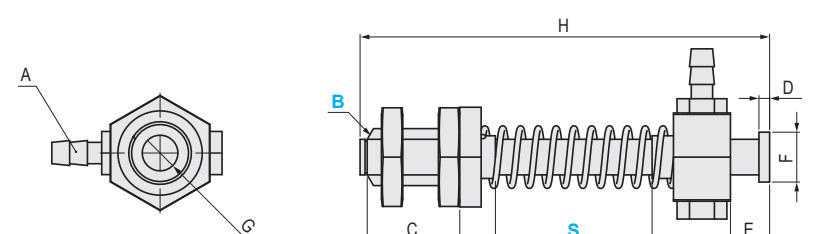


■ Thread Type



M Material	S Surface treatment
Aluminum	Anodizing

4PACK—MVFST



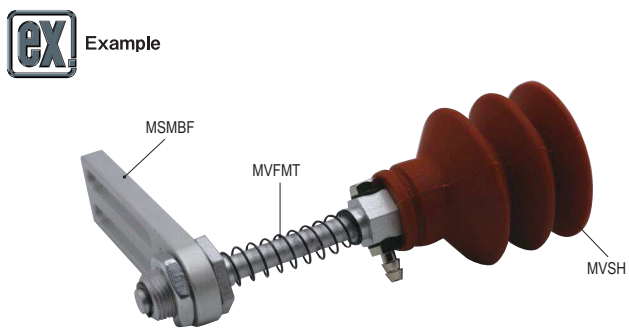
⚠ This is a connection component of suction cup and is used for the design and installation of embedded suction cup.
 ⚠ The surface is anodized, and the color of the actual product may vary from that in the picture.

Part Number			S	B	A	C	D	E	F	G	H	Weight (g)
Type	Size	With or without thread										
4PACK—MVF	S	T	5	M10	CF-6	12	2	5.5	7	3.4	38.5	14
		(With thread)	10	M10	CF-6	12	2	5.5	7	3.4	44.5	15

Order **Part Number** — **S** — **B**
 4PACK—MVFST — 5 — M10

Days to Ship **Quotation**

Price **Quotation**



SUCTION METAL FITTING

-CYLINDER TYPE / THREAD TYPE-



■ Cylinder Type

M Material	S Surface treatment
Aluminum	Anodizing

4PACK—MVFM

⚠ This is a connection component of suction cup and is used for the design and installation of embedded suction cup.
⚠ The surface is anodized, and the color of the actual product may vary from that in the picture.

Part Number		S	B	A	C	D	E	F	G	H	Weight (g)
Type	Size										
4PACK—MVF	M	10	12	CF-6	21	2	9	11	4.6	58	16
		20	12	CF-6	21	2	9	11	4.6	70	18



Order

Part Number — S — B
4PACK—MVFM — 10 — 12



Price

Quotation



Days to Ship

Quotation

■ Thread Type

M Material	S Surface treatment
Aluminum	Anodizing

4PACK—MVFMT

⚠ This is a connection component of suction cup and is used for the design and installation of embedded suction cup.
⚠ The surface is anodized, and the color of the actual product may vary from that in the picture.

Part Number			S	B	A	C	D	E	F	G	H	Weight (g)
Type	Size	With or without thread										
4PACK—MVF	M	T (With thread)	5	M12	CF-6	15	2	9	11	4.6	46	20
			10	M12	CF-6	15	2	9	11	4.6	53	21
			20	M12	CF-6	15	2	9	11	4.6	65	22



Order

Part Number — S — B
4PACK—MVFMT — 5 — M12



Price

Quotation



Days to Ship

Quotation

REMOVAL RELATED PRODUCTS