



Adapters for Suction Cup

M Material	S Surface treatment
Aluminum	Anodizing

4PACK—MVM

M8
G1/8

A-A view

⚠ This is used to connect the suction cup and the metal fitting.
⚠ The surface is anodized, and the color of the actual product may vary from the product picture.

Part Number	Applicable suction cup type	
4PACK—MVM—G18—M8	MVSA—33-MVSA—63	

Order

Part Number
4PACK—MVM—G18—M8

Days to Ship

Price

Quotation

Quotation

Suction Cup Base

M Material	S Surface treatment
Aluminum	Anodizing

4PACK—MVM04

G1/4

A-A view

⚠ This is used to connect the suction cup and the metal fitting.
⚠ The surface is anodized, and the color of the actual product may vary from the product picture.

Suction Cup Base

M Material	S Surface treatment
Aluminum	Anodizing

4PACK—MVM02

G1/8

A-A view

⚠ This is used to connect the suction cup and the metal fitting.
⚠ The surface is anodized, and the color of the actual product may vary from the product picture.

Part Number	No.	Applicable suction cup type	
4PACK—MVM02	G18	MVSA—11-MVSA—24	
4PACK—MVM04	G14	MVSA—33-MVSA—63	

Order

Part Number — **No.**
4PACK—MVM02 — **G18**


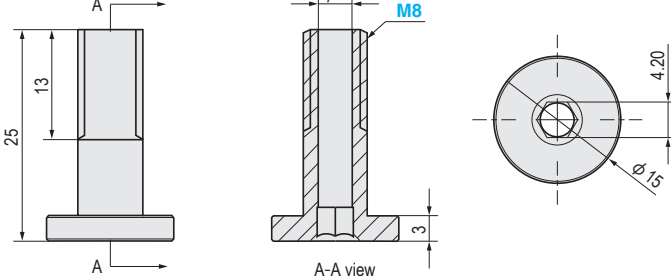

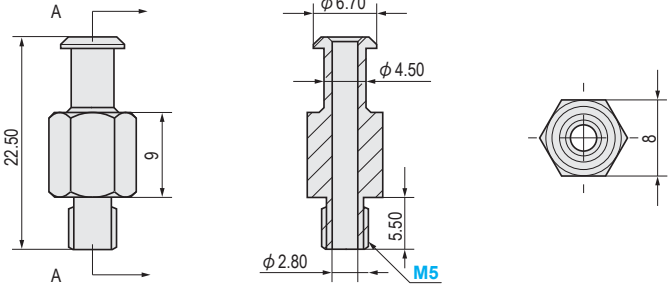
Days to Ship

Price



Quotation


Quotation




<p>■ Suction Cup Base</p>  <table border="1" data-bbox="196 596 506 646"> <tr> <td>M Material</td> <td>S Surface treatment</td> </tr> <tr> <td>Aluminum</td> <td>Anodizing</td> </tr> </table>	M Material	S Surface treatment	Aluminum	Anodizing	<p>4PACK—MVM08</p>  <p>ⓘ This is used to connect the suction cup and the metal fitting. ⓘ The surface is anodized, and the color of the actual product may vary from the product picture.</p>
M Material	S Surface treatment				
Aluminum	Anodizing				
<p>■ Suction Cup Base</p>  <table border="1" data-bbox="196 989 506 1039"> <tr> <td>M Material</td> <td>S Surface treatment</td> </tr> <tr> <td>Aluminum</td> <td>Anodizing</td> </tr> </table>	M Material	S Surface treatment	Aluminum	Anodizing	<p>4PACK—MVM18</p>  <p>ⓘ This is used to connect the suction cup and the metal fitting. ⓘ The surface is anodized, and the color of the actual product may vary from the product picture.</p>
M Material	S Surface treatment				
Aluminum	Anodizing				

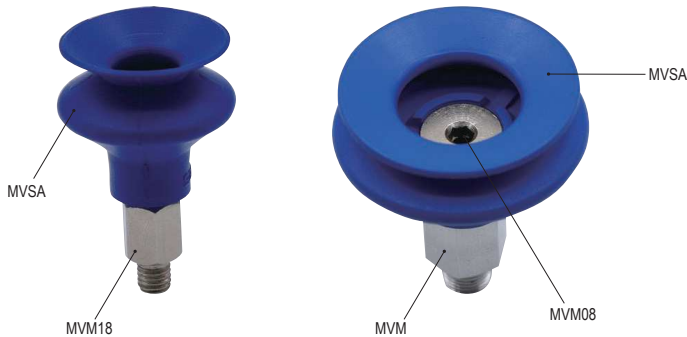
Part Number	No.	Applicable suction cup type
4PACK—MVM18	M5	MVSA—11-MVSA—24
4PACK—MVM08	M8	MVSA—33-MVSA—63

 Order **Part Number** 4PACK—MVM18 — **No.** M5  Price **Quotation**

 Days to Ship **Quotation**

 Example

Assembly Drawing



REMOVAL RELATED PRODUCTS