

NEW

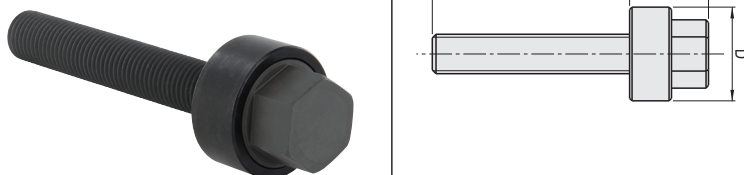
HIGH TORQUE BOLT

HIGH TORQUE NUT

HIGH TORQUE BOLT / HIGH TORQUE NUT

High Torque Bolt

M-HTB



M Material : Special steel
 Heat treatment: Complete product quenching
 Finish : Abrasion resistance treatment
 Surface hardness (HRC 60 to 65)

- Features**
- A bolt that can tighten with about half the force of conventional products and loosen with about 1/3 the force.
 - High torque bolt can tighten by anyone with the same force when a high torque wrench is used.

Size	L	H	D	I	Standard tightening force (N·m)	Applicable high torque wrench	Part Number		Unit Price 1~4 pcs	
							Type	No.		
M12	97	27	32	70	35	M-HTWF1235	M-HTB		Quotation	
	100			70						
M16	110	30	38	80	90	M-HTWF1690 M-HTWA1690				1270
	120			90						1670
	130			100						1680
M20	138	38	46	100	180	M-HTWF20180				1690
	148			110						16100
	158			120						20100
								20110		
							20120			

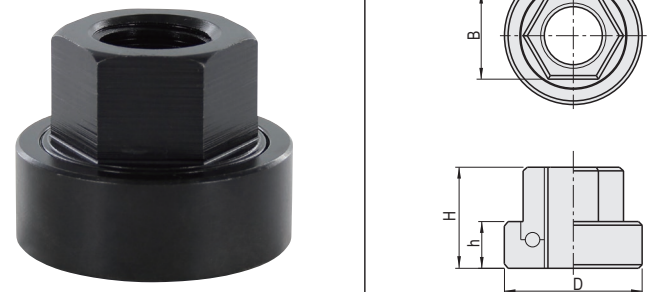
Order **Part Number** **M-HTB1270** Days to Ship **Quotation**

Price **Quotation**

- Precautions for use**
- When tightening the high torque bolt without using a high torque wrench, it is adequate to tighten by about 90° from the place where it stopped after the bolt is tightened by hand. Excessive tightening can cause breakage and is extremely dangerous.

High Torque Nut

M-HTN



M Material : Special steel
 Heat treatment: Complete product quenching
 Finish : Black dye

- Features**
- A nut that can tighten with about half the force of conventional products and loosen with about 1/3 the force.
 - High torque bolt can tighten by anyone with the same force when a high torque wrench is used.
 - Due to the effect of the built-in balls, the nut is tightened only by the rotational friction of the balls while the box is stationary, the most of the tightening torque is converted to tightening force, achieving a powerful tightening force.

Size	H	D	Standard tightening force (N·m)	B	h	Applicable high torque wrench	Part Number		Unit Price 1~4 pcs
							Type	No.	
M12	23.3	31	35	19	11.3	M-HTWF1235	M-HTN		12
M16	27.9	37	90	24	12.9	M-HTWF1690 M-HTWA1690			16
									20
M20	34.5	45	180	30	15.2	M-HTWF20180		Quotation	

Order **Part Number** **M-HTN12** Days to Ship **Quotation**

Price **Quotation**

- Precautions for use**
- When tightening the high torque bolt without using a high torque wrench, it is adequate to tighten by about 90° from the place where it stopped after the bolt is tightened by hand. Excessive tightening can cause breakage and is extremely dangerous.

INJECTION MOLDING
MACHINE RELATED PRODUCTS