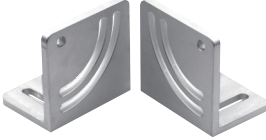




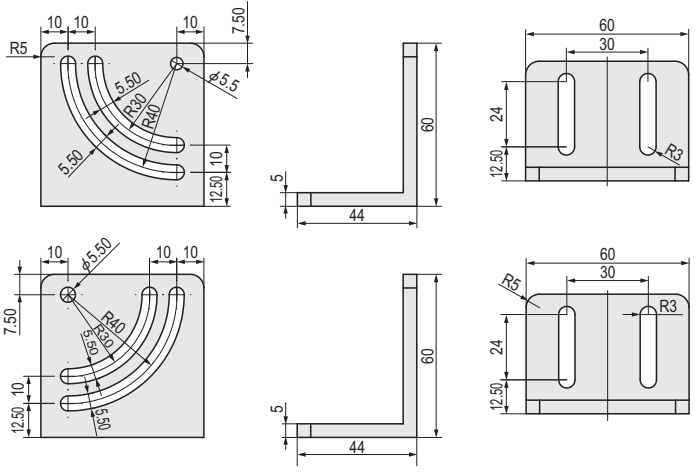
GAS CUT BRACKET / GAS CUT FIXATION

# GAS CUT MOUNTING BRACKET / GAS CUT FIXING BRACKET

**Gas Cut Mounting Bracket**



**MSCE4-NR**



Part Number	Weight (g)	Applicable tool holder	
<b>MSCE4-NR</b>	65.5	MNGT-NR20	MNGT-NR30

\*L.G Paired Sales



Order

Part Number  
**MSCE4-NR**



Example



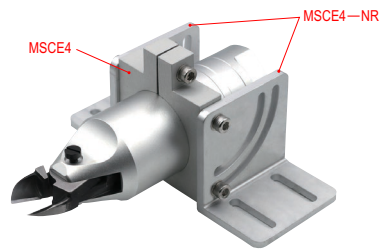
Days to Ship

**Quotation**




Price

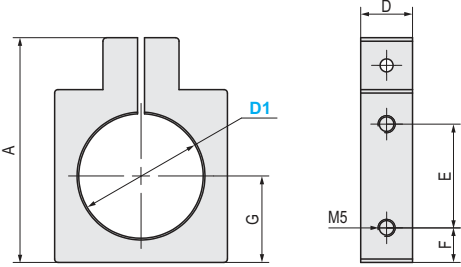
**Quotation**



**Gas Cut Fixing Bracket**



**MSCE4**



Part Number	D1	A	D	E	F	G	Weight (g)
<b>MSCE4</b>	45	75	10	40	10	30	93
	56	85	10	40	10	35	111



Order

Part Number — D1  
**MSCE4 — 45**



Price

**Quotation**



Days to Ship

**Quotation**