

**NEW**

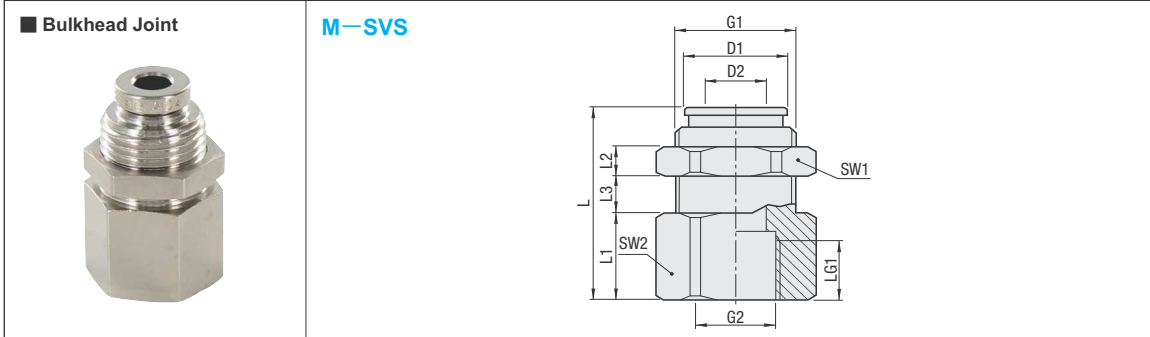
THE PARTITION JOINT

ONE-TOUCH HOSE CONNECTOR

O-RING

**BULKHEAD JOINT / ONE-TOUCH HOSE CONNECTOR / SEAL RING**

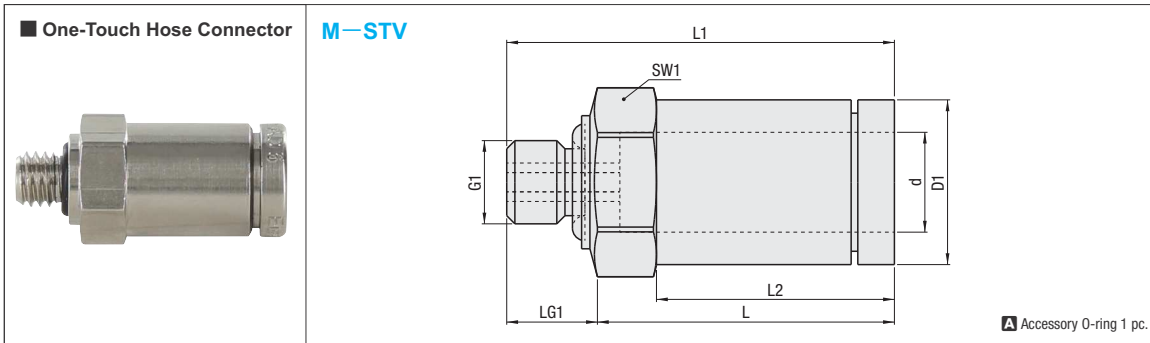
REMOVAL RELATED PRODUCTS



Cup side connection port	Weight (g) <sup>1</sup>	D1	D2	G1	G2	L	L1	L2	L3	LG1	SW1	SW2	Part Number			
													Type	No.	Hose outer dia.	
G1/8 female thread	20	8.6	4	M12×1-M	G1/8-F	25.0	11.5	3	Max. 6	8	14	14	M-SVS	1	4	Quotation
G1/8 female thread	35	11.4	6	M14×1-M	G1/8-F	28.8	11.3	4	Max. 8	8	17	17			6	
G1/8 female thread	48	14.6	8	M16×1-M	G1/8-F	30.5	13.0	4	Max. 8	8	19	19			8	
G1/4 female thread	38	11.4	6	M14×1-M	G1/4-F	34.0	16.5	4	Max. 8	12	17	17			6	
G1/4 female thread	50	14.6	8	M16×1-M	G1/4-F	34.5	17.0	4	Max. 8	12	19	19			8	

<sup>1</sup>The weight is an approximate value which serves only as a guideline.

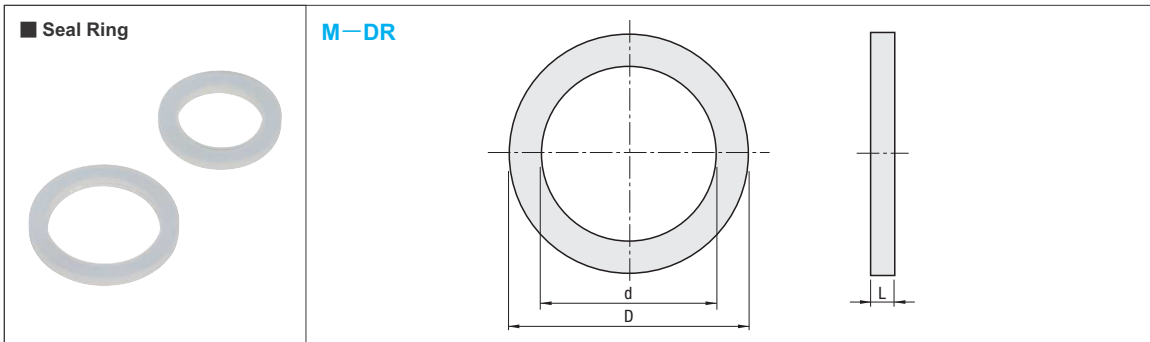
Order **Part Number** M-SVS1-6 **Days to Ship** **Quotation** **P** Price **Quotation**



d	D1	G1	L	L1	L2	LG1	SW1	Part Number		Unit Price 1~10 pcs
								Type	Hose outer dia.	
4	7.9	M5-M	15.0	19.5	11.4	4.5	8	M-STV	4	Quotation
6	9.9	M5-M	18.8	23.3	14.3	4.5	10		6	

Order **Part Number** M-STV4 **Days to Ship** **Quotation** **P** Price **Quotation**

<sup>A</sup> Accessory O-ring 1 pc.



Compatible screw dia.	d	D	L	Part Number		Unit Price 10 pcs per set 1~10 pcs
				Type	No.	
M3	3.5	6	1.0	M-DR	M3	Quotation
M5	5	8	1.2		M5	
G1/8	10	15	1.5		1	
G1/4	13.5	18	1.5		2	

Order **Part Number** M-DR-M5 **Days to Ship** **Quotation** **P** Price **Quotation**