

CLAMP FOR INJECTION MOLDING

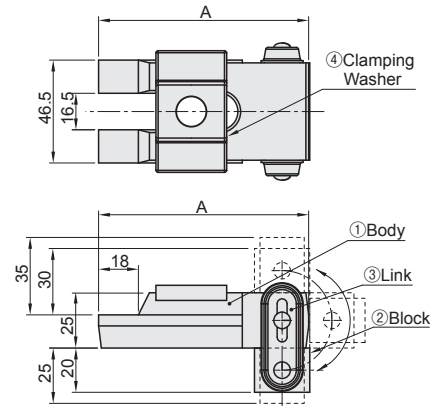
TOOLS FOR PROTECTION OF THE TIE-BAR TIE BAR COVER

■ Application It is used for clamping molds with injection molding machine.

CLAMP FOR INJECTION MOLDING



M-CE



No.	Part Name	Material	Surface Treatment
①	Body	S45C	Alkaline Blackening
②	Block	SS41	
③	Link	SPCC	
④	Clamping Washer	S45C	

Fittings (8 Pieces per set)
Hex Bolts / Washers

Bolt Size (8 Pieces)	Dimension	Block Height (mm)	Applicable Mold Thickness (mm)	Reference Tightening Torque (N·m)	Part Number (8 Pieces Set)	Unit Price
	A					1~3 Set
M12×80	95	20×25	20,25,30,35	110	M-CE12-95	Quotation
M16×90	130			286	M-CE16-95	
				286	M-CE16-130	



Order

Part Number

M-CE12-95
M-CE16-95
M-CE16-130

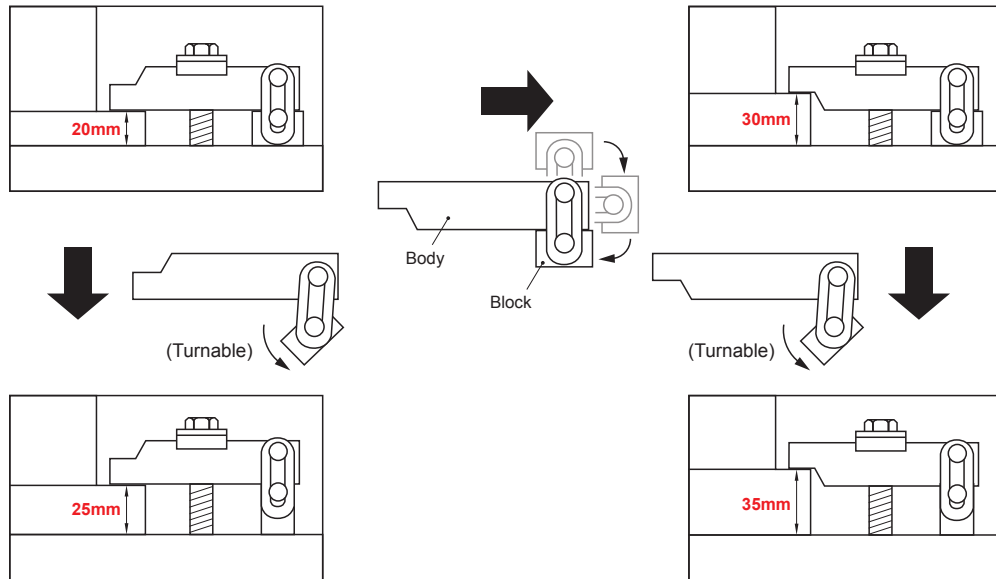


Days to Ship

Quotation



Example



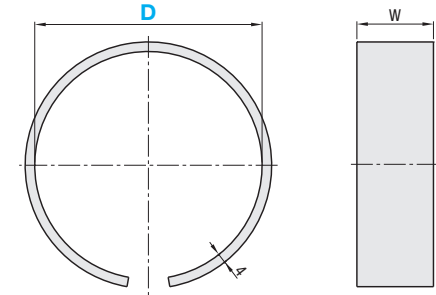
Features

- Capable of height control in 4 levels. Height control can easily be done by just turning the block.
- Durable with long life service due to the clamp's fully forged body structure.

■ Application It is used for protecting the tie bar during mold removal and etc.

Tie Bar Cover

M-TBR



Material: Nylon

Applied tie bar dia. (φ)	W (mm)	Quantity (pcs)	Part Number		Unit price 1~3 sets
			Type	D	
38~48	26	Yellow 16 Black 16	M-TBR	38	Quotation
50~60				50	
63~73	29			63	
76~86	29			76	
89~99	32			89	
102~124	32			102	
127~149	38			127	
152~175	38			152	



Order

Part Number

M-TBR-38

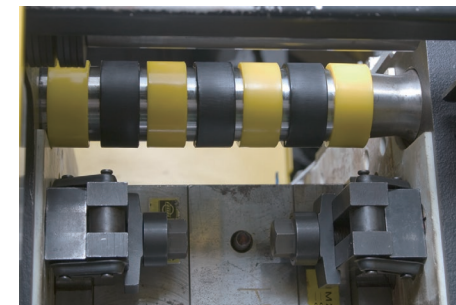


Days to Ship

Quotation



Example



How to use

- Protects the tie bar when installing the mold.