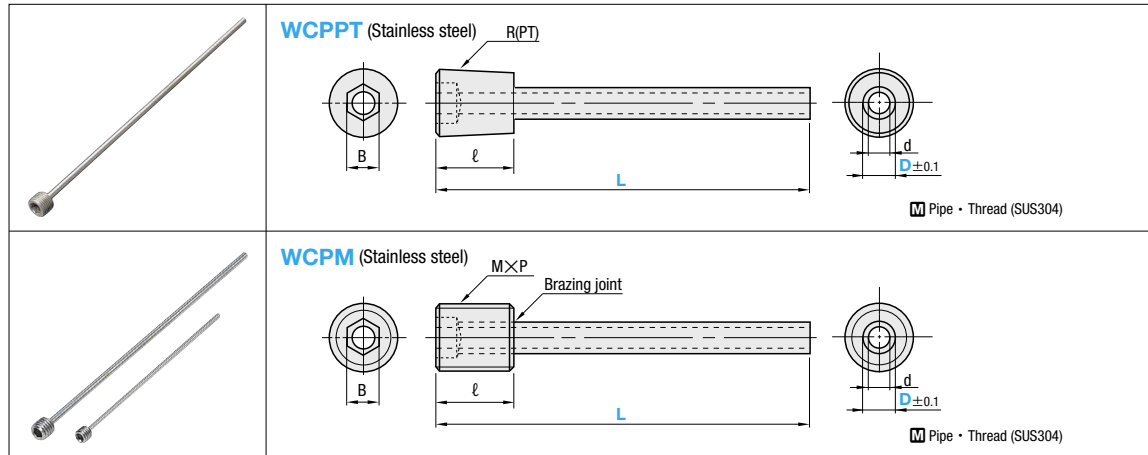
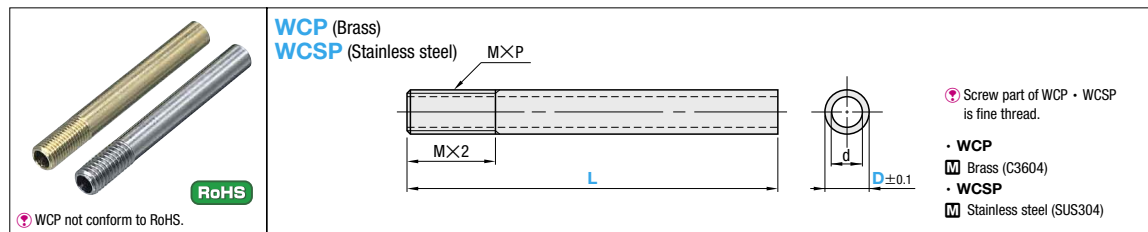


COOLING PIPES

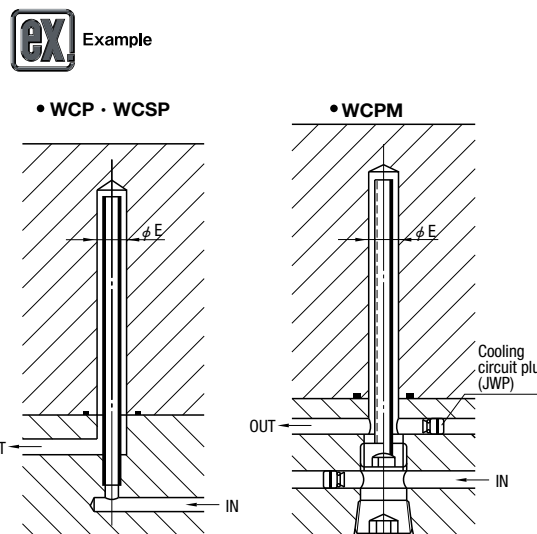
— TAPERED SCREW TYPE / PARALLEL SCREW TYPE / BRASS • STAINLESS STEEL TYPE —



R(PT)	M×Pitch	B	l	d	Part Number Type	D	L	U/Price 1~19	
WCPPT	WCPM	WCPPT	WCPM	WCPPT	WCPM	WCPPT	WCPM	WCPPT	WCPM
1/8	M 6×1.0	5	3	7	6	1.6	2	150	Quotation
								200	
	M 8×1.25	4	8	2.5	3	200	300		
						250			



M×Pitch (Fine thread)	d	Part Number Type	D	L	U/Price 1~19
		WCP (Brass)	WSCP (Stainless steel)		WCP WSCP
M3×0.35	1.0	3	50	100	Quotation
				150	
M4×0.5	2.0	4	50	100	Quotation
				150	
M5×0.5	3.0	5	50	100	Quotation
				150	
M6×0.75	4.0	6	50	100	Quotation
				150	
M8×0.75	5.0	8	50	100	Quotation
				150	
M10×1.0	7.0	10	50	100	Quotation
				150	



Refer to the example on the right page for recommended φ E.

Order	Part Number	L
	WCPPT3	200
	WSCP 6	150
	WCPM 2	150

Days to Ship **Quotation**

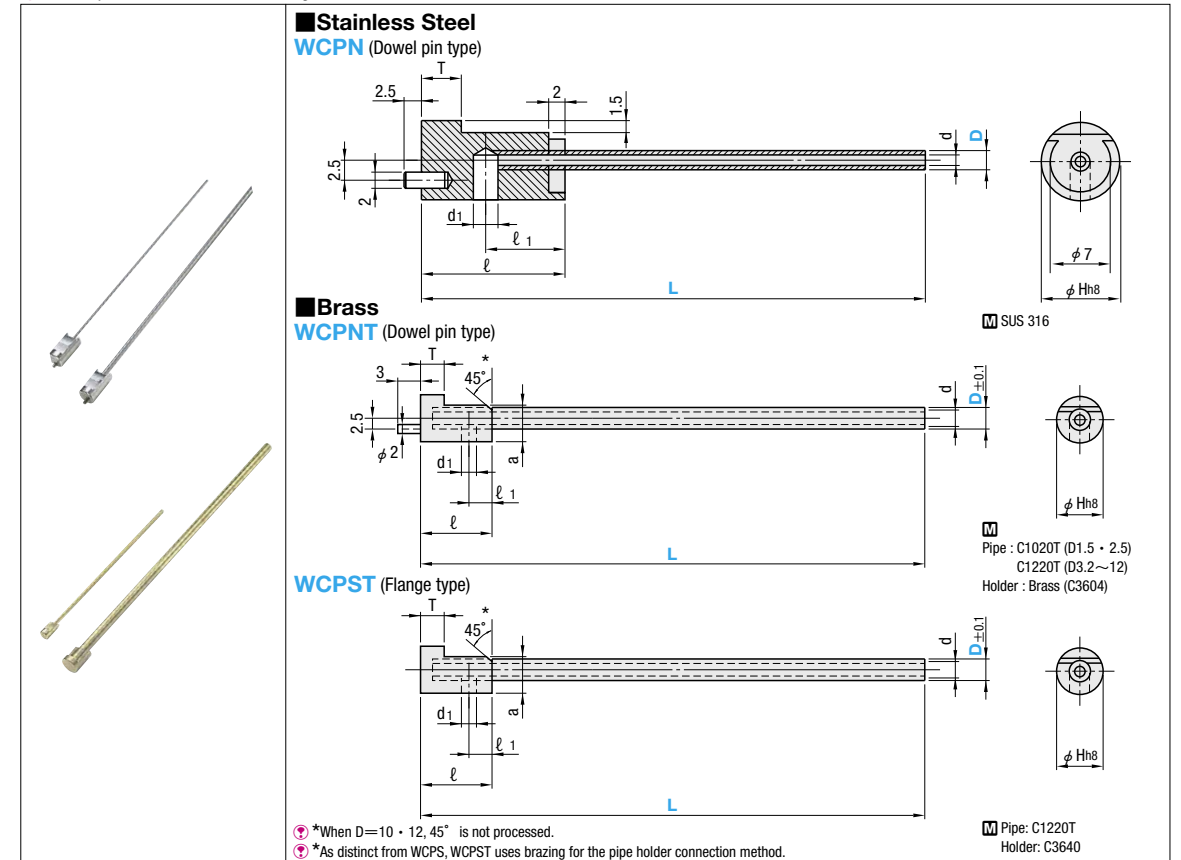
Price **Quotation**

COOLING PIPES

— DOWEL PIN TYPE / FLANGE TYPE —

Non JIS material definition is listed on P.1351 - 1352

WCPST specifications have been changed to WCPST.



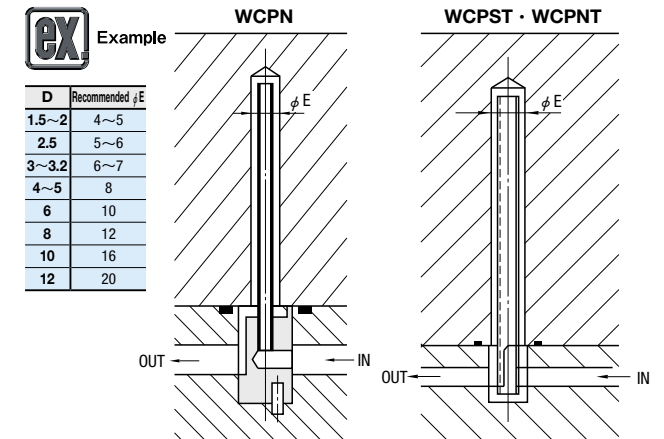
φ Hh8	T	l1	l	d1	a	d	Part Number Type		D	L	U/Price 1~4											
							Stainless Steel	Brass			WCPN (D≤3.2)	WCPNT	WCPST (D≥4)									
10	0 -0.022	4	10	18	3	8.5	0.9 1.5 2.2(2.0)	WCPN (D≤3.2) (Dowel pin)	1.5 2.5 3.2	150 150 200	Quotation	WCPNT (Dowel pin)	4 6 8 10 12	200 300 300 350 350								
															12	0 -0.027	5.1	20	5.4 6.5	9.5 12	5 6	WCPST (D≥4) (Flange)

WCPNT is dimension in ().

Order	Part Number	L
	WCPN1.5	150
	WCPNT2.5	150
	WCPST4	200

Days to Ship **Quotation**

Price **Quotation**



Cooling Components
Joints • Hoses
Cooling Inside of Mold