

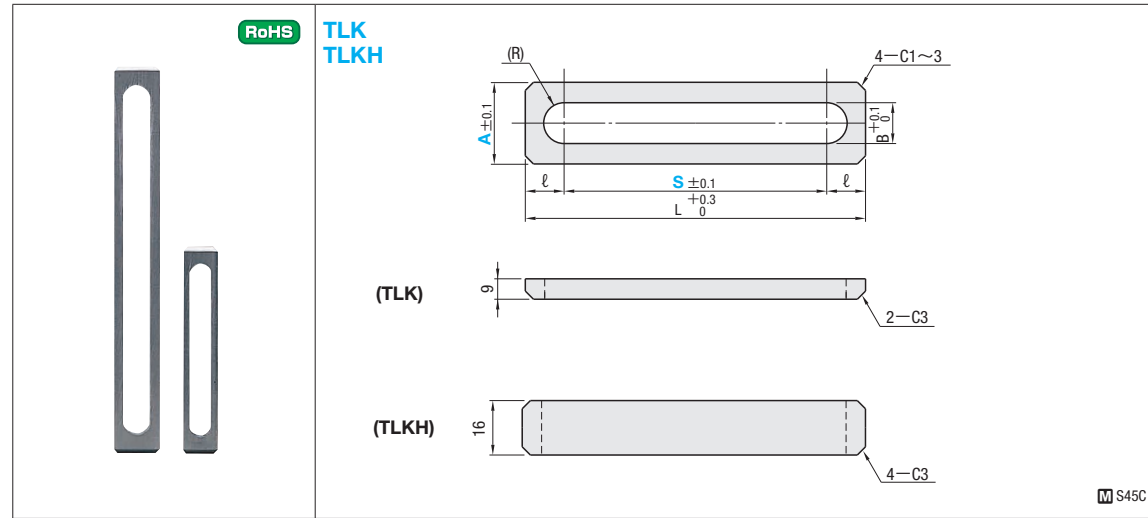
TENSION LINKS

—LONG STROKE TYPE—

TENSION LINKS

—ADJUSTABLE STROKE TYPE—

Ⓜ Non JIS material definition is listed on P.1351 - 1352



B	l	L	Part Number Type	A	S 5mm increments
11	14.5	S+29	TLK TLKH	19	50~230 (250)
14	17	S+34		25	50~270 (300)
17	18.5	S+37		32	80~350 (400)
21	20.5	S+41		38	100~400 (450)

P Price **Quotation**

A Alterations **Part Number** - (SC) **Quotation**
TLK25 - SC97

Alteration	Code	Spec.	1Code
	SC	SC=1mm increments Part Number SC designation range TLK/TLKH19 50 < SC < 230(250) TLK/TLKH25 50 < SC < 270(300) TLK/TLKH32 80 < SC < 350(400) TLK/TLKH38 100 < SC < 400(450) The figures in () are applicable for TLK only.	Quotation

ex Example

- Not being fixed on the plates with bolts, this tension link allows the mold to open and close as shown in Fig. 1 and 2. It enables to secure a longer stroke and to keep the mold height low.
- When special bolt LKB/LKBH, retainer LKR/LKRH, LKT for links are used in fixing tension links, accidents such as damage can be prevented.
- LKB/LKBH, LKR/LKRH, LKT P.1036
- When special retainer (LKT) is used, head section of the retainer makes a 1mm clearance and mold can be opened and closed without having link and plate in contact.

Fig. 1 Mold closed

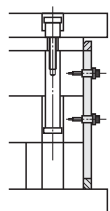
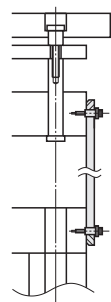
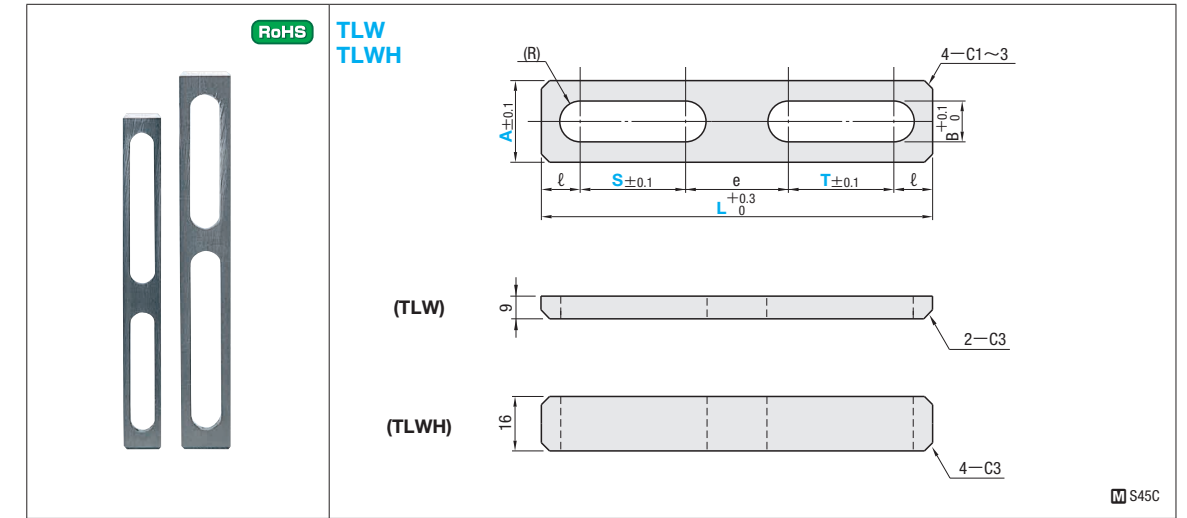
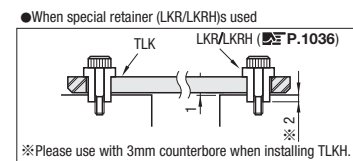
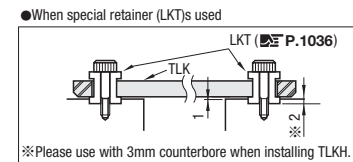


Fig. 2 Mold opened



Example of Mounting TLK · TLKH



B	l	Part Number Type	A	5mm increments			e min.
				L	S	T	
11	15	TLW TLWH	19	100~320	15~130	40~140	25
14	17.5		25	115~335	15~135	40~140	25
17	18.5		32	140~385	25~140	50~180	28
21	20.5		38	150~410	25~150	50~185	34

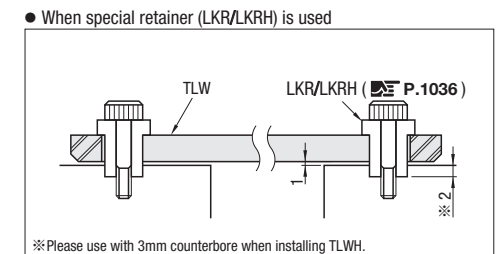
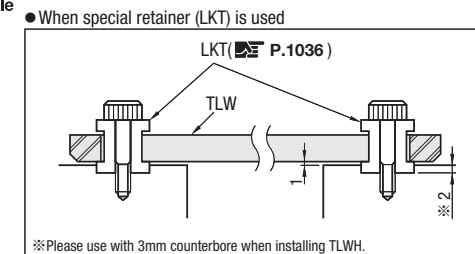
P Price **Quotation**

A Alterations **Part Number** - L - (SC) - (TC) **Quotation**
TLWH 25 - 260 - SC98 - TC96

Alterations	Code	Spec.	1Code
	SC	SC=1mm increments L - 2l - SC - T(TC) ≥ e min. e min. changes to the value shown in the table at right.	Quotation
	TC	TC=1mm increments L - 2l - S(SC) - TC ≥ e min. e min. changes to the value shown in the table at right.	Quotation

ex Example

Example of Mounting TLW · TLWH



Mold Opening
Controllers