

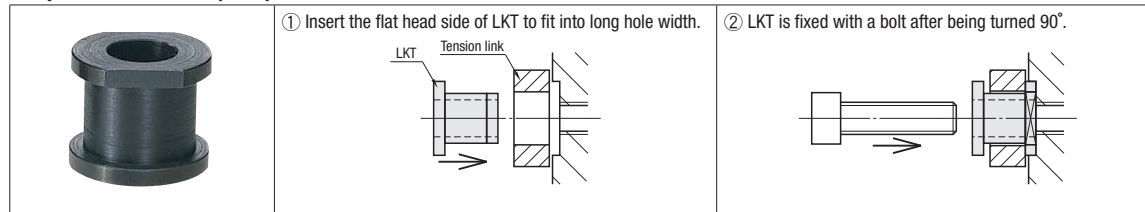
List of Tension Links

Shape	Thickness	Part Number	
		9mm type	16mm type
Stepped type/Fixed side for socket head cap screws (CB)		TL P.1032	—
Stepped type/Fixed side for special bolts · Retainers		TL + Alteration BD P.1032	TLH P.1032
Long stroke type/Both sides for special bolts · Retainers		TLK P.1033	TLKH P.1033
Stroke adjusting type/Both sides for special bolts · Retainers		TLW P.1034	TLWH P.1034
Stroke designation type/Both sides for special bolts · Retainers		TLD P.1035	TLDH P.1035

Installation Parts

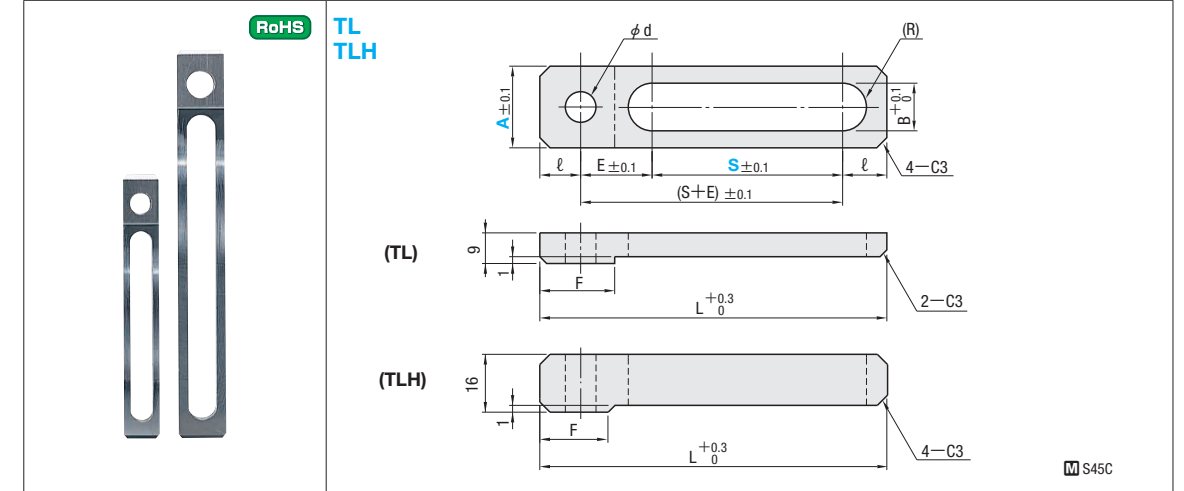
Part Number	
Fixed side	Movable side
CB (Socket Head Cap Screws) P.1185	LKB/LKBH (Special bolts) LKR/LKRH LKT (Special retainers) P.1036
LKB (Special bolts) LKR (Special retainers) P.1036	LKB/LKBH (Special bolts) LKR/LKRH LKT (Special retainers) P.1036
	LKB/LKBH (Special bolts) LKR/LKRH LKT (Special retainers) P.1036
	LKB/LKBH (Special bolts) LKR/LKRH LKT (Special retainers) P.1036

Special Retainer (LKT) Installation Method



Features

When flat type tension link is used, head section of the retainer functions as a step of 1mm and mold can be opened and closed without having link and plate in contact.



B	F	E	ℓ	L	d	Part Number Type	A	S
11	19	16	14.5	S+45	6.5	TL	19	50~170
14	25	20	17	S+54	8.5		25	50~200
17	32	30	18.5	S+67	10.5		32	80~200
21	38	30	20.5	S+71	12.5		38	100~200
11	24	20	14.5	S+49	10.5		TLH	19
14	28	23	17	S+57	13.5	25		50~270
17	32	30	18.5	S+67	16.5	32		80~300
21	38	33	20.5	S+74	20.5	38		100~350



Price

Quantity discount rate P.45

Quantity	1~9	10~19	20~49	50~100
Rate	—	5%	10%	15%

Ⓜ To be quoted on price & lead time above Max. Q'ty.



Order

Quotation



Days to Ship

Quotation



Alterations



Part Number — (SC · BD)

TL25 — 120 — BD
TLH19 — SC116



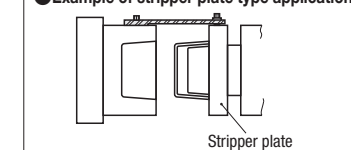
Quotation

Alterations	Code	Spec.	1Code										
	BD	d dimension (for socket head cap screws) is revised for special bolt · retainer. Ⓜ Available for TL only. Ⓜ Not available for A=19	Quotation										
	SC	SC=1mm increments Ⓜ Available for TLH only.											
		<table border="1"> <thead> <tr> <th>Part Number</th> <th>d</th> </tr> </thead> <tbody> <tr> <td>TL25</td> <td>13.5</td> </tr> <tr> <td>TL32</td> <td>16.5</td> </tr> <tr> <td>TL38</td> <td>20.5</td> </tr> </tbody> </table>	Part Number	d	TL25	13.5	TL32	16.5	TL38	20.5			
Part Number	d												
TL25	13.5												
TL32	16.5												
TL38	20.5												
		<table border="1"> <thead> <tr> <th>Part Number</th> <th>SC designation range</th> </tr> </thead> <tbody> <tr> <td>TLH19</td> <td>50<SC<270</td> </tr> <tr> <td>TLH25</td> <td>50<SC<270</td> </tr> <tr> <td>TLH32</td> <td>80<SC<300</td> </tr> <tr> <td>TLH38</td> <td>100<SC<350</td> </tr> </tbody> </table>	Part Number	SC designation range	TLH19	50<SC<270	TLH25	50<SC<270	TLH32	80<SC<300	TLH38	100<SC<350	
Part Number	SC designation range												
TLH19	50<SC<270												
TLH25	50<SC<270												
TLH32	80<SC<300												
TLH38	100<SC<350												

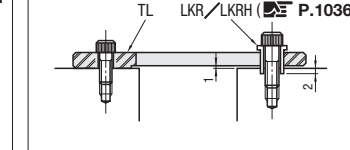


Example

Example of stripper plate type application



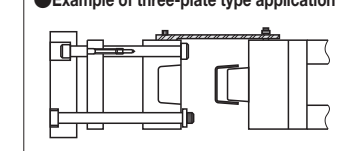
Example of mounting TL



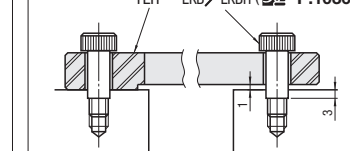
Example of Mounting TLH

- Sliding parts of the tension links have 1mm clearance so that the mold can be opened and closed without coming in contact with the plate.
- In order to prevent bolt damage in plate on movable side, please use retainer LKR/LKRH special for tension links or bolt LKB/LKBH special for tension links. Use with counterbore of 2mm as shown. This protects the bolts from damage as the retainer takes place for them to receive impact load caused by the tension link upon mold opening.

Example of three-plate type application



Example of mounting TLH



- In order to prevent bolt damage in plate on fixed · movable side, please use retainer LKB/LKBH special for tension links.
- Create a 3mm counterbore on the plate as shown in the figure.
- The bolt's shaft receives impact load caused by the tension link, protecting the bolt itself from damage.