

RETURN PINS

—L DIMENSION DESIGNATION WITH TAP HOLE TYPE—

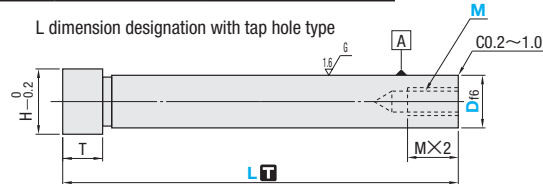
Ⓜ Non JIS material definition is listed on P.1351 - 1352

RoHS



L dimension designation with tap hole type

Type	head (T)	T	L	Squareness of the head
RP4TLM	4mm	0 -0.05	+0.5 +0.1	
RP8TLM	8mm	0 -0.1		
RP10TLM	10mm	0 -0.1		
RP4TVM	4mm	0 -0.05	L ≤ 200 ... +0.2 L > 200 ... +0.3	
RP8TVM	8mm	0 -0.1		
RP4TZM	4mm	0 -0.05	L ≤ 200 ... +0.02 L > 200 ... +0.05	
RP8TZM	8mm	0 -0.1		



M SUJ2
H 58HRC~
Induction hardening

Ⓜ A center hole may be left on one or both ends.



Price

Quotation



Alterations

Part Number — L — M — (MMC · SC · LMC · SOF)
RP4TLM 30 — 200.0 — M8 — MMC8

Alterations	Code	Spec.				1Code																												
		D	Tap M selection	D	Tap M selection																													
<p>Adds a tap on the head. Tap M selection $\ell = M \times 2$</p>	MMC	8	4	25	8 · 10	Quotation																												
		10	4 · 5	30																														
		12		32																														
		13		35																														
		15	5 · 6	40	8 · 10 · 12																													
16		50																																
20	6 · 8																																	
<p>Adds two parallel flats on the head as shown in the figure (Spanner groove width alteration).</p>	SC	<table border="1"> <tr> <td>φ D</td> <td>8</td> <td>10</td> <td>12</td> <td>13</td> <td>15</td> <td>16</td> <td>20</td> <td>25</td> <td>30</td> <td>32</td> <td>35</td> <td>40</td> <td>50</td> </tr> <tr> <td>B</td> <td>8</td> <td>10</td> <td>13</td> <td>13</td> <td>17</td> <td>17</td> <td>22</td> <td>27</td> <td>32</td> <td>32</td> <td>35</td> <td>40</td> <td>50</td> </tr> </table>				φ D	8	10	12	13	15	16	20	25	30	32	35	40	50	B	8	10	13	13	17	17	22	27	32	32	35	40	50	Quotation
		φ D	8	10	12	13	15	16	20	25	30	32	35	40	50																			
B	8	10	13	13	17	17	22	27	32	32	35	40	50																					
<p>Changes the full length tolerance. Changes the full length tolerance to negative tolerance shown in the right table.</p>	LMC	<table border="1"> <tr> <td></td> <td>RP4TLM RP8TLM RP10TLM</td> <td>RP4TVM RP8TVM</td> <td>RP4TZM RP8TZM</td> <td></td> </tr> <tr> <td>L ≤ 200</td> <td>-0.1</td> <td>-0.2</td> <td>0</td> <td></td> </tr> <tr> <td>L > 200</td> <td>-0.5</td> <td>-0.3</td> <td>-0.05</td> <td></td> </tr> </table>					RP4TLM RP8TLM RP10TLM	RP4TVM RP8TVM	RP4TZM RP8TZM		L ≤ 200	-0.1	-0.2	0		L > 200	-0.5	-0.3	-0.05		Quotation													
			RP4TLM RP8TLM RP10TLM	RP4TVM RP8TVM	RP4TZM RP8TZM																													
L ≤ 200	-0.1	-0.2	0																															
L > 200	-0.5	-0.3	-0.05																															

H	Dφ6	Part Number Type	D	L 0.1mm increments	M
11	8	4mm head RP4TLM (Squareness of the head: 0.1)	8	35.0~250.0	4
15	10		10	35.0~300.0	4 · 5
17	12		12	35.0~300.0	4 · 5
18	13	4mm head RP4TVM (Squareness of the head: 0.05)	13	35.0~300.0	4 · 5
20	15		15	35.0~350.0	5 · 6
21	16		16	35.0~350.0	6 · 8
25	20	8mm head RP8TLM (Squareness of the head: 0.1)	20	50.0~400.0	6 · 8 · 10 · 12
30	25		25	50.0~450.0	6 · 8 · 10 · 12 · 16
35	30		30	50.0~450.0	8 · 10 · 12 · 16
37	32	8mm head RP8TVM (Squareness of the head: 0.05)	32	50.0~450.0	8 · 10 · 12 · 16
15	10		10	35.0~300.0	4 · 5
17	12		12	35.0~300.0	4 · 5
18	13	8mm head RP8TLM (Squareness of the head: 0.1)	13	35.0~300.0	4 · 5
20	15		15	35.0~350.0	5 · 6
21	16		16	35.0~350.0	6 · 8
25	20	8mm head RP8TVM (Squareness of the head: 0.02)	20	50.0~(600.0)*	6 · 8 · 10 · 12
30	25		25	50.0~(650.0)*	6 · 8 · 10 · 12 · 16
35	30		30	50.0~(650.0)*	8 · 10 · 12 · 16
37	32	10mm head RP10TLM (Squareness of the head: 0.1)	32	50.0~(650.0)*	8 · 10 · 12 · 16
40	35		35	100.0~700.0	8 · 10 · 12 · 16
45	40		40	100.0~700.0	8 · 10 · 12 · 16
55	50		50	100.0~700.0	

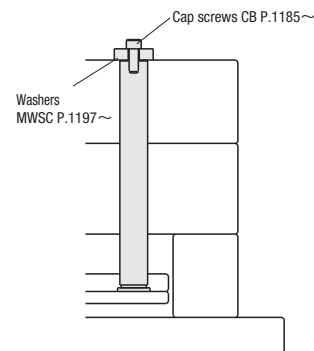
H	Dφ6	Part Number Type	D	L 0.01mm increments	M
11	8	4mm head RP4TLM (Squareness of the head: 0.02)	8	35.00~250.00	4
15	10		10	35.00~300.00	4 · 5
17	12		12	35.00~300.00	4 · 5
18	13	4mm head RP4TVM (Squareness of the head: 0.02)	13	35.00~300.00	4 · 5
20	15		15	35.00~350.00	5 · 6
21	16		16	35.00~350.00	6 · 8
25	20	8mm head RP8TLM (Squareness of the head: 0.02)	20	50.00~400.00	6 · 8 · 10 · 12
30	25		25	50.00~450.00	6 · 8 · 10 · 12 · 16
35	30		30	50.00~450.00	8 · 10 · 12 · 16
37	32	8mm head RP8TVM (Squareness of the head: 0.02)	32	50.00~450.00	8 · 10 · 12 · 16
15	10		10	35.00~300.00	4 · 5
17	12		12	35.00~300.00	4 · 5
18	13	8mm head RP8TLM (Squareness of the head: 0.1)	13	35.00~300.00	4 · 5
20	15		15	35.00~350.00	5 · 6
21	16		16	35.00~350.00	6 · 8
25	20	8mm head RP8TVM (Squareness of the head: 0.02)	20	50.00~400.00	6 · 8 · 10 · 12
30	25		25	50.00~450.00	6 · 8 · 10 · 12 · 16
35	30		30	50.00~450.00	8 · 10 · 12 · 16
37	32	10mm head RP10TLM (Squareness of the head: 0.1)	32	50.00~450.00	8 · 10 · 12 · 16

Ⓜ L dimension () available for RP8TVM, When D20, L=50.0~400.0 and When D25~32, L=50.0~450.0.



Example

A return pin with a tap hole can be fixed with a bolt when assembling or performing maintenance on the die.



Order

Part Number — L — M
RP4TLM 20 — 199.0 — M8



Days to Ship

Quotation

Components of Ejector Space