


# EJECTOR LEADER BUSHINGS

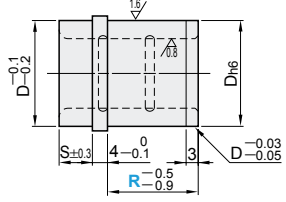
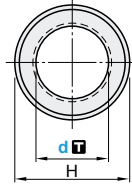
Green character items  
now kept in stock.

 Stock Items in Thailand



**C-EGBH** (Standard Oil Groove Type)

d	Tolerance
≤30	G7
>30	G6

M Material : 20Cr  
H Hardness : 56HRC~

S	H	Dh6	d	Tolerance	Model		R	U/price
					Type	d		
8	19	16	8	+0.020 +0.005	C-EGBH	8	10 13 15	
8	21	18				10	10 13 15 20	
10	23	20	12	+0.024 +0.006	C-EGBH	12	10 13 15	
10	25	22				13	10 13 15 20 25	
10	28	25	16	+0.028 +0.007	C-EGBH	16	10 13 15 20 25	
10	33	30				20	10 13 15 20 25 30	
10	38	35	25	+0.025 +0.009	C-EGBH	25	13 15 20 25 30	
15	43	40				30	13 15 20 25 30	
20	48	45	35	+0.025 +0.009	C-EGBH	35	20 25 30	
20	55	52				40	20 25 30	
20	65	62	50		C-EGBH	50	25 30	

 Order Part Number — R  
**C-EGBH 16** — **20**

 Delivery  **1** Day

 Example

