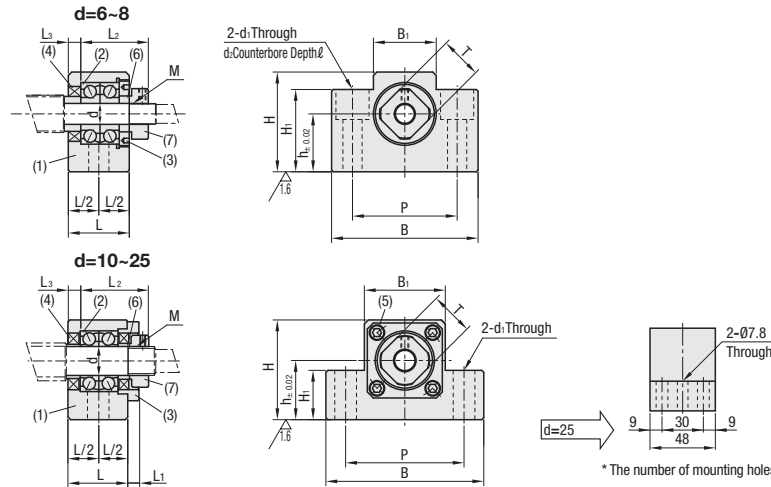


Points of comparison against similar products

For Load Rating, C-VALUE components are different from the similar products. (For details, see P.772.) When considering adopting C-VALUE parts, select them by comparing against similar products in the specifications. P.777



Type	Material	Surface Treatment
Fixed Side only	(1)(3) (6)(7)	(1)(3)(6)(7)
C-BSW	S45C SS400	Black Oxide



Number	Part Name	Qty.
(1)	Bearing Housing	1
(2)	Overseas-made angular contact bearing Grade S	1 Set
(3)	Cover	1
(4)	Oil Seal	2
(5)	Hex Socket Head Cap Screw	4
(6)	Collar	2
(7)	Bearing Nut (with Set Piece)	1

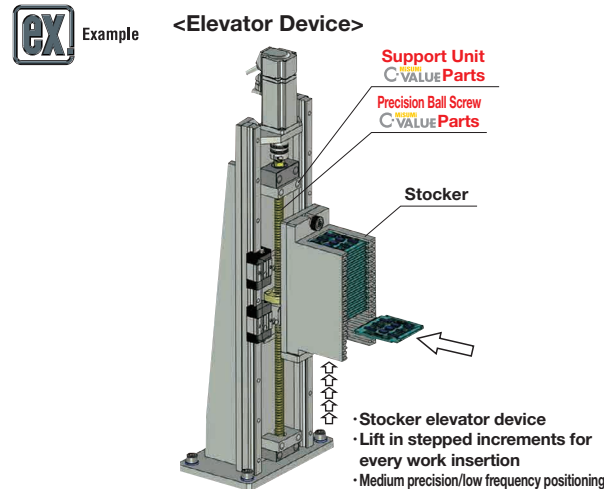
- d=6 and 8 come with one Oil Seal (4).
- Do not disassemble (1), (2), (3), (4) and (5) as they must remain as an assembled unit.
- When used together with a MISUMI ball screw, there is one support unit accessory collar spare.

Part Number	Type	No.	Support Side SET	d	L	L1	L2	L3	B	H	h	B1	H1	P	d1	d2	l	M (Fine)	T	Oil Seal Applicable Shaft Dia.	C-BSW		C-BSW-SET			
																					Unit Price	Unit Price	Unit Price	Unit Price		
C-BSW	6	6	-SET (Only when purchasing support units in set)	6	20	5.5	22	3.5	42	25	13	18	20	30	5.5	9.5	11	M6x0.75	12	9.5						
	8S	8		8	23	7	26	4	52	32	17	25	26	38	6.6	11	11	M8x1.0	14	10						
	8	8																								
	10S	10			10	24		29.5	6	70	43	25	36	24	52	9			M10x1.0	16	12					
	10	10																								
	12	12			12		6													M12x1.0	19	15				
	15S	15			15	25		36	5	80	49	30	41		60				M15x1.0	22	19.5					
	15	15																								
	20	20			20	42	10	50	10	95	58		56	25	75	11			M20x1.0	30	25					
	25	25			25	48	13	60	14	105	68	35	66		85				M25x1.5	35	31.5					

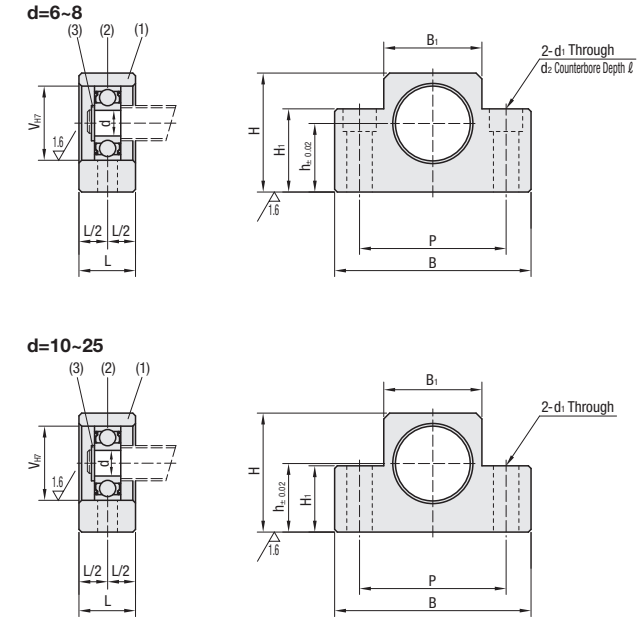
* Take care in combining No.20 with Ball Screw BSSZ(K)2510, BSR(K)2510, BSST2510 or BSBR(K)2510 or in combining No.15 with Ball Screw BSBR(K)2010. The ball screw nut may come in contact with the bottom surfaces.

Ordering Example Part Number C-BSW15 (Fixed-side single type) C-BSW15-SET (SET part type)

- For details of Bearings, Included Collars and Bearing Nuts in addition to mounting interface accuracies of Support Units, see P.777.
- Ball Screw Compatibility Chart P.774
- * Store Accessories with care since they are required when assembling.



Type	Material	Surface Treatment
C-BUN	S45C	Black Oxide



Number	Part Name	Qty.
(1)	Housing	1
(2)	Overseas-made radial bearing	1
(3)	Retaining Ring (STWN)	1

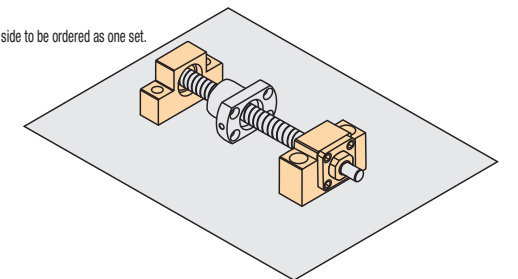
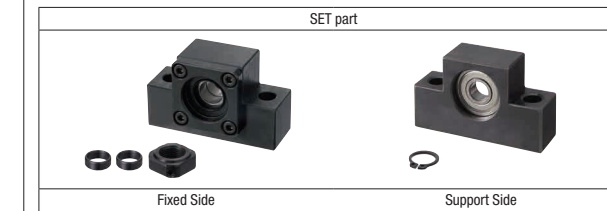
Part Number	Type	No.	d	L	B	H	h	B1	H1	P	V	d1	d2	l	Bearing	Retaining Ring	C-BUN	
																	Unit Price	Unit Price
C-BUN	6	6	6	12	42	25	13	18	20	30	17	5.5	9.5	11	B606ZZ	STWN6		
	8	8		14	52	32	17	25	26	38	22	6.6	11	11	B608ZZ	STWN8		
	10	10		20	70	43	25	36	24	52	26	9			B600ZZ	STWN10		
	12	12																
	15	15			80	49	30	41	25	60	32				B600ZZ	STWN15		
	20	20		26	95	58		56	25	75	47				B620ZZ	STWN20		
	25	25		30	105	68	35	66	25	85	52	11			B620ZZ	STWN25		

* Take care in combining No.20 with Ball Screw BSSZ(K)2510, BSR(K)2510, BSST2510 or BSBR(K)2510 or in combining No.15 with Ball Screw BSBR(K)2010. The ball screw nut may come in contact with the bottom surfaces.

Ordering Example Part Number C-BUN15 (Support side, separate item)

SET part overview

For customers using in conjunction with fixed side and support side MISUMI recommends a SET, which allows the fixed side and support side to be ordered as one set. 5% price reduction when ordering in SETs



SET Part Number	SET parts	
	Fixed Side Part Number	Support Side Part Number
C-BSW6-SET	C-BSW6	C-BUN6
C-BSW8S-SET	C-BSW8S	C-BUN8
C-BSW8-SET	C-BSW8	C-BUN8
C-BSW10S-SET	C-BSW10S	C-BUN10
C-BSW10-SET	C-BSW10	C-BUN10
C-BSW12-SET	C-BSW12	C-BUN12
C-BSW15S-SET	C-BSW15S	C-BUN15
C-BSW15-SET	C-BSW15	C-BUN15
C-BSW20-SET	C-BSW20	C-BUN20
C-BSW25-SET	C-BSW25	C-BUN25