

[Simplified Adjustments] X-Axis, Feed Screw, Side Clamp Units / Key Guide Units


miSUMI C-VALUE [Standard] X-Axis Dovetail Slide, Feed Screw Hex Wrench Drive

Compared to similar products 28% OFF Max.

Similar Product Pages P.1961

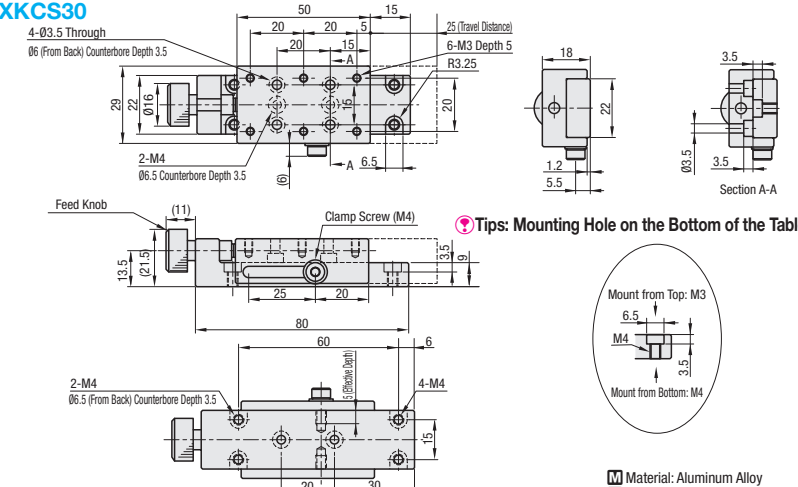
Features: Strong side clamp enables desirable mounting of workpieces. Screws with Captured Spring Washers are used for clamping to provide preload.

X-Axis



RoHS10

XKCS30



4-Ø3.5 Through
Ø6 (From Back) Counterbore Depth 3.5
25 (Travel Distance)
6-M3 Depth 5
R3.25
18
3.5
2.2
0.16
2-M4
Ø6.5 Counterbore Depth 3.5
Feed Knob
Clamp Screw (M4)
11
13.5
25
20
60
6
4-M4
Ø6.5 (From Back) Counterbore Depth 3.5
Section A-A
0.3.5
3.5
5.5
2.2

Tips: Mounting Hole on the Bottom of the Table

Mount from Top: M3
Mount from Bottom: M4

Material: Aluminum Alloy
Surface Treatment: Black Anodize

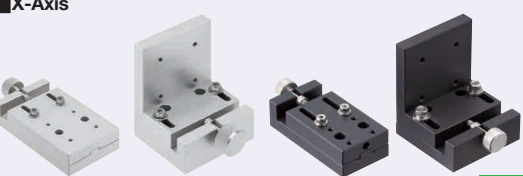
Vertical (Z-axis) and reversed applications may cause the upper surface being detached or fell off, thus not recommended.

Part Number	Stage Surface	Travel Distance	Travel per Rotation	Load Capacity	Weight	Unit Price
Type	No.	(mm)	(mm)	(N)	(kg)	
XKCS	30	29x50	25	0.8	9.8	0.1

Ordering Example
Part Number
XKCS30

Features: Simplified Adjustment Units utilizing key guides (convex surface). Screw mounting enables strong clamp, and a scale label is included.

X-Axis



RoHS10

Accuracy Standards

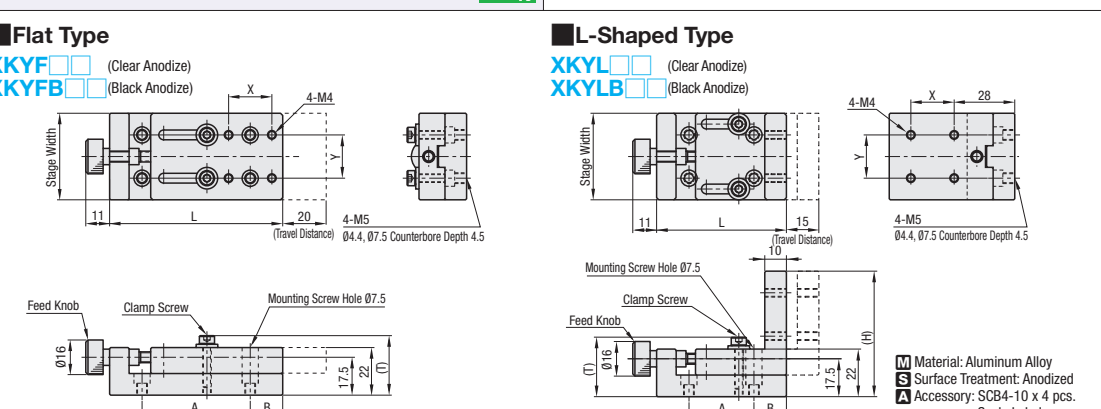
There are some mechanical clearances as shown below, and not recommended for positioning applications requiring accuracies.

0.1 or less
0.1 or less
0.1 or less
0.1 or less

(Ref./Ref.) Dimensions
Concave Portion: 10^{+0.02}
Convex Portion: 10^{-0.02}

Flat Type
XKYF (Clear Anodize)
XKYFB (Black Anodize)

L-Shaped Type
XKYL (Clear Anodize)
XKYL B (Black Anodize)



Material: Aluminum Alloy
Surface Treatment: Anodized
Accessory: SCB4-10 x 4 pcs. Scale Label

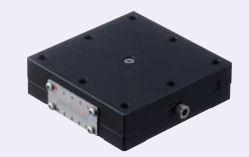
Part Number	Type	No.	Stage Width	Travel Distance (mm)	Travel per Rotation (mm)	Dimensions				Clamp Screw	Load Capacity(N)	Weight (kg)	Unit Price		
						A	B	H	L						
XKYF	XKYFB	40	40	20	0.8	50	15	-	80	(27.5)	20	20	M4	19.6	0.18
		60	60	100		(29)	30	30	M5	39.2	0.34				
XKYL	XKYL B	40	40	15	0.8	30	15	58	60	(27.5)	20	20	M4	9.8	0.18
		60	60	73		60	(29)	30	30	M5	19.6	0.28			

Ordering Example
Part Number
XKYF40
XKYL B60

Similar Products Comparison Points | Travel Accuracy Straightness 50µm

Features: No knob is required since a hex wrench is used to feed the stage, making for a space saving form factor. Unintended position changes can be prevented since the stage cannot be operated without a hex wrench.

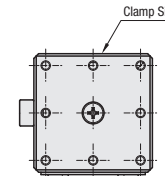
X-Axis Hex Wrench Drive
(Lead 0.5mm)



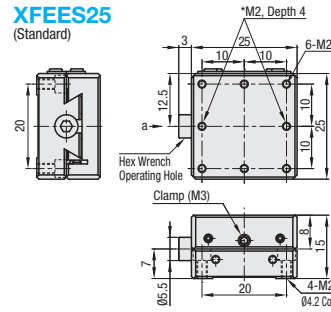
XY-Axis P1996

RoHS10

Clamp Position Change
XFEES -R (Right/Left Reversed)



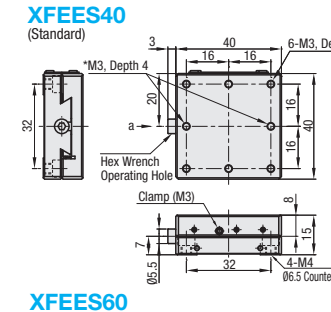
XFEES25
(Standard)



Hex Wrench Operating Hole
Clamp (M3)
M2, Depth 4
6-M2, Depth 5
4-M2.5
Ø4.2 Counterbore, Depth 2.7

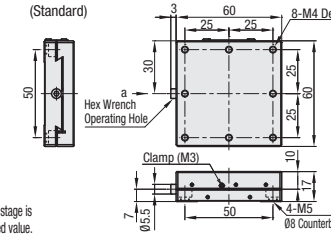
Hex Wrench Hole Details (View a)

XFEES40
(Standard)



Hex Wrench Operating Hole
Clamp (M3)
M3, Depth 4
6-M3, Depth 6
4-M4
Ø6.5 Counterbore Depth 3.5

XFEES60
(Standard)



Hex Wrench Operating Hole
Clamp (M3)
M3, Depth 4
8-M4 Depth 6
Ø8 Counterbore Depth 4.5
4-M5
Ø8 Counterbore Depth 4.5

Please note that the plate might be removed when the stage is moved in a travel distance more than the predetermined value.
*The depth will be short due to the stage shape.

Material: Aluminum Alloy
Surface Treatment: Black Anodize

X-Axis Stages High Precision Stage Existing Product: XEEG (P.1961)


Type	Part Number	Clamp Position	Stage Surface (mm)	Travel Distance (mm)	Travel per Rotation (mm)	Load Capacity (N)		Travel Accuracy	Weight (kg)	Unit Price
						Horizontal	Vertical			
XFEES	25	No Symbol (Standard)	25x25	±5	0.5	29.4	9.8	50µm	0.03	
	40	R (Right/Left Reversed)	40x40	±7		39.2	19.6		0.06	
	60	R (Right/Left Reversed)	60x60	±8		39.2	19.6		0.16	

Resolution (Vernier Scale Indication): 0.1mm/division

Ordering Example
Part Number
XFEES40

Features: Stages with 0.5mm fine lead.

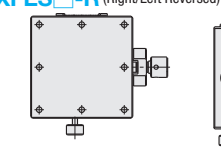
X-Axis



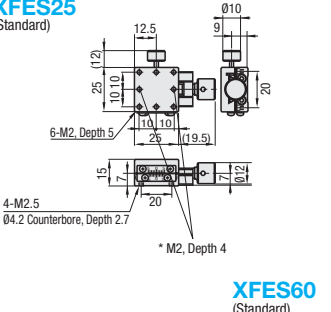
XY-Axis P1995
Z-Axis P2025

RoHS10

Clamp Position Change
XFEES -R (Right/Left Reversed)

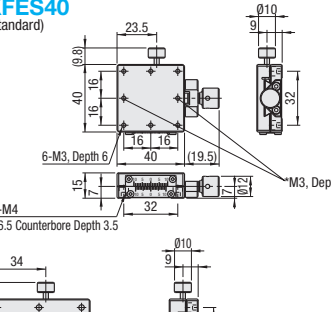


XFEES25
(Standard)



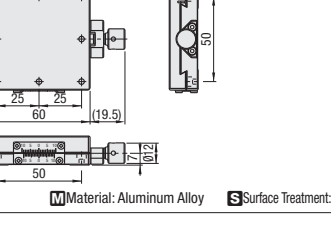
6-M2, Depth 5
4-M2.5
Ø4.2 Counterbore, Depth 2.7
M2, Depth 4

XFEES40
(Standard)



6-M3, Depth 6
4-M4
Ø6.5 Counterbore Depth 3.5
M3, Depth 4

XFEES60
(Standard)



8-M4 Depth 6
4-M5
Ø8 Counterbore Depth 4.5

*The depth will be short due to the stage shape.

Material: Aluminum Alloy
Surface Treatment: Black Anodize

X-Axis Stages High Precision Stage Existing Product: XEG (P.1941)

Type	Part Number	Clamp Position	Stage Surface (mm)	Travel Distance (mm)	Travel per Rotation (mm)	Load Capacity (N)		Travel Accuracy	Weight (kg)	Unit Price
						Horizontal	Vertical			
XFEES	25	No Symbol (Standard)	25x25	±5	0.5	29.4	9.8	50µm	0.04	
	40	R (Right/Left Reversed)	40x40	±7		39.2	19.6		0.08	
	60	R (Right/Left Reversed)	60x60	±8		39.2	19.6		0.18	

Resolution (Vernier Scale Indication): 0.1mm/division

Extension Cover HDEXT12- (sold separately); Ø12 knobs can be extended by installing the cover P2068 (Caution) Please note that increased knob diameter may interfere with the stage mounting base surfaces.

Ordering Example
Part Number
XFEES40