

Comparison Points with Similar Products | Replacement Cycle (Reference) : 20,000-40,000 times Convenient package sale is available at a low price.

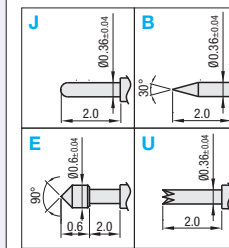
■ Contact Probe
Minimum Mounting Pitch 0.9mm
Sold by the package (50 pcs./pkg.)



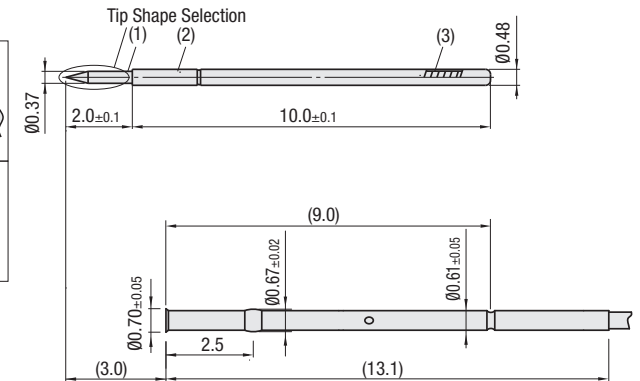
■ Receptacle
Sold by the package (50 pcs./pkg.)



NPT048 : Contact Probe



NRT048W : Receptacle



Contact Probes		
Part	Material	Surface Treatment
(1) Plunger	SK4	Gold Plating on Nickel Undercoat
(2) Barrel	Phosphor Bronze	Gold Plating on Nickel Undercoat
(3) Spring	SWP-A	Gold Plating on Nickel Undercoat

Receptacles		
Material	Surface Treatment	
Phosphor Bronze	Gold Plating on Nickel Undercoat	

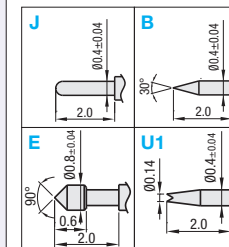
■ Contact Probe
Minimum Mounting Pitch 1.0mm
Sold by the package (50 pcs./pkg.)



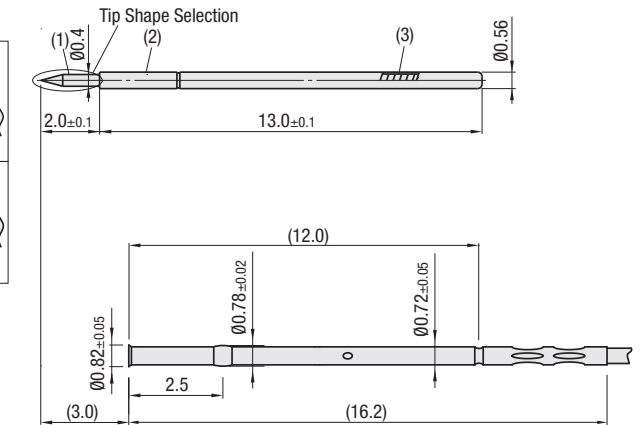
■ Receptacle
Sold by the package (50 pcs./pkg.)



NPT058 : Contact Probe



NRT058W : Receptacle



Contact Probes		
Part	Material	Surface Treatment
(1) Plunger	SK4	Gold Plating on Nickel Undercoat
(2) Barrel	Phosphor Bronze	Gold Plating on Nickel Undercoat
(3) Spring	SUS304	Gold Plating on Nickel Undercoat

Receptacles		
Material	Surface Treatment	
Phosphor Bronze	Gold Plating on Nickel Undercoat	

Contact Probe									
Part Number	Tip Shape	Mounting Pitch (mm)	Full Stroke	Spring Pressure 2/3 Stroke	Allowable Current	Resistance	Replacement Cycle (Reference)	Unit Price (50 pcs./pkg.)	
NPT 048	J, B, E, U	0.9mm	2mm	56gf	1.0A	100mΩ	20,000 times		
NPT 058	J, B, E, U1	1.0mm	2mm	56gf	2.0A	70mΩ	40,000 times		

Receptacle							
Part Number	Matching Contact Probe	Mounting Hole for Press-Fitting Dimension (Reference)	Lead Wire Length	Lead Wire	Unit Price (50 pcs./pkg.)		
NRT 048 W	NPT048	Ø0.65mm	860mm	Ø0.48			
NRT 058 W	NPT058	Ø0.75mm		Ø0.48			



Ordering Example Part Number (Type, No.) - Tip Shape
NPT048 - J
NRT058W