

Flat Belt Conveyor High Power Type

Head Drive, 3-Groove Frame (Pulley Dia. 60mm / 30mm)

CE Compliant

*The above compliance applies only for Single-phase 230V Motors.

Dedicated web site <http://fa.misumi.jp/cvs/>

The above site can be used to search for Conveyor components and their maintenance parts.

■Features: Up to 90W, Medium distance (up to 6m) transfer suited conveyor.

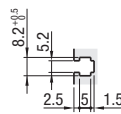
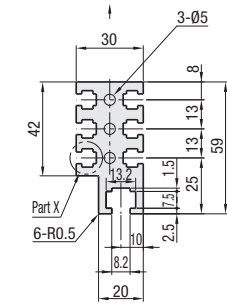


CVSE

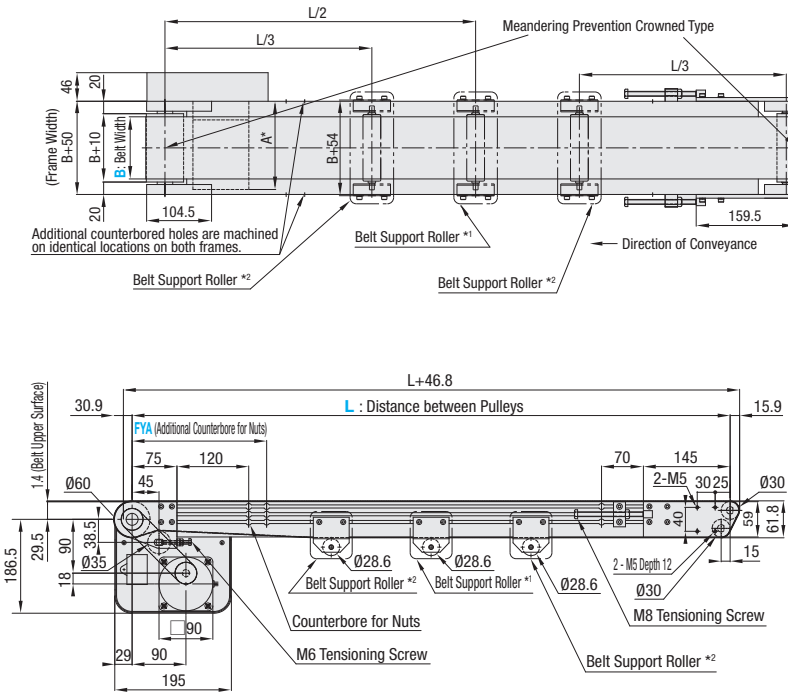
60W/90W Motor Type

	Frame	Motor Cover	Pulley Holder
M Material	Aluminum	SPCC	SS400
S Surface Treatment	Clear Anodize	Paint	Paint

Frame Cross Section and Enlarged View (Symmetrical) Carrying Surface Side



Part X (for M5)



- *1. When $L \geq 2005$, a belt support roller is mounted in the diagram location.
- *2. When $L \geq 4005$, 2 belt support rollers are mounted in the diagram locations.

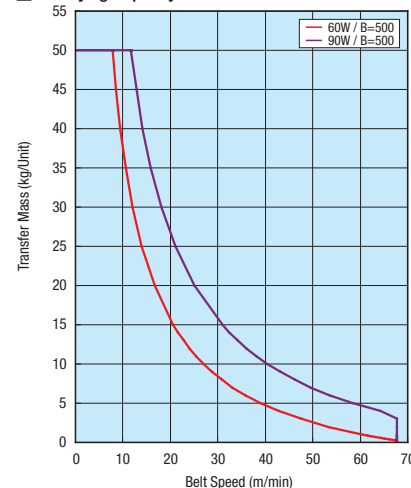
- ⚠ The dimensions in the diagram is for Belt Specification H (0.9mm THK.). Note that belt thickness varies by Belt Specifications, see P1313--.
- ⚠ On some operating environments, conveyance failure may occur.

⚠ Compatible with JIS standard hex nuts.

*A Dimension (Motor Overall Length) Details

Output (W)	Motor		Reduction Ratio	A
	Specification	Manufacturer		
60W	Induction Motor	Panasonic	5-180	180.0
		Oriental	5-180	185.0
		Taiwanese	5-75	182.6
	Variable Speed Motor	Taiwanese	90-180	191.6
		Oriental	5-180	215.0
		Taiwanese	5-75	194.6
90W	Induction Motor	Panasonic	5-180	195.0
		Oriental	5-180	200.0
		Taiwanese	5-75	195.6
	Variable Speed Motor	Taiwanese	90-180	204.6
		Oriental	5-180	230.0
		Taiwanese	5-75	209.6
		Taiwanese	90-180	218.6

Conveying Capacity



Gearhead Reduction Ratio

* May decrease depending on load condition.

Gearhead Reduction Ratio	Belt Speed (m/min)	
	50Hz	60Hz
5	56.4	67.7
7.5	37.6	45.1
9	31.3	37.6
12.5	22.6	27.1
15	18.8	22.6
18	15.7	18.8
25	11.3	13.5
30	9.4	11.3
36	7.8	9.4
50	5.6	6.8
60	4.7	5.6
75	3.8	4.5
90	3.1	3.8
100	2.8	3.4
120	2.4	2.8
150	1.9	2.3
180	1.6	1.9

Part Number	B Selection	L 5mm Increment	Output (W)	Motor			Belt Specification	FYA (Additional Counterbores 5mm Increment)	Motor Manufacturer Selection
				Voltage (V)	Specification	Gearhead Reduction Ratio			
CVSE	100 200 300 400 500	440-6000	60 90	T100 (Single-phase)	IM (Induction Motor)	5 7.5 9 12.5 15 18 25 30 36 50 60 75 90 100 120 150 180	H (General Purpose, Green) W (General Purpose, White) G (For Sliding, Green) S (For Sliding, White) D (For Electronic Parts Transfer, Black) F (For Food Transfer, White) O (Oil Resistant, Navy Blue) N (Non-adhesive, White) J (No Belt)	205<FYA<L-225	A (Panasonic Motor) B (Oriental Motor) C (Taiwanese Motor) * SCM (Variable Speed Motor) is not selectable for A. * For C, the conveyance speed may decrease by approx. 20%. R (No Motor, Gearhead)
				T200 (Single-phase)	SCM (Variable Speed Motor)				
				S200 (3-phase)	IM (Induction Motor)				
				NV (No Motor)	NM (No Motor)	NH (No Gearhead)			

- ⚠ Connect the motor so that the belt rotates in the direction of conveyance. For connection diagram, and details of motor and inverter, see P1301--.
- ⚠ Workpiece weighing over 10kg/unit might deform belt base plate.
- ⚠ When the unit length (L dim.) is 2000mm or less, this will be delivered as the finished product. For a unit over 2000mm, the product is delivered with frames unassembled and the customer is to assemble the unit by following instructions on the included assembly procedure manual. The assembly procedure manual can also be downloaded from our Conveyor Selection web site.
- ⚠ When "No motor, gearhead" is selected, the motor mounting hole pitch will vary depending on the motor's power rating. For the dimension details, see Technical Information in our Conveyor Selection web site.
- ⚠ When "No motor, gearhead" is selected, this unit will be delivered unassembled. The customer is to assemble the unit by following instructions on the included assembly procedure manual. See our Conveyor Selection site for assembly procedures and packaging details.
- ⚠ Purple Color Type of Belt is the Catalog Standard-Altered product. For details, see P1313--.

Belt Specification	Standard Belt (Body Price Only)	Optional Belt 1	Optional Belt 2	No Belt
General Purpose	H (Green), W (White), HG (Green)	-	HY (Yellow Green), HBN (Sky Blue)	J (No Belt)
For Sliding	G (Green), S (White)	-	-	
For Inclined Transfer	LG (Green), LW (White)	-	-	
Grip Type	-	GG (Green), GW (White)	GSN (Green)	
Oil Resistant	O (Navy Blue), OH (Green), OG (Green)	OW (White)	ON (White)	
Non-adhesive	N (White), NS (White)	NB (Sky Blue), NBG (Lime Green), HH (Green), HW (White)	NWN (White), NSN (Sky Blue), NGN (Lime Green), HBG (Green), HBW (White), BW (White)	
For Food Transfer	F (White)	KW (White), KSB (Sky Blue), PHB (Sky Blue)	PHN (Sky Blue), PWN (White), KWN (White)	
For Electronic Parts Transfer	D (Black), DS (Black)	-	DG (Black)	

- ⚠ For flat belt details, see P1313--.
- ⚠ For Motor Manufacturer C (Taiwanese Motor), select either the H, W, G, S, D, F, O, N or J (No Belt) option.
- ⚠ Since only the transporting surface side is designed to be oil resistant, Oil Resistant Types are not useable on environments where it is very likely that oil adheres to the back face.

Part Number	B	Body Price 1-10 pc(s)																							
		L440-800	L605-800	L805-1000	L1005-1200	L1205-1400	L1405-1600	L1605-1800	L1805-2000	L2005-2200	L2205-2400	L2405-2600	L2605-2800	L2805-3000	L3005-3250	L3255-3500	L3505-3750	L3755-4000	L4005-4250	L4255-4500	L4505-5000	L5005-5500	L5505-6000		
CVSE	100																								
	200																								
	300																								
	400																								
	500																								

⚠ For orders larger than indicated quantity, please check with WOS.

Motor Spec. Price	Motor Output	Specification	A (Panasonic Motor)	B (Oriental Motor)	C (Taiwanese Motor)	R (No Motor, Gearhead)
			60W 90W	IM SCM		

Belt Spec. Price	Standard Belt	Optional Belt 1	Optional Belt 2	No Belt



Ordering Example: Part Number - B - L - Motor - Output - Voltage - Specification - Gearhead Reduction Ratio - Belt Specification - Motor Manufacturer Selection - FYA
CVSE - 300 - 2000 - 90 - T100 - IM - 25 - H - C - FYA1000



Alterations
Motor Position Reversed
Brackets for Speed Controller Included
Post-Assembly Insertion Nuts Included
Motor with Terminal Box
Stands (Legs)

For details of Alterations, see P.1298--.