

Flat Belt Conveyors

Center Drive, 3-Groove Frame (Pulley Dia. 50mm)


CE Compliant

*The above compliance applies only for Single-phase 230V Motors.

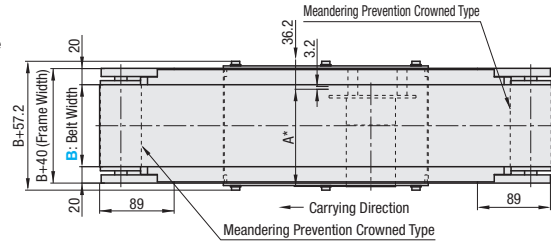
Dedicated web site <http://fa.misumi.jp/cvs/>

The above site can be used to search for Conveyor components and their maintenance parts.

Features: A Flat Belt Conveyor with drive section repositionable. Belt tension can be adjusted at the center drive section, and the overall length does not change even after the above tension adjustment is performed. With the addition of tapped holes for pulley holders, mounting of optional parts becomes easier than that with CVSP.



CVGR 6W Motor Type



Meandering Prevention Crowned Type

Carrying Direction

Meandering Prevention Crowned Type

Belt Width: B

Frame Width: B+40

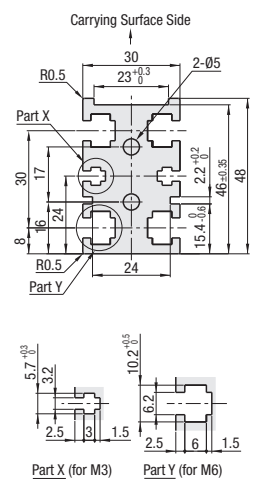
Motor Overall Length: A

Distance between Pulleys: L

Distance between Pulleys (L/2): L/2

Capacitor Attached for Single-Phase Induction Motor Only

Frame Cross Section and Enlarged View (Symmetrical)



Carrying Surface Side

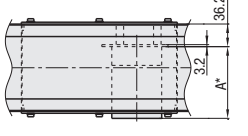
Part X (for M3)

Part Y (for M6)

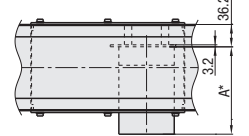
Compatible with JIS standard hex nuts.

On some operating environments, conveyance failure may occur.

25W Motor Type



40W Motor Type



*1. The drive section can be moved to a desired position within the aluminum extrusion slots.

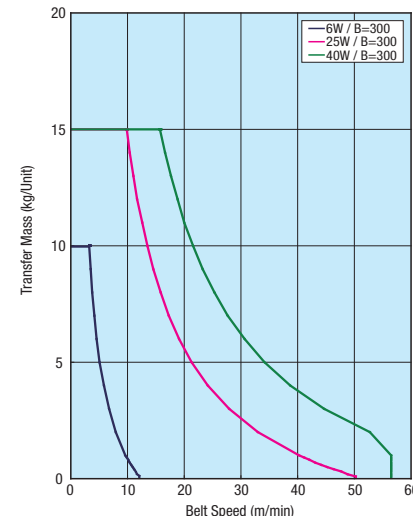
*2. When L ≥ 485, each slot has four (4) nuts inserted. When counterbores for inserting nuts are required, so specify in form of alteration ordering.

The dimensions in the diagram is for Belt Specification H (0.9mm THK.). Note that belt thickness varies by Belt Specifications. For Belt Specifications, see P.1313--.

*A Dimension (Motor Overall Length) Details

Output (W)	Motor Specification	Manufacturer	Reduction Ratio	A
6W	Induction Motor	Panasonic	5-25	101.0
		Oriental	30-180	108.0
		Taiwanese	5-25	105.0
	Variable Speed Motor	Oriental	30-180	115.0
		Taiwanese	5-75	114.7
		Taiwanese	90-180	120.7
25W	Induction Motor	Panasonic	5-25	115.0
		Oriental	30-180	125.0
		Taiwanese	5-75	128.9
	Variable Speed Motor	Oriental	30-180	129.0
		Taiwanese	5-75	129.0
		Taiwanese	90-180	136.0
40W	Induction Motor	Panasonic	5-18	117.0
		Oriental	25-180	127.5
		Taiwanese	5-75	129.0
	Variable Speed Motor	Oriental	30-180	132.9
		Taiwanese	5-75	137.5
		Taiwanese	90-180	146.5

Conveying Capacity



Gearhead Reduction Ratio

* May decrease depending on load condition.

Gearhead Reduction Ratio	Belt Speed (m/min)	
	50Hz	60Hz
5	47.1	56.5
7.5	31.4	37.7
9	26.2	31.4
12.5	18.8	22.6
15	15.7	18.8
18	13.1	15.7
25	9.4	11.3
30	7.9	9.4
36	6.5	7.9
50	4.7	5.7
60	3.9	4.7
75	3.1	3.8
90	2.6	3.1
100	2.4	2.8
120	2.0	2.4
150	1.6	1.9
180	1.3	1.6

Part Number	B 1mm Increment	L 5mm Increment	Motor				Belt Specification	Motor Manufacturer Selection
			Output (W)	Voltage (V)	Specification	Gearhead Reduction Ratio		
CVGR	40-300	385-2000	6	TA115 (Single-phase)	IM (Induction Motor) SCM (Variable Speed Motor)	5	H (General Purpose, Green) W (General Purpose, White) G (For Sliding, Green) S (For Sliding, White) D (For Electronic Parts Transfer, Black) F (For Food Transfer, White) O (Oil Resistant, Navy Blue) N (Non-adhesive, White) J (No Belt)	A (Panasonic Motor) B (Oriental Motor) C (Taiwanese Motor)
			25			*SCM (Variable Speed Motor) is not selectable for A. *For C, the conveyance speed may decrease by approx. 20%.		
			40					
			25	SA220 (3-Phase) SA230 (3-Phase)	IM (Induction Motor)		18	*When A or B is selected as the Motor Manufacturer Option, choose a belt from Belt Specification table below.
			60					
			150					
6	NV (No Motor)	NM (No Motor)	5	NH (No Gearhead)	R (No Motor, Gearhead)			
25								
40								

- Connect the motor so that the belt rotates in the direction of conveyance. For connection diagram, and details of motor, see P.1313--.
- When "No motor, gearhead" is selected, the motor mounting hole pitch will vary depending on the motor's power rating. For the dimension details, see Technical Information in our Conveyor Selection web site.
- When "No motor, gearhead" is selected, this unit will be delivered unassembled. The customer is to assemble the unit by following instructions on the included assembly procedure manual. See our Conveyor Selection site for assembly procedures and packaging details.
- Purple Color Type of Belt is the Catalog Standard-Altered product. For details, see P.1313--.

Belt Specification	Standard Belt (Body Price Only)	Optional Belt 1	Optional Belt 2	No Belt
General Purpose	H (Green), W (White), HG (Green)	-	HY (Yellow Green), HBN (Sky Blue), HGN (Green)	J (No Belt)
For Sliding	G (Green), S (White)	-	-	
For Inclined Transfer	LG (Green), LW (White)	-	HGN (Green), LWN (White), LYN (Gray)	
Grip Type	-	GG (Green), GW (White)	GSN (Green)	
Oil Resistant	O (Navy Blue), OH (Green), OG (Green)	OW (White)	ON (White)	
Non-adhesive	N (White), NS (White)	NB (Sky Blue), NBG (Lime Green), HH (Green), HW (White)	NWN (White), NSN (Sky Blue), NGN (Lime Green), HBG (Green), HBW (White), BW (White)	
For Food Transfer	F (White)	KW (White), KSB (Sky Blue), PHB (Sky Blue)	PHN (Sky Blue), PWN (White), KWN (White), KDN (White)	
For Electronic Parts Transfer	D (Black), DS (Black)	-	DG (Black)	

- For flat belt details, see P.1313--.
- For Motor Manufacturer C (Taiwanese Motor), select either the H, W, G, S, D, F, O, N or J (No Belt) option.
- Since only the transporting surface side is designed to be oil resistant, Oil Resistant Types are not useable on environments where it is very likely that oil adheres to the back face.

Part Number	B	Body Price 1-10 pc(s)																	
		L385-400	L405-500	L505-600	L605-700	L705-800	L805-900	L905-1000	L1005-1100	L1105-1200	L1205-1300	L1305-1400	L1405-1500	L1505-1600	L1605-1700	L1705-1800	L1805-1900	L1905-2000	
CVGR	40-50																		
	60-100																		
	110-150																		
	160-200																		
	210-250																		
	260-300																		

For orders larger than indicated quantity, please check with WOS.

Motor Spec. Price	Motor Output	Specification	A (Panasonic Motor)	B (Oriental Motor)	C (Taiwanese Motor)	R (No Motor, Gearhead)
6W	6W	IM				
25W	25W	SCM				
40W	40W	SCM				

Belt Spec. Price	Standard Belt	Optional Belt 1	Optional Belt 2	No Belt

Ordering Example

Part Number - B - L - Motor - Belt Specification - Motor Manufacturer Selection

CVGR - 120 - 1350 - 40 - T100 - SCM - 50 - H - A

Alterations

- Specify Drive Section Position
- Additional Counterbores
- Roller Edge
- Motor Cover with Window
- Brackets for Speed Controller Included
- Post-Assembly Insertion Nuts Included
- Motors with Electromagnetic Brake Stands (Legs)

For details of Alterations, see P.1298--.