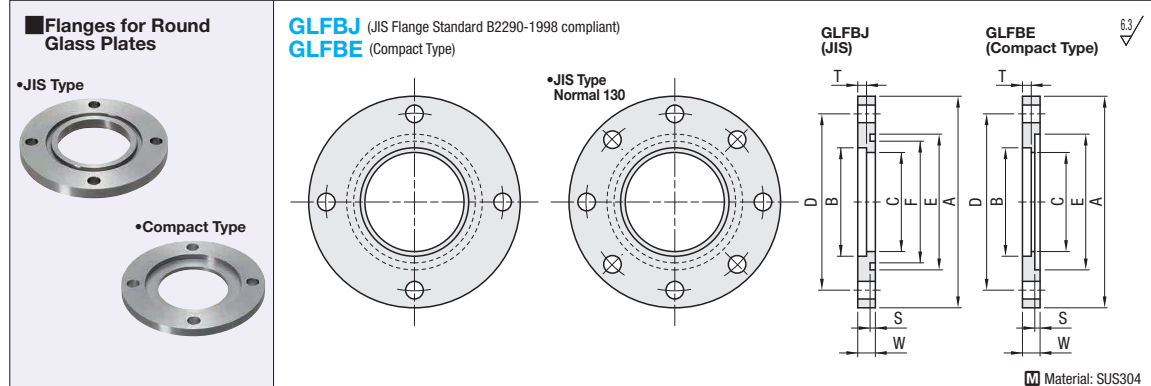


Flanges / Flange Covers for Round Glass Plates

Observation Port Set (Compact Type)

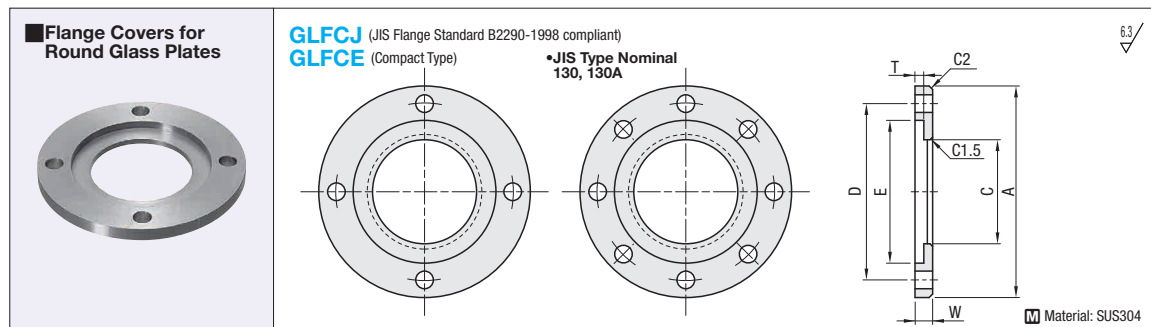
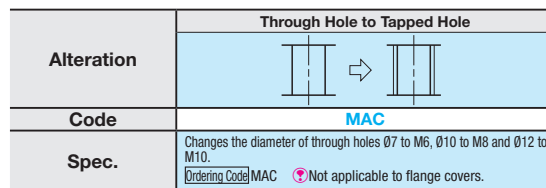
For the flange and flange cover for round glass plates, the JIS-compliant type and the compact type which is 15% smaller than JIS-compliant type in O.D. are offered.



Compact type is not recommended for use in applications where reliability in sealing is required, such as vacuum environment.

| Part Number | Type | Nominal (Glass Dia.) | Flange Outer Dia. A | Pipe Weld Outer Dia. B | Through Holes Pitch Circle Dia. C | Pipe Part Depth T | Applicable O-rings | O-ring Groove | | | Number of Through Hole - Diameter | Applicable Pipe Size | | Unit Price | |
|------------------|------|----------------------|---------------------|------------------------|-----------------------------------|-------------------|--------------------|---------------|--------------|---------|-----------------------------------|----------------------|-------------|------------|-----------------|
| | | | | | | | | Outer Dia. E | Inner Dia. F | Depth S | | Thickness W | O.D. x I.D. | | JIS3 3459, 3465 |
| GLFCBJ (JIS) | | 50 | 90 | 35 | 32.5 | 70 | 4 V40 | 49 | 40 | 2.8 | 8 | 4-Ø10 | 34.0x31.0 | 25A | |
| | | 65 | 105 | 49.6 | 47.1 | 85 | 5 V55 | 64 | 55 | 2.8 | 10 | 4-Ø10 | 48.6x45.6 | 40A | |
| | | 95 | 145 | 77.3 | 74.3 | 120 | 5 V85 | 94 | 85 | 2.8 | 10 | 4-Ø12 | 76.3x72.3 | 65A | |
| | | 130 | 185 | 115.3 | 112.3 | 160 | 6 V120 | 129 | 120 | 2.8 | 12 | 8-Ø12 | 114.3x110.3 | 100A | |
| GLFCBE (Compact) | | 50 | 75 | 35 | 32.5 | 61.5 | 4 V40 | 49 | - | 2.5 | 8 | 4-Ø7 | 34.0x31.0 | 25A | |
| | | 65 | 90 | 49.6 | 47.1 | 76.5 | 4 V55 | 64 | - | 2.5 | 8 | 4-Ø7 | 48.6x45.6 | 40A | |
| | | 95 | 125 | 77.3 | 74.3 | 109.5 | 6 V85 | 94 | - | 2.5 | 10 | 4-Ø7 | 76.3x72.3 | 65A | |
| | | 130 | 160 | 115.3 | 112.3 | 145.5 | 8 V120 | 129 | - | 2.5 | 12 | 4-Ø10 | 114.3x110.3 | 100A | |

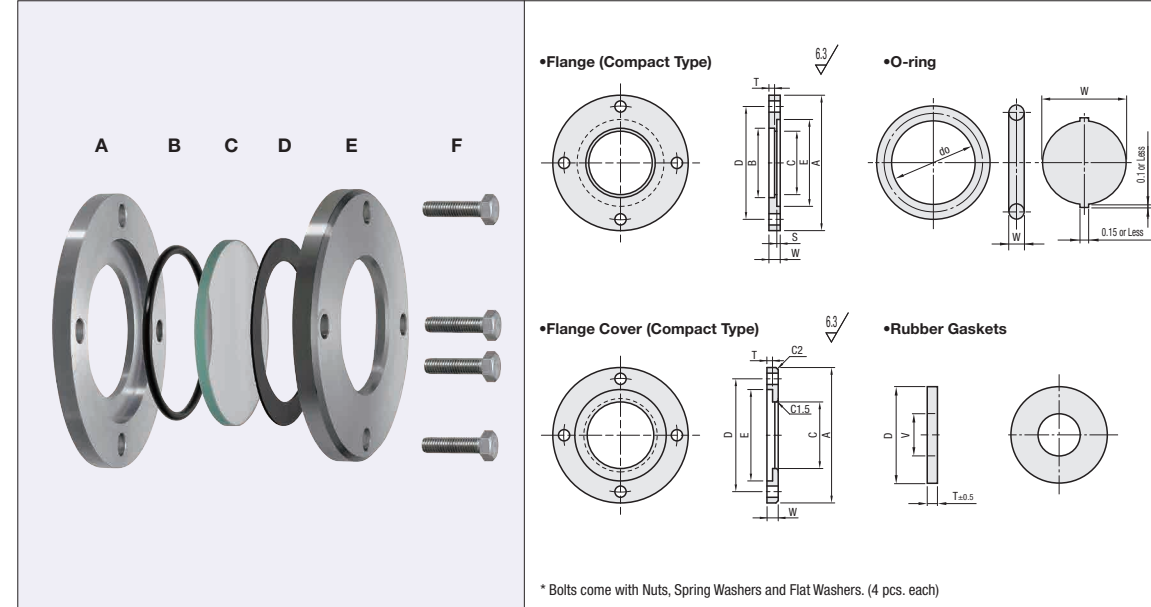
Alterations Part Number - (MAC)
GLFCBE65 - MAC



| Part Number | Type | Nominal (Glass Dia.) | Glass Thickness | Flange Cover A | Outer Dia. E | Inner Dia. C | Depth T | Cover Thickness W | Through Holes Pitch Circle Dia. D | Number of Through Hole - Diameter | Unit Price |
|------------------|------|----------------------|-----------------|----------------|--------------|--------------|---------|-------------------|-----------------------------------|-----------------------------------|------------|
| | | | | | | | | | | | |
| GLFCFJ (JIS) | | 50 | 3~3.3 | 90 | 51 | 32.5 | 4.3 | 7 | 70 | 4-Ø10 | |
| | | 65 | 3~3.3 | 105 | 66 | 47.1 | 4.3 | 7 | 85 | 4-Ø10 | |
| | | 95 | 5.0 | 145 | 96 | 74.3 | 6 | 9 | 120 | 4-Ø12 | |
| | | 130 | 8 | 185 | 131 | 112.3 | 9 | 13 | 160 | 8-Ø12 | |
| GLFCFE (Compact) | | 50 | 3~3.3 | 75 | 51 | 32.5 | 4.3 | 7 | 61.5 | 4-Ø7 | |
| | | 65 | 3~3.3 | 90 | 66 | 47.1 | 4.3 | 7 | 76.5 | 4-Ø7 | |
| | | 95 | 5.0 | 125 | 96 | 74.3 | 6 | 9 | 109.5 | 4-Ø7 | |
| | | 130 | 8 | 160 | 131 | 112.3 | 9 | 13 | 145.5 | 4-Ø10 | |

Ordering Example Part Number
GLFCFJ50
GLFCFE95

Sets of flange, O-ring, glass plate, gasket, flange cover and bolts to match Round Glass Plates.



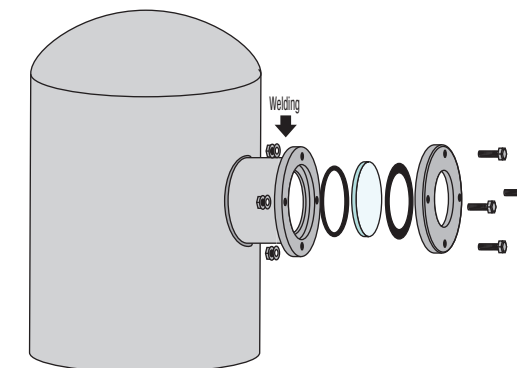
| Part Number | A Flange | B O-ring | C Round Glass Plates | D Rubber Gaskets | E Flange Cover | F Screw |
|---|----------|----------------|----------------------|------------------|----------------|-------------------------------|
| Standard Type | GLSETN | Nitrile Rubber | Reinforced Glass | Nitrile Rubber | SUS304 | SUS304 (Nuts, Washers) 4 Sets |
| Heat Resisting Type (Glass tolerable up to 230°C) | GLSETF | Fluorine | Heat-resistant Glass | Fluorine | SUS304 | SUS304 (Nuts, Washers) 4 Sets |

| Part Number | Type | No. | A Flange | | B O-ring | | C Glass | | D Rubber Gaskets | | E Flange Cover | | F Screw | Unit Price |
|----------------------------|------|-----|----------|------|----------|-------|-------------|-----------|------------------|-------|----------------|--|---------|------------|
| | | | P987 | JIS | W | do | P985 | D-V-T | P987 | P987 | | | | |
| Standard Type GLSETN | | 50 | GLFBE50 | V40 | 4 | 39.5 | GLMK-50-3 | 50-35-1 | GLFCE50 | M6-30 | | | | |
| | | 65 | GLFBE65 | V55 | 4 | 54.5 | GLMK-65-3 | 65-50-1 | GLFCE65 | M6-30 | | | | |
| | | 95 | GLFBE95 | V85 | 4 | 84.0 | GLMK-95-5 | 95-80-1 | GLFCE95 | M6-30 | | | | |
| | | 130 | GLFBE130 | V120 | 4 | 119.0 | GLMK-130-8 | 130-115-1 | GLFCE130 | M8-40 | | | | |
| Heat Resisting Type GLSETF | | 50 | GLFBE50 | V40 | 4 | 39.5 | GLMH-50-3.3 | 50-35-1 | GLFCE50 | M6-30 | | | | |
| | | 65 | GLFBE65 | V55 | 4 | 54.5 | GLMH-65-3.3 | 65-50-1 | GLFCE65 | M6-30 | | | | |
| | | 95 | GLFBE95 | V85 | 4 | 84.0 | GLMH-95-5 | 95-80-1 | GLFCE95 | M6-30 | | | | |
| | | 130 | GLFBE130 | V120 | 4 | 119.0 | GLMH-130-10 | 130-115-1 | GLFCE130A | M8-40 | | | | |

Ordering Example Part Number
GLSETF65

Installation

Use as welded to a pipe. For compatible pipe diameter, refer to the spec. list for Flanges for Round Glass Plates GLFBE on P987.



O-ring and Rubber Gaskets

For purchase of O-rings and rubber gaskets separately, see O-ring: O-ring V Series on P1427 and Rubber Gaskets: Rubber Gasket Products P455.