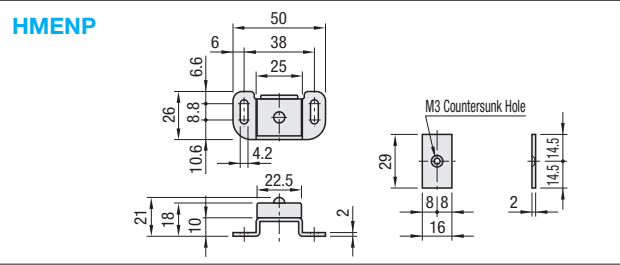


Magnetic Catches for Panels / Ball Catch Sets for Aluminum Extrusions

Stay Sets for Aluminum Extrusions / Slide Bolt Sets for Aluminum Extrusions

Magnetic Catches for Panels **HMENP**



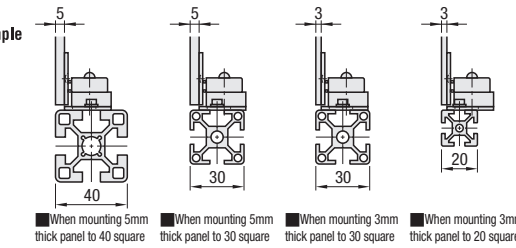
RoHS 10

Part Name	Material	Surface Treatment
Housing	SUS304	Dark Brown Paint
Magnet	Ferrite	
Plate	SPPC	Trivalent Chromate

Part Number	Unit Price	Volume Discount Rate
HMENP	1 - 9 pc(s).	10-50

Ordering Example
Part Number: HMENP

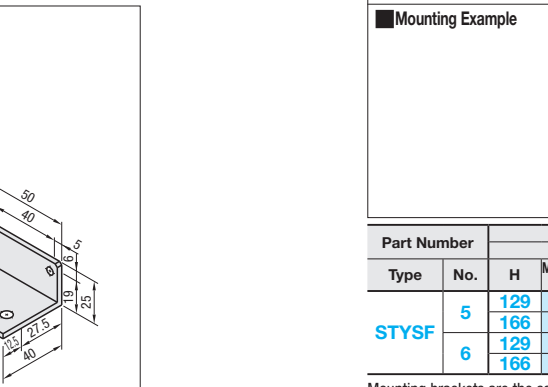
Example



When mounting 5mm thick panel to 40 square
When mounting 5mm thick panel to 30 square
When mounting 3mm thick panel to 30 square
When mounting 3mm thick panel to 20 square

Ball Catch Sets **HBCS**

Material: Ball Catch ① ②: Zinc Alloy (Chrome Plating)
Bracket ③ ④: SPHC (Chrome Plating)
⑤ ⑥: A6063

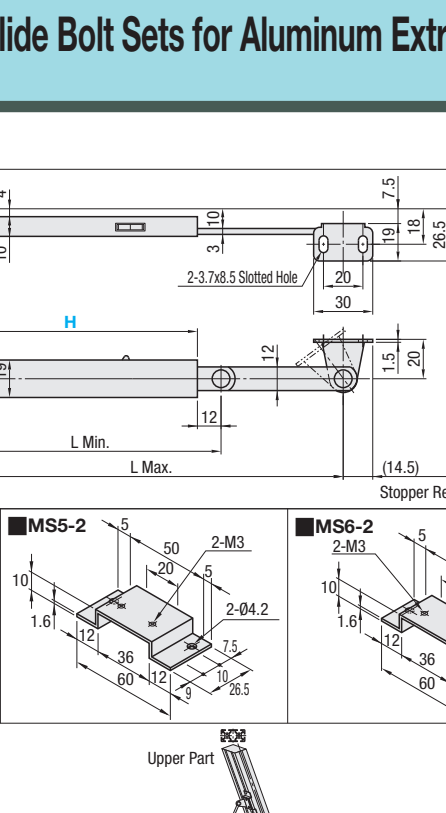


RoHS 10

Part Number	Component										Push Force	Pull Force	Unit Price	Volume Discount Rate				
	Type	No.	Ball Catch	Mounting Bracket	For Catch Fitting		For Extrusion Fitting		Door Side For Catch Fitting									
HBCS	5	①	③	Flathead Screw M4x6	2	SCB5-8	2	HNTT5-5	2	②	Flathead Screw M4x8	2	HNTT5-4	2	27.5N	18.6N		
	6	①	④			SCB5-10	2	HNTT6-5										
	8	①	⑤			SCB5-12	2	HNTT8-5										
	8-45	①	⑥			SCB5-15	2	HNTT8-5										

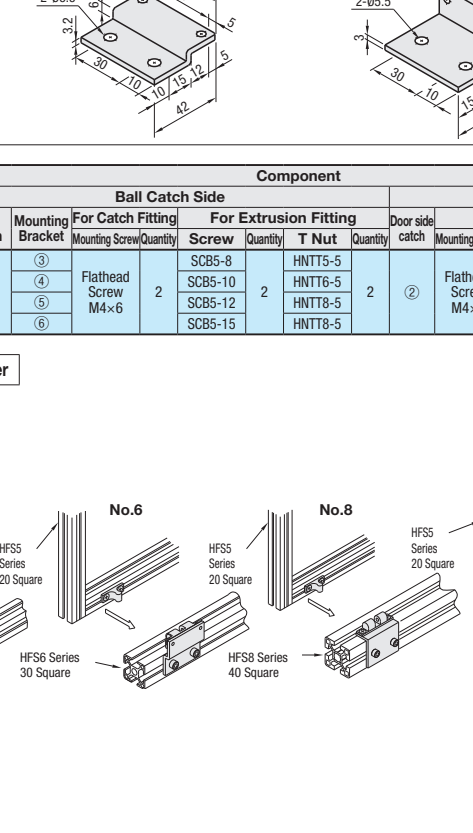
Ordering Example
Part Number: HBCS6

Example



Mounting Example
No.5: HFS5 Series 20 Square
No.6: HFS6 Series 30 Square
No.8: HFS8 Series 40 Square
No.8-45: HFS8 Series 45 Square

Stay Sets for Aluminum Extrusions **STYSF**



RoHS 10

Parts	Material	Surface Treatment
Stay	SUS304	Brushed Finish
Mounting Plate	SPPC	Trivalent Chromate

MS5 2-Ø4.5 Ø8 Countersunk Hole
3-M3
2.3
10
15
10
6.5
53
7.5
35
7.5

MS6 2-Ø4.5 Ø8 Countersunk Hole
3-M3
2.3
10
15
10
6.5
47
7.5
35
7.5

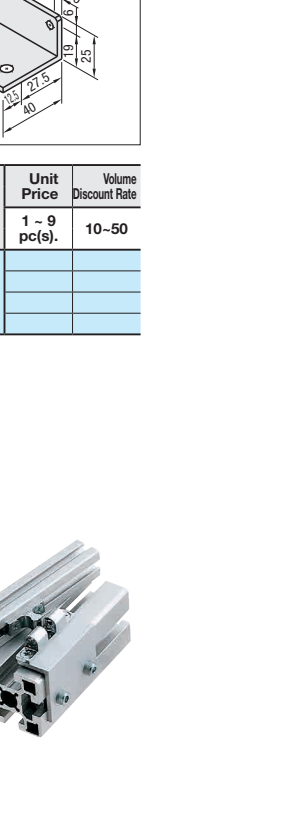
MS5-2 2-M3
5
50
5
2-Ø4.2
10
1.6
12
36
60
12
9
10
26.5

MS6-2 2-M3
5
50
5
2-Ø4.2
10
1.6
12
36
60
12
9
5
22

Mounting Example

STYSF Stay can be attached to aluminum extrusions by using brackets.

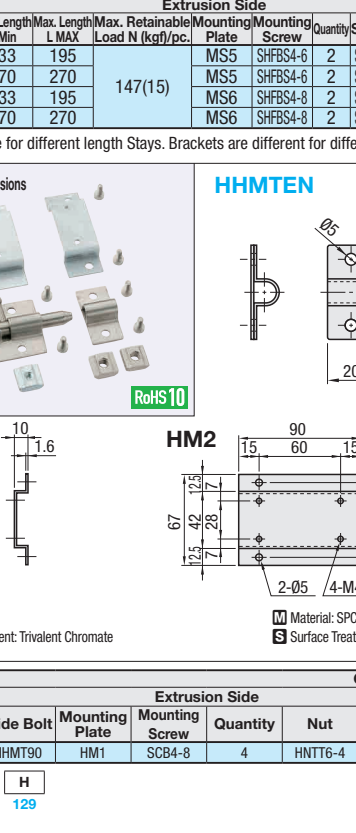
		STYSF Combination of Fitting and Aluminum Extrusion	
		STYSF5	STYSF6
Upper Part		HFS5-2040	HFS6-3060
Lower Part		HFS5-2020	HFS6-3030



Part Number	Type	No.	H	Extrusion Side										Door Side				Unit Price	Volume Discount Rate		
				Min. Length L Min	Max. Length L Max	Max. Retainable Load N (kgf/pc.)	Mounting Plate	Mounting Screw	Quantity	Nut	Quantity	Mounting Plate	Mounting Screw	Quantity	Nut	Quantity					
STYSF	5	129	133	195	147(15)	MS5	SHFBS4-6	2	SCB3-6	3	HNTT5-4	2	MS5-2	SCB4-6	2	SCB3-6	2	HNTT5-4	2		
		166	170	270		MS6	SHFBS4-6	2	SCB3-6		HNTT6-4		MS5-2	SCB4-6		SCB3-6		HNTT5-4			
	129	133	195		MS6	SHFBS4-8	2	SCB3-6		HNTT6-4		MS6-2	SCB4-8		SCB3-6		HNTT6-4				
	166	170	270		MS6	SHFBS4-8	2	SCB3-6		HNTT6-4		MS6-2	SCB4-8		SCB3-6		HNTT6-4				

Mounting brackets are the same for different length Stays. Brackets are different for different Frames.

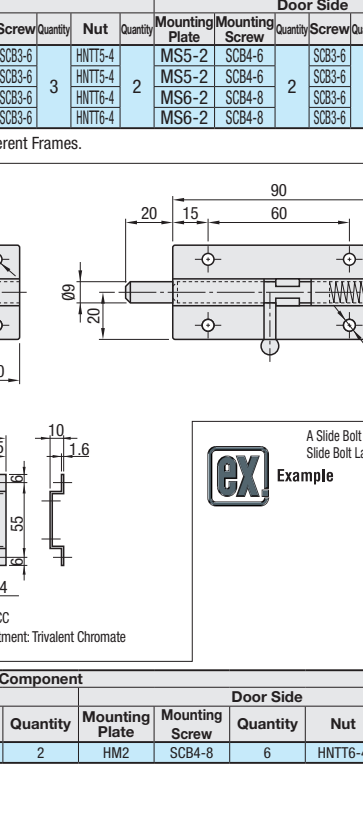
Slide Bolt Sets for Aluminum Extrusions **HHMTEN**



RoHS 10

Material: SUS304

Example



Material: SPPC
Surface Treatment: Trivalent Chromate

Material: SPPC
Surface Treatment: Trivalent Chromate

A Slide Bolt Mounting plate can be used to directly mount a Slide Bolt Latch (HHMT90) to Aluminum Extrusion HFS6.

Part Number	Component										Unit Price	Volume Discount Rate	
	Type	No.	Slide Bolt	Mounting Plate	Mounting Screw	Quantity	Nut	Quantity	Mounting Plate	Mounting Screw			Quantity
HHMTEN	6	HHMT90	HM1	SCB4-8	4	HNTT6-4	2	HM2	SCB4-8	6	HNTT6-4	2	

Ordering Example
Part Number: HHMTEN6