


Aluminum Hinges - Long/Short / Plastic Hinges / Compact Plastic Hinges


Stop Hinges / Low Dust Generation Hinges

Aluminum Hinges

Short



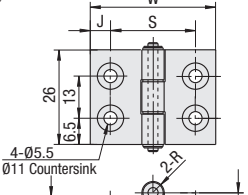
Long



RoHS10

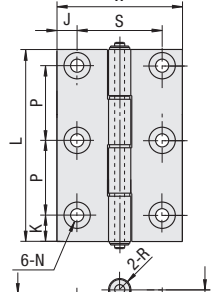
Short

HHPSNC
(Clear Anodize)
HHPBSNC
(Black Anodize)



Long

HHPSNL
(Clear Anodize)
HHPBSNL
(Black Anodize)



Material: A6063S-T5
Bushing: Polyacetal
Surface Treatment: Anodize

Part Number		* Allowable Load		Mass g	W	J	S	T	E	R	Screw, Nut				Clear Anodize		Black Anodize	
Type	No.	kg	N								Screw	Quantity	Nut	Quantity	Unit Price	Volume Discount Rate	Unit Price	Volume Discount Rate
HHPSNC HHPBSNC (Black Anodize)	5	10	98	19	36	7.5	21	5	5	5	4	Flat Head Screw 5-8	HNTT5-5	4	1-8 pc(s)	9-100	1-8 pc(s)	9-100
	6	10	98	24	48	8	32	3.5	5.5	5.5	4	Flat Head Screw 5-10	HNTT6-5	4				
	8-45	15	147	27	62	10	42	4.5	5.5	5.5	4	Flat Head Screw 5-12	HNTT8-5	4				


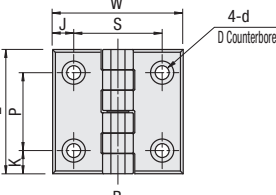
* The allowable load is the value when 2 pieces are used.

Part Number		* Allowable Load		Mass g	L	W	K	P	J	S	N	T	E	R	Screw, Nut				Clear Anodize		Black Anodize		
Type	No.	kg	N												Through	Countersink	Screw	Quantity	Nut	Quantity	Unit Price	Volume Discount Rate	Unit Price
HHPSNL HHPBSNL (Black Anodize)	5	15	147	49	66	36	8	25	7.5	21	5.5	11	3.5	5.5	5	5	Flat Head Screw 5-8	HNTT5-5	6	1-8 pc(s)	9-100	1-8 pc(s)	9-100
	6	15	147	69	78	48	9	30	8	32	6.5	13	4.5	5.5	5	5	Flat Head Screw 6-10	HNTT6-6	6				
	8-45	23	220	106	113	80	13.5	43	10	42	16.5	47	4.5	5.5	5	5	Flat Head Screw 6-12	HNTT8-6	6				

* The allowable load is the value when 2 pieces are used.

Plastic Hinges


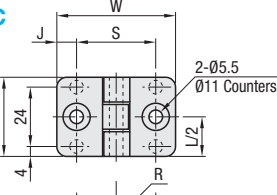
HHPSJ

Material: Leaf: Nylon 6, Shaft: SUS304

Compact Plastic Hinges

HHPSJC

Material: Leaf: Nylon 6, Shaft: SUS304

Part Number		Color	* Allowable Load		Mass g	L	W	K	P	J	S	D	d	T	E	R	h	Screw, Nut				Unit Price		Volume Discount Rate	
Type	No.		kg	N														Screw	Quantity	Nut	Quantity	1-9 pc(s)	10-50		
Plastic Hinges HHPSJ	6	B (Black)	10	96	21	48	47	9	30	8	32	9.5	5.5	6	6.5	12.6	3.8	CBS5-8	HNTT6-5	4	1-9 pc(s)	10-50			
	8	W (White)	15	147	35	59	62	11	37	10	42	11	6.6	7.5	8	14.5	4.4	CBS6-12	HNTT8-6	4					
	845		44	147	44	70	80	13.5	43	16.5	47	11	6.6	7.5	8	14.5	4.4	CBS6-12	HNTT8-6	4					

* The allowable load is the value when 2 pieces are used. The default color will be black unless specified.

Part Number		* Allowable Load		Mass (g)	W	J	S	E	R	Unit Price		Volume Discount Rate	
Type	No.	kg	N							1-9 pc(s)	10-100		
Compact Plastic Hinges HHPSJC	5	10	98	12.5	36	7.5	21	10	5				
	6	10	98	15.8	48	8	32	11	5.5				
	8	10	98	26.2	62	10	42	11	5.5				

* The allowable load is the value when 2 pieces are used.

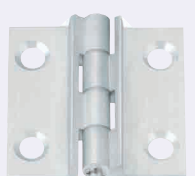
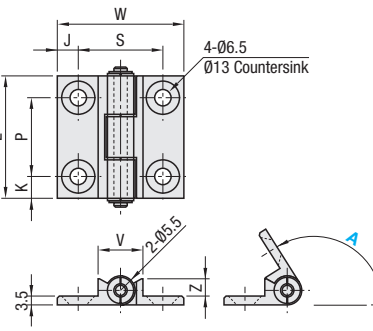
Ordering Example: Part Number - Color
HHPSJ6 - B

Alterations Example: Part Number - Color - (SET, SST)
HHPSJ6 - B - SST

Alterations	Code	Spec.	Hinge	No.	Alterations	Code	Spec.	Hinge	No.	
Applicable Screw and Nut Set	SET SST (Stainless Steel)	Applicable screws and nuts come in a set. When SST is specified, screws and nuts will be in stainless steel. When -SET is specified, the material of the Flat Head Screws is SCM435 and their surface treatment is Black Oxide.	HHPSNC	5	Applicable screws and nuts come in a set. When SST is specified, screws and nuts will be in stainless steel. (Ex.) Screw: CBSST5-8 Nut: HNTT5N6-5	SET SST (Stainless Steel)		HHPSJ	6	
			HHPBSNC	8				8-45	HHPBSJ	8
			HHPSNL	5				HHPBSNL	5	
			HHPBSNL	6				HHPBSNL	6	
			HHPBSNL	8				8-45	HHPBSNL	6
								HHPBSNL	8	
								HHPBSNL	8	
								HHPBSNL	8	

Stop Hinges

HHPSNH


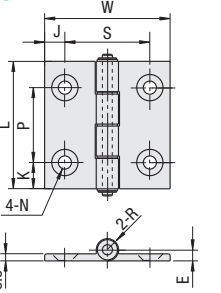
Material: A6063S-T5
Bushing: Polyacetal
Surface Treatment: Clear Anodize

Part Number		A (Angle)	* Allowable Load		Mass g	L	W	K	P	J	S	V	Z	Screw, Nut				Unit Price		Volume Discount Rate	
Type	No.		kg	N										Screw	Quantity	Nut	Quantity	1-8 pc(s)	9-50		
HHPSNH	6	120	10	98	37	47	48	8.5	30	8	32	17	6.8	Flat Head Screw 6-10	4	HNTT6-6	4				
		135	5.4																		
		150	4.2																		
	8	120	10	98	58	63	62	13	37	10	42	21	7.3	Flat Head Screw 6-12	4	HNTT8-6	4				
		135	5.8																		
		150	4.5																		

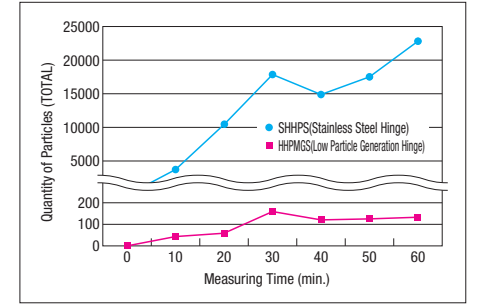
* The allowable load is the value when 2 pieces are used.

Low Dust Generation Hinges

HHPMGS

Material: A6063S-T5
Bushing: Oil Embedded Polyacetal
Surface Treatment: Electroless Nickel Plating



Features

- Excels in friction resistance and sliding characteristics with low dust generation compared with conventional hinges, as the sliding section resin is made from the special material (Oil Embedded Polyacetal).
- The aluminum part is electroless nickel plated instead of conventional anodizing, resulting in better conductivity for less dust collection.
- When mounting the hinges on panels, Hinge Nuts are recommended on P811.

Part Number		* Allowable Load		Mass g	L	W	K	P	J	S	N	E	R	Screw, Nut				Unit Price		Volume Discount Rate	
Type	No.	kg	N											Screw	Quantity	Nut	Quantity	1-8 pc(s)	9-50		
HHPMGS	5	10	98	22	47	36	11	25	7.5	21	5.5	11	5	5	SHFBS5-8	HNTT5N5-5	4				
	6	10	98	33	48	48	8.5	30	8	32	6.5	13	5.5	5.5	SHFBS6-10	HNTT5N6-6	4				
	8	10	98	48	63	62	13	37	10	42	6.5	13	5.5	5.5	SHFBS6-12	HNTT5N8-6	4				

* The allowable load is the value when 2 pieces are used.

Ordering Example: Part Number
HHPMGS6

Alterations Example: Part Number - (SET, SST)
HHPMGS6 - SST

Alterations	Code	Spec.	Hinge	No.
Set of applicable Screws and Nuts	SET SST (Stainless Steel)	Applicable screws and nuts come in a set. When SST is specified, screws and nuts will be in stainless steel. -SET is available for Stop Hinges only. (When -SET is specified, the material of the Flat Head Screws is SCM435 and their surface treatment is Black Oxide.)	HHPSNH	5
			HHPMGS	6
				8
				8