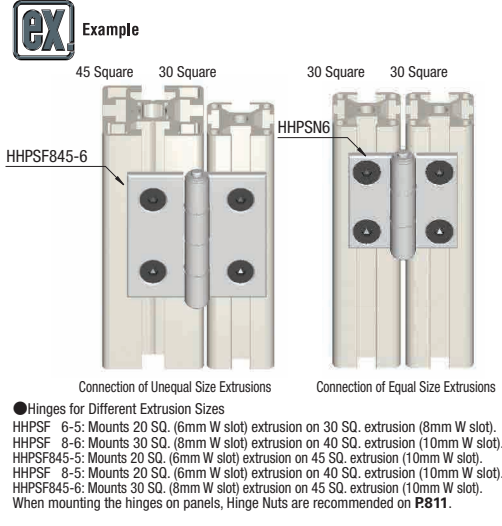
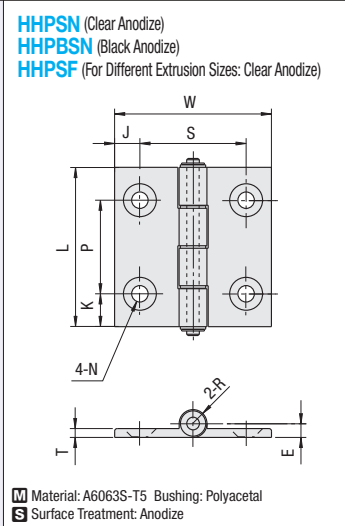


Aluminum Hinges / Aluminum Hinges for Different Extrusion Sizes

Aluminum Hinges with Tabs / Aluminum Hinges with Slotted Holes

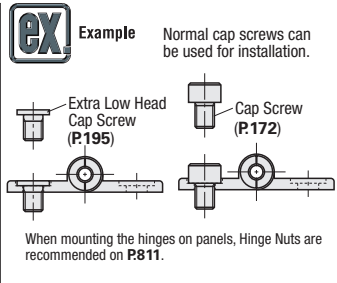
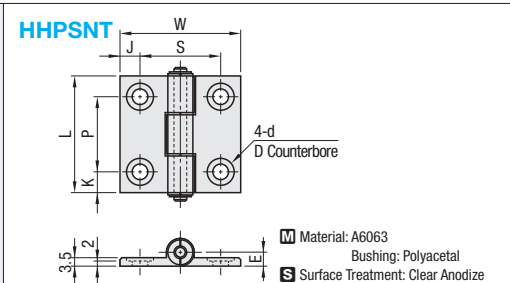


● Hinges for Different Extrusion Sizes
HHPSF 6-5: Mounts 20 SQ. (6mm W slot) extrusion on 30 SQ. extrusion (8mm W slot).
HHPBSN 8-6: Mounts 20 SQ. (8mm W slot) extrusion on 40 SQ. extrusion (10mm W slot).
HHPSF845-5: Mounts 20 SQ. (6mm W slot) extrusion on 45 SQ. extrusion (10mm W slot).
HHPSF 8-5: Mounts 20 SQ. (6mm W slot) extrusion on 40 SQ. extrusion (10mm W slot).
HHPSF845-6: Mounts 30 SQ. (8mm W slot) extrusion on 45 SQ. extrusion (10mm W slot).
When mounting the hinges on panels, Hinge Nuts are recommended on P811.

Material: A6063S-T5 Bushing: Polyacetal
Surface Treatment: Anodize

Part Number	* Allowable Load	Mass	L	W	K	P	J	S	N		T	E	R	Screw, Nut		Clear Anodize/Black Anodize	
									Through	Countersink				Screw	Nut	Unit Price	Volume Discount Rate
HHPSN HHPBSN (Black Anodize)	5	22	47	36	11	25	7.5	21	5.5	11	5	5	5	Flat Head Screw 5-8	HNTT5-5	1-8 pc(s).	9-50
	6	30	48	48	8.5	30	8	32	6.5	13	3.5	5.5	5.5	Flat Head Screw 6-10	HNTT6-6	4	
	8	48	63	62	13	37	10	42	6.5	13	4.5	5.5	5.5	Flat Head Screw 6-12	HNTT8-6	4	
HHPSF (For Different Extrusion Sizes)	8-45	15	147	70	63	80	10	43	16.5	47	4.5	5.5	5.5	Flat Head Screw 6-15	HNTT8-6		
	6-5	10	98	33	47	44.75	8.5	30	10.75	26.5	3.5	5.5	5.5	Flat Head Screw 5-8	HNTT5-5	2	-
	8-5	10	98	43	63	54.25	13	37	15.25	31.5	3.5	5.5	5.5	Flat Head Screw 6-10	HNTT6-6	2	-
HHPSF (For Different Extrusion Sizes)	8-5	10	98	43	63	54.25	13	37	15.25	31.5	3.5	5.5	5.5	Flat Head Screw 5-8	HNTT5-5	2	-
	845-5	10	98	43	63	55.5	13	37	14	34	3.5	5.5	5.5	Flat Head Screw 6-12	HNTT8-6	2	-
	8-6	15	147	48	63	62	13	37	12.5	37	3.5	5.5	5.5	Flat Head Screw 6-15	HNTT8-6	2	-
	845-6	15	147	48	63	62	13	37	11.5	39	3.5	5.5	5.5	Flat Head Screw 6-10	HNTT6-6	2	-

* The allowable load is the value when 2 pieces are used.



Material: A6063
Bushings: Polyacetal
Surface Treatment: Clear Anodize

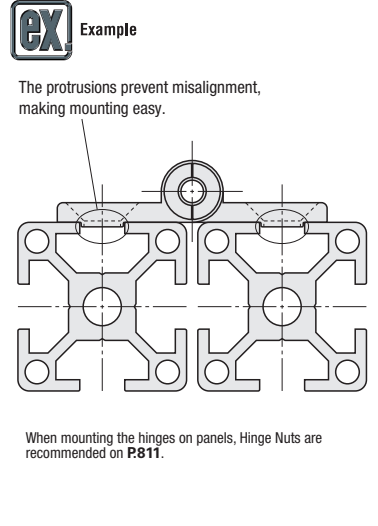
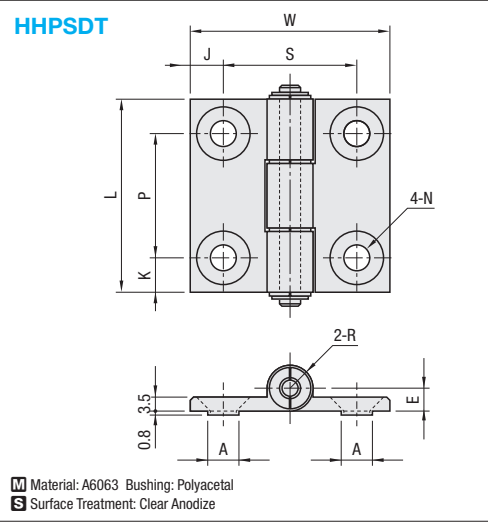
Part Number	* Allowable Load	Mass	L	W	K	P	J	S	d	D	E	Screw, Nut		Unit Price		Volume Discount Rate
												Screw	Nut	1-8 pc(s).	9-50	
HHPSNT	5	22	47	36	11	25	7.5	21	5.5	10	5	CBSA5-6	HNTT5-5	4		
	6	34	48	48	8.5	30	8	32	6.5	11	5.5	CBSA6-8	HNTT6-6	4		
	8	49	63	62	13	37	10	42	6.5	11	5.5	CBSA6-10	HNTT8-6	4		

* The allowable load is the value when 2 pieces are used.

Ordering Example Part Number HHPSN6

Alterations Part Number - (SET, SST) HHPSN6 - SET

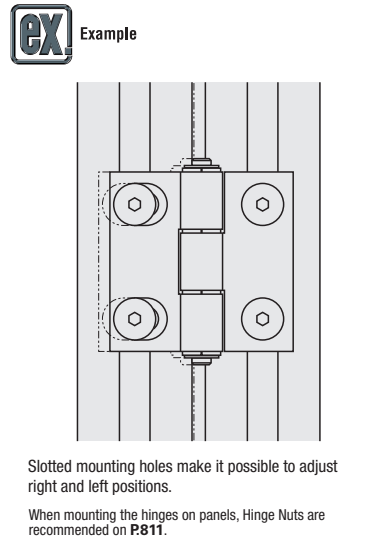
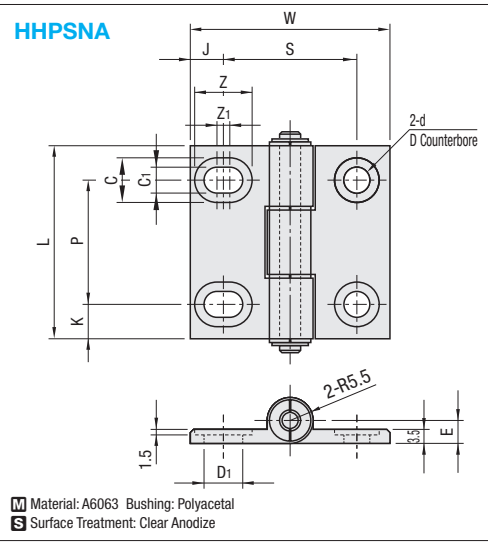
Alterations	Code	Spec.	Hinge	No.
Applicable Screw and Nut Set	SET SST (Stainless Steel)	Applicable screws and nuts come in a set. When SST is specified, screws and nuts will be in stainless steel. (When -SET is specified, the material of the Flat Head Screws is SCM435 and their surface treatment is Black Oxide.)	HHPSN	5
			HHPBSN	6
				8
				8-45
			HHPSNT	6
				8
				6-5 845-5
				8-5 8-6



Material: A6063 Bushing: Polyacetal
Surface Treatment: Clear Anodize

Part Number	* Allowable Load	Mass	L	W	K	P	J	S	N		E	A	R	Screw, Nut		Unit Price		Volume Discount Rate
									Through	Countersink				Screw	Nut	Quantity	Quantity	
HHPSDT	5	23	47	36	11	25	7.5	21	5.5	11	5	5.5	5	Flat Head Screw 5-8	HNTT5-5	4		
	6	35	48	48	8.5	30	8	32	6.5	13	5.5	7.5	5.5	Flat Head Screw 6-10	HNTT6-6	4		
	8	51	63	62	13	37	10	42	6.5	13	5.5	9.5	5.5	Flat Head Screw 6-12	HNTT8-6	4		

* The allowable load is the value when 2 pieces are used.



Material: A6063 Bushing: Polyacetal
Surface Treatment: Clear Anodize

Part Number	* Allowable Load	Mass	L	W	K	P	J	S	d	D	D1	C	C1	Z	Z1	E	Screw, Nut		Unit Price		Volume Discount Rate
																	Screw	Nut	Quantity	Quantity	
HHPSNA	5	22	47	36	11	25	7.5	21	5.5	10	7	10	5.5	11.5	1.5	5	CBSA5-6	HNTT5-5	4		
	6	32	48	48	8.5	30	8	32	6.5	11	9.5	11	6.5	14	3	5.5	CBSA6-8	HNTT6-6	4		
	8	47	63	62	13	37	10	42	6.5	11	11.5	11	6.5	16	5	5.5	CBSA6-10	HNTT8-6	4		

* The allowable load is the value when 2 pieces are used.

Ordering Example Part Number HHPSDT6 HHPSNA6

Alterations Part Number - (SET, SST) HHPSDT6 - SST

Alterations	Code	Spec.	Hinge	No.
Applicable Screw and Nut Set	SET SST (Stainless Steel)	Applicable screws and nuts come in a set. When SST is specified, screws and nuts will be in stainless steel. (When -SET is specified, the material of the Flat Head Screws is SCM435 and their surface treatment is Black Oxide.)	HHPSDT	5
				6
				8
				8
				5
				6