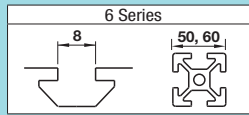


Tabbed Brackets - For 2 Slots

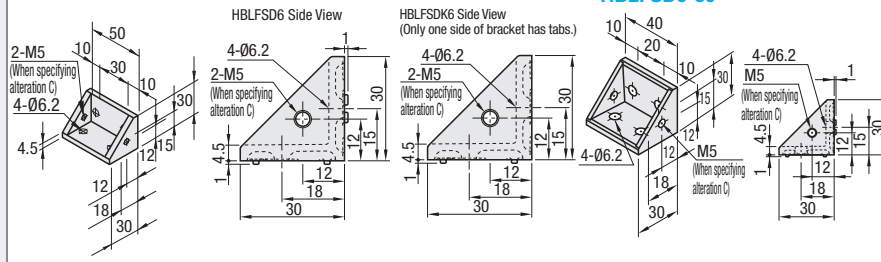
For 6 Series (Slot Width 8mm) Aluminum Extrusions



■ **Features:** Extrusions with 2 slots (HFS6-6060, etc.) can be connected with one bracket.

Tabbed Reversal Brackets

HBLFSD6
HBLFSDK6 (with Single Side Tab)



Material: ADC12

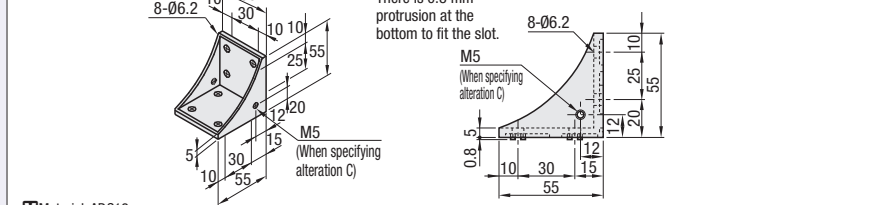
Part Number	Mass (g)	Applicable Screw	T Nut	Allowable Load (N)	Unit Price (1-99 pc(s))	Volume Discount Rate (100-200)
HBLFSD6	28	CBM6-12	HNTT6-6	4	1764	
HBLFSDK6	28					
HBLFSD6-50	24					

ex Example Tabbed Reversal Brackets can be connected in parallel and perpendicular directions to the extrusion slot.

■ **Features:** Brackets for 2-slot extrusions with 4 mounting holes on one side can connect extrusions more securely.

Tabbed Reversal Brackets

HBLFSD6



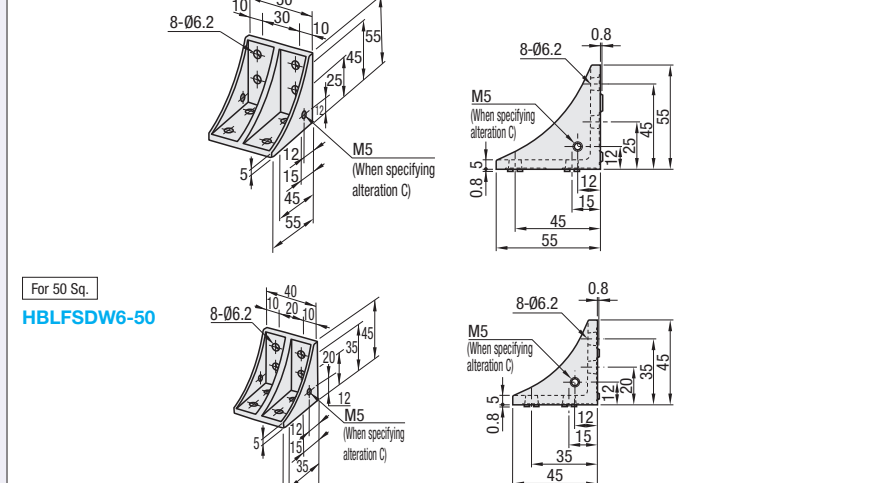
Material: ADC12

Part Number	Mass (g)	Applicable Screw	T Nut	Allowable Load (N)	Unit Price (1-99 pc(s))	Volume Discount Rate (100-200)
HBLFSD6	65	CBM6-12	HNTT6-6	8	2940	

■ **Features:** Ribbed Brackets for 2-slot extrusions with 4 mounting holes on one side can connect extrusions more securely.

Tabbed Reversal Brackets

HBLFSDW6



Material: ADC12

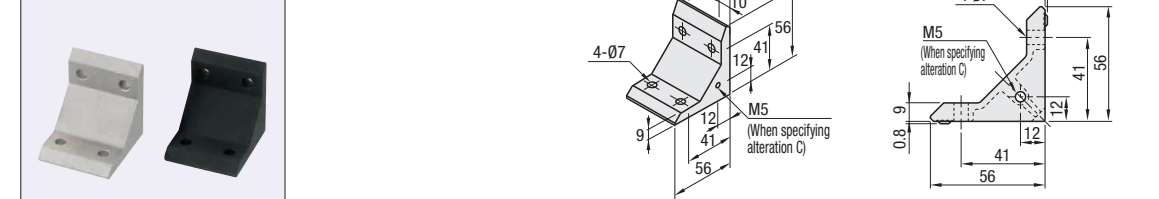
Part Number	Mass (g)	Applicable Screw	T Nut	Allowable Load (N)	Unit Price (1-99 pc(s))	Volume Discount Rate (100-200)
HBLFSDW6	88	CBM6-12	HNTT6-6	8	2940	
HBLFSDW6-50	53					

ex Example Tabbed Reversal Brackets can be connected in parallel and perpendicular directions to the extrusion slot.

■ **Features:** Tabbed Brackets for 2-slot extrusions. Since the tabs stop rotating the brackets when tightening, work efficiency is improved.

Tabbed Brackets

HBLFTD6
HBLFTDB6 (Black Anodize)
HBLFTDM6 (Electroless Nickel Plating)



For 50 Sq.
HBLFTD6-50

Type	Material	Surface Treatment	
HBLFTD6	ADC12	-	
HBLFTD6-50			
HBLFTDB6			Black Anodize
HBLFTDM6			Electroless Nickel Plating

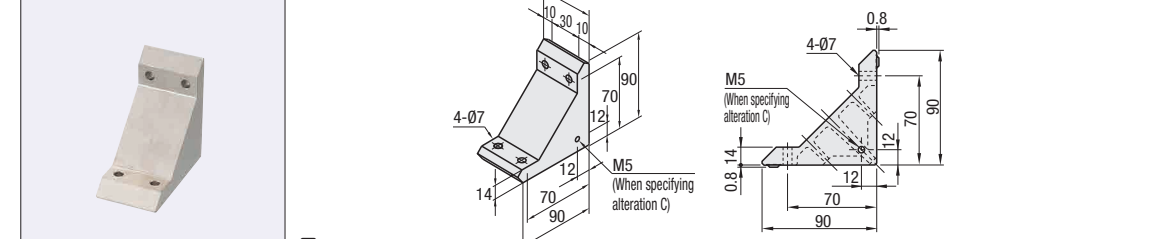
Part Number	Mass (g)	Applicable Screw	T Nut	Allowable Load (N)	Unit Price (1-99 pc(s))	Volume Discount Rate (100-200)
HBLFTD6	88	CBM6-15	HNTT6-6	4	1960	
HBLFTDB6* (Black Anodize)	102					
HBLFTDM6 (Electroless Nickel Plating)						
HBLFTD6-50	86					

* For repairing black anodizing, refer to P846.

■ **Features:** Tabbed Brackets for 2-slot extrusions. Since the tabs stop rotating the brackets when tightening, work efficiency is improved.

Tabbed Brackets

HBLFUD6



Material: ADC12

Part Number	Mass (g)	Applicable Screw	T Nut	Allowable Load (N)	Unit Price (1-99 pc(s))	Volume Discount Rate (100-200)
HBLFUD6	270	CBM6-20	HNTT6-6	4	1960	

Ordering Example Part Number **HBLFTD6**

Alterations Part Number - (C, SET, SST, SEU, SSU, SEP, SSP, SEC)
Alterations Part Number **HBLFTD6** - **SET**

Alterations	Code	Spec.	Applicable Bracket
Mounting Hole Alteration for Cover	C	Adds taps on a bracket for cover mounting. (M5 on Both Sides) (Mounting Screw HCBM on P754)	HBLFSD6
			HBLFSDK6
			HBLFSD6-50
			HBLFSD6-50
			HBLFSDW6
			HBLFSDW6-50
			HBLFTD6
Applicable Screws and Nuts Set	SEP	When specifying other than HBLFSD6, check for the applicable screws and nuts.	HBLFTDB6
			HBLFTDM6
			HBLFTD6-50
			HBLFUD6

Alterations	Code	Spec.	Applicable Bracket
Applicable Screws and Nuts Set	SEP	When specifying other than HBLFSD6, check for the applicable screws and nuts.	HBLFSD6
			HBLFSDK6
			HBLFSD6-50
			HBLFSD6-50
			HBLFSDW6
			HBLFSDW6-50
			HBLFTD6
			HBLFTDB6
			HBLFTDM6
			HBLFTD6-50

⊕ Screws for black anodized brackets are HCBMTB (Trivalent Chromate Black) on P751.
⊕ Included Screw is not RoHS compliant when -SET, -SEU or -SEP other than black anodized brackets is specified.