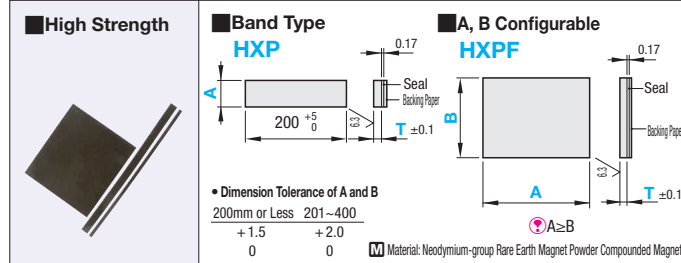


# Rubber Magnets

## High Strength / Strong

Can be cut with scissors or knife. The surface is coated with urethane film. There may be slight unevenness in bonding but does not affect performances.



**Physical and Mechanical Characteristics of Rubber Magnets**

Measurement Item	Testing Method	Neodymium Magnet Rare Earth Magnetic Particle Compounded Rubber	Samarium Iron-Nitrogen Rubber	Isotropic Ferrite Rubber	Anisotropic Ferrite Rubber
Tensile Strength (Mpa)	JIS K6301	3.8	≥3.9	3.9	6.9
Elongation Rate (%)	JIS K6301	55	20	80	50
Hardness (Shore D)	ASTM D2240	30	55	48	49
Volume Resistivity (Ω·m)	JIS K7194	4.75x10 <sup>14</sup>	5.7x10 <sup>3</sup>	4.0x10 <sup>12</sup>	4.0x10 <sup>12</sup>
Heat Resistant Temperature	-	-20 ~ 100°C	-40 ~ 120°C	-10 ~ 50°C	-10 ~ 50°C

Temperature limit for seals is 80°C.

**Band Type**

Part Number	Unit Price							
	A							
Type	T	10	20	30	40	50	80	100
HXP	1.0							
	2.0							

**Magnetic Properties**

Type	T	Attraction Force (g/cm <sup>2</sup> )	Surface Magnetic Flux Density [G]
HXP	1.0	140	1300
	2.0	250	1550

Attraction force and surface magnetic flux density are for reference only.

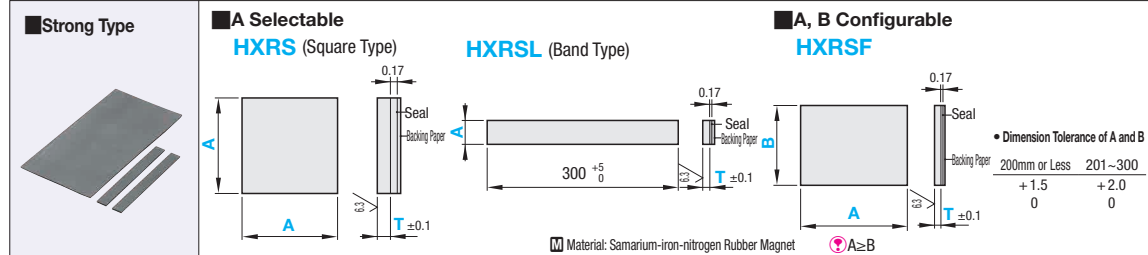
**Ordering Example**

**Band Type**  
 Part Number - A  
 HXP1.0 - 100

**A, B Configurable**  
 Part Number - A - B  
 HXPF2.0 - 305 - 150

**A, B Configurable**

Part Number	T	A 1mm Increment	Unit Price	
			B 1mm Increment	
Type	T	10~100	10~100	101~200
HXP	1.0	10~100		
		101~200		
		201~300		
HXPF	2.0	10~100		
		101~200		
		201~300		



**A Selectable - Square**

Part Number	Unit Price		
	A		
Type	T	100	200
HXRS	0.5		
	1.0		
	1.5		

**A, B Configurable**

Part Number	T	A 1mm Increment	Unit Price	
			B 1mm Increment	
Type	T	10~100	10~100	101~200
HXRS	0.5	10~100		
		101~200		
		201~300		
HXRSF	1.0	10~100		
		101~200		
		201~300		

**A Selectable - Band Type**

Part Number	Unit Price							
	A							
Type	T	10	20	30	40	50	80	100
HXRSL	0.5							
	1.0							
	1.5							

**Magnetic Properties**

Type	T	Attraction Force (g/cm <sup>2</sup> )	Surface Magnetic Flux Density [G]
HXRS HXRSL HXRSF	0.5	27	610
	1.0	98	860
	1.5	142	1030

Attraction force and surface magnetic flux density are for reference only.  
 Usable as simplified magnet catches if mounted on door frame.

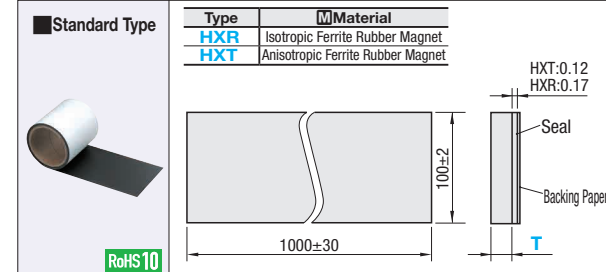
**Ordering Example**

**A Selectable**  
 Part Number - A  
 HXRS1.0 - 100  
 HXRSL1.5 - 50

**A, B Configurable**  
 Part Number - A - B  
 HXRSF0.5 - 110 - 65

# Rubber Magnets / Urethane Coated Magnets

## Standard Type



Part Number	Type	T	Length	Attraction Force (g/cm <sup>2</sup> )		Unit Price	
				HXR	HXT	HXR	HXT
HXR HXT			1m	0.4	16	25	
				0.6	25	60	
				1.0	38	80	
				2.0	54	100	
				3.0	56	110	

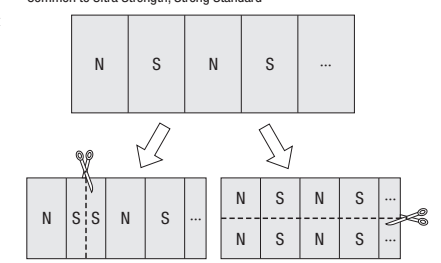
**Part Number**  
 HXR0.6  
 HXT3.0

**Features of Rubber Magnets**

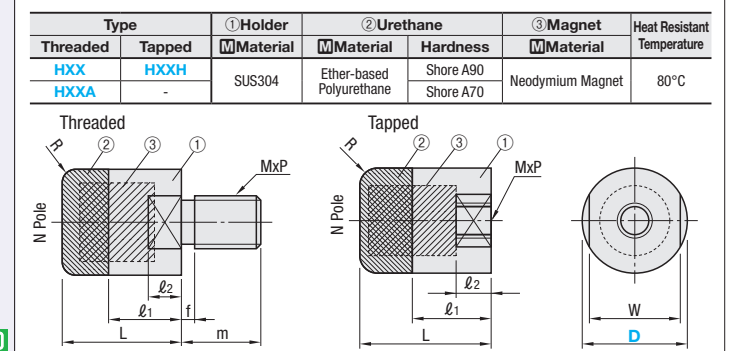
The pole width is as the Table below. For polarity of the magnetic material being cut, see the Rightmost Fig. The seal side has no magnetic force.

Type	T	Pole Width [P] (mm)
HXR	0.4	2.0
	0.6	2.0
	1.0	2.5
	2.0	3.0
	3.0	5.0
HXT	0.4	2.5
	0.6	3.0
	1.0	3.0
	2.0	5.0
	3.0	5.0

**Image of Magnetic Material (when being cut)**



**Urethane Coated Magnets**



**Threaded**

Part Number	MxP (Coarse)	L	l <sub>1</sub>	l <sub>2</sub>	f	m	W	R	Attraction Force N (kgf)	Surface Magnetic Flux Density Gauss [G]	HXX, HXXA		
											Unit Price	Volume Discount Rate	
HXX HXXA	10	M5x0.8	16	10	4	1	7	8	1	4.0 (0.40)	3000~3200	1 - 4 pc(s).	5-50
	12	M6x1.0	16	10	4	1	10	10	2	6.5 (0.66)	2900~3100		
	16	M8x1.25	18	11	5	1	12	14	2	8.0 (0.81)	2700~2900		
	20	M10x1.5	20	13	6	1	14	17	3	17.7 (1.8)	2600~2800		
	25	M10x1.5	22	15	8	1	14	22	3	35.0 (3.56)	2900~3100		

Attraction force and surface magnetic flux density are for reference only.

**Tapped**

Part Number	MxP (Coarse)	L	l <sub>1</sub>	l <sub>2</sub>	W	R	Attraction Force N (kgf)	Surface Magnetic Flux Density Gauss [G]	HXXH		
									Unit Price	Volume Discount Rate	
HXXH	10	M4x0.7	15	9	4	8	1	4.0 (0.40)	3000~3200		
	12	M4x0.7	10	10	10	2	6.5 (0.66)	2900~3100			
	16	M5x0.8	17	10	5	14	2	8.0 (0.81)	2700~2900		
	20	M5x0.8	18	11	6	17	3	17.7 (1.8)	2600~2800		

Attraction force and surface magnetic flux density are for reference only.

**Ordering Example**  
 Part Number  
 HXX10

**Features**

Effective in preventing workpiece from being damaged, and help dampening noise.

