


# Grease Fittings / Hardened Precision Balls

# Temperature Sensing Labels

### Grease Fittings




RoHS10

Fig. 1 shows the thread shape of GPA1.

Type	Material	Surface Treatment
GPA	Material: Free-Cutting Brass (C3604 BD)	Nickel Plating
GPAS	SUS303 Equivalent	-

### GPB




RoHS10

Fig. 2 shows the nipple base shape of GPB6 and GPB6A.

Type	Material	Surface Treatment
GPB	Material: Free-Cutting Brass (C3604 BD)	Nickel Plating

### GPC



RoHS10

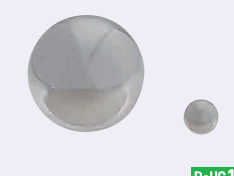
Fig. 2 shows the nipple base shape of GPC6 and GPC6A.

Type	Material	Surface Treatment
GPC	Material: Free-Cutting Brass (C3604 BD)	Nickel Plating

Part Number	Type	No.	d	H	L	E	B	GPA, GPB, GPC		GPAS	
								Unit Price	Volume Discount Rate	Unit Price	Volume Discount Rate
								1 ~ 99 pc(s).	100 ~ 500 pcs.	1 ~ 99 pc(s).	100 ~ 200 pcs.
GPA GPAS		6	M6xP0.75	13.5	5	-	7				
		6A	M6xP1.0	13.5	5	-	7				
		1	R(PT)1/8	20	9	-	10				
GPB		6	M6xP0.75	16.5	5	10	8				
		6A	M6xP1.0	16.5	5	10	8				
		1	R(PT)1/8	21.5	8	12.5	10				
GPC		6	M6xP0.75	17.5	5	10.2	8				
		6A	M6xP1.0	17.5	5	10.2	8				
		1	R(PT)1/8	21.5	8	12.5	10				
		2	R(PT)1/4	25	11	14.2	14				

For orders larger than indicated quantity, please check with WOS.

### Hardened Precision Balls



RoHS10

Type	Dimension	Material	Class	Hardness	Standards
BLIJ	Inch	SUJ2	28	61~67HRC	JIS B1501
BLIS	Inch	SUS440C		59~66HRC	In accordance with JIS-B1501
BLMJ	mm	SUJ2	28	61~67HRC	JIS B1501
BLMS	mm	SUS440C		59~66HRC	In accordance with JIS-B1501

\* Class 28 Standards (JIS-B1501)      μm

Diameter Deviation	max.	0.7
Sphericity	max.	0.7
Surface Roughness	max.	0.05
Diameter Size Variation of the Lot	max.	1.4

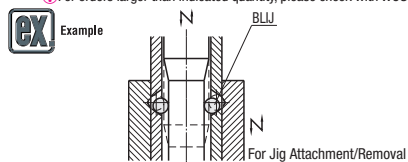
### Inch Standards Type

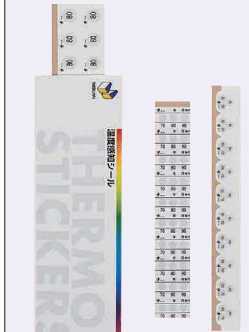
Part Number	Type	No.	SD (Inch)	BLIJ		BLIS			
				Unit Price	Volume Discount Rate	Unit Price	Volume Discount Rate		
				1 ~ 49 pc(s).	50 ~ 99 pcs.	100 ~ 1000 pcs.	1 ~ 49 pc(s).	50 ~ 99 pcs.	100 ~ 1000 pcs.
BLIJ BLIS		8	1/8						
		10	5/32						
		12	3/16						
		14	7/32						
		15	15/64						
		16	1/4						
		17	17/64						
		18	9/32						
		20	5/16						
		22	11/32						
		24	3/8						
26	13/32								

### Metric Standards Type

Part Number	Type	No.	SD (mm)	BLMJ		BLMS			
				Unit Price	Volume Discount Rate	Unit Price	Volume Discount Rate		
				1 ~ 49 pc(s).	50 ~ 99 pcs.	100 ~ 1000 pcs.	1 ~ 49 pc(s).	50 ~ 99 pcs.	100 ~ 1000 pcs.
BLMJ BLMS		3	3						
		3.5	3.5						
		4	4						
		4.5	4.5						
		5	5						
		6	6						
		8	8						

For orders larger than indicated quantity, please check with WOS.



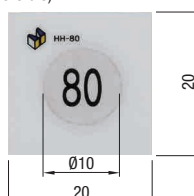


Order Unit: Pack

RoHS10

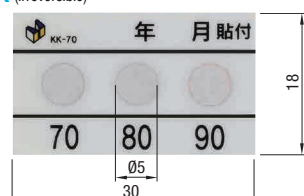
### Single Temperature Labels

#### HH (Irreversible)

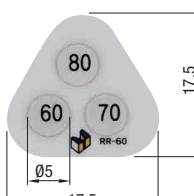


### 3 Increment Temperature Labels

#### KK (Irreversible)



#### RR (Irreversible)



The color change is irreversible and registers the temperature history.

Before: 80 (White) → After: 80 (Red)

The color change is irreversible and registers the temperature history.

Before: 70, 80, 90 (White) → After: 70 (Blue), 80 (Green), 90 (Red)

The color change is irreversible and registers the temperature history.

Before: 60, 70, 80 (White) → After: 60 (Blue), 70 (Green), 80 (Red)

① Surface Film : Polyester Film  
 ② Colored Paper : Wood Pulp High Quality Paper  
 ③ Waxed Paper : Pulp Japanese Paper + Carbon Hydride  
 ④ Adhesive : Acrylic Pressure Sensitive Adhesive  
 ⑤ White Film : Polyester Film  
 ⑥ Adhesive : Acrylic Pressure Sensitive Adhesive

\* Temperature Precision: ±2°C  
 \* Product developed using physical property change of wax. Free of environmentally hazardous substances such as lead, mercury and chrome.  
 \* Features of Petroleum Natural Wax  
 ① Chemically stable material made of saturated hydrocarbon.  
 ② Highly safe material certified as non-carcinogenic.  
 ③ Environmentally friendly biodegradable material.

Part Number	Type	No.	Pcs. per Package	Coloring Temperature (°C)	Color Change	Unit Price	Volume Discount Rate	Example of Use
HH		40	20 pcs.	40	White → Red			• Temperature Management of Manufacturing Process
		50		50				
		60		60				
		70		70				
		80		80				
		90		90				
		110		110				
							• Temperature Management during Transportation	
							• Maintenance of Electric and Electronic Equipment	

Part Number	Type	No.	Pcs. per Package	Coloring Temperature (°C)	Color Change	KK		RR			
						Unit Price	Volume Discount Rate	Unit Price	Volume Discount Rate		
KK RR			20 pcs.	Blue, Green, Red	White → Blue, Green, Red	1 ~ 4 pkg(s).	5 ~ 10 pkgs.	1 ~ 4 pkg(s).	5 ~ 10 pkgs.		
										40	40, 50, 60
										50	50, 60, 70
										60	60, 70, 80
										70	70, 80, 90
										80	80, 90, 100
										90	90, 100, 110

Ordering Example: Part Number RR-40

Ordering Example: Part Number GPA6A, BLIJ16, BLMS3