


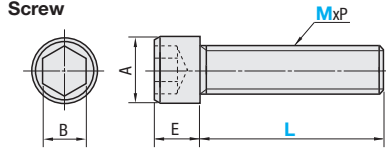
Plastic Hex Socket Head Cap Screws / Plastic Hex Socket Head Set Screws

Material: RENY / PPS / PEEK

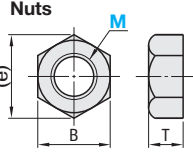


Type				Material
Screw	Nuts	Washers	Set Screws	
RENB	RENN	RENW	-	RENY (Glassfiber Reinforced Polyamide MXD6)
PPSB	PPSN	PPSW	-	PPS (Polyphenylenesulfide)
PEKB	PEKN	PEKW	PEKSF	PEEK (Polyetheretherketone)

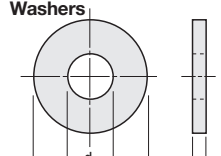
Screw



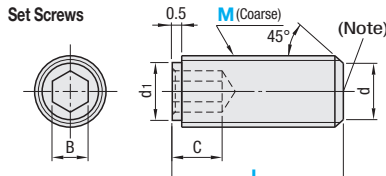
Nuts



Washers



Set Screws



(Note) Gate mark remains.
* Usable as one end threaded posts in combination with Both Ends Tapped Plastic Hex Spacers on P.222.


<Cautions>

- The surface colors of plastic screws, nuts and washers may change somewhat depending on production lot and other conditions.
- Sometimes black spots may be seen on the surface, which does not affect its performance.

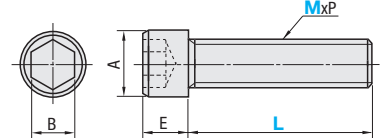
Plastic Hex Socket Head Cap Screws / Plastic Screws

No Knurling

Low Head/Extra Low Head (Available in Pkg.)



Type		Material
PPSBL	PPS (Polyphenylenesulfide) Non-Glass Fiber	
PEKBL	PEEK (Polyetheretherketone)	



The head is not knurled.
More economical than Knurled Type.

Part Number	M-L	MxP	A	E	B	PPSBL			PEKBL		
						Unit Price	Volume Discount Rate	Unit Price	Volume Discount Rate	Unit Price	Volume Discount Rate
PPSBL PEKBL	5-10	5x0.8	8.5	5	4	1 ~ 19 pc(s)	20-49	50-100	1 ~ 19 pc(s)	20-49	50-100
	15										
	20										
	25										
	30										
	6-15	6x1.0	10	6	5						

Ordering Example
Part Number
PPSBL5-20

Plastic Hex Socket Head Cap Screws

Part Number	M x P	A	E	B	Unit Price		Quantity
					* Less than	* or More	
RENB	3-6	5.5	3	2.5	RENB	PPSB	100
PPSB	8				PEKB		
PEKB	10						
	12						
	15						
RENB	4-6	7	4	3			100
PPSB	8						
PEKB	10						
	12						
	15						
RENB	5-8	8.5	5	4			100
PPSB	10						
PEKB	12						
	15						
	20						
RENB	6-10	10	6	5			100
PPSB	12						
PEKB	15						
	20						
	25						
RENB	8-15	13	8	6			50
PPSB	20						
PEKB	25						
	30						
	40						
RENB	10-15	16	10	8			50
	20						
	25						
	30						
	40						
RENB	12-20	18	12	10			50
	25						
	30						
	35						
	40						

Plastic Nuts

Part Number	Type	M	B	(e)	T	Unit Price			Quantity
						1 ~ 99 pc(s)	100 ~ 200 pcs.		
RENN	3	5.5	6.4	2.4					
PPSN	4	7	8.1	3.2					
PEKN	5	8	9.2	4					
	6	10	11.5	5					
	8	13	15	6.5					
	10	17	19.6	8					
	12	19	21.9	10					

Plastic Washers

Part Number	Type	No.	D	d	t	Unit Price			Quantity
						1 ~ 99 pc(s)	100 ~ 200 pcs.		
RENW	3	7	3.2	0.5					
PPSW	4	9	4.3	0.8					
PEKW	5	10	5.3	1					
	6	12.5	6.4	1.6					
	8	17	8.4	1.6					
	10	21	10.5	2.0					
	12	24	13	2.5					

Plastic Set Screws

Part Number	Type	M-L	B	d1	C	d	Unit Price		Quantity
							(Min.)	(Max.)	
PEKSF	3-15	1.5	2.2	2	2				
	4-20	2	2.8	2.5	2.5				
	5-20	2.5	3.6	3	3.5				
	6-25	3	4.4	3.5	4				
	8-30	4	6	5	5.5				

Ordering Example
Part Number
PPSB3-10
PPSN3
PPSW3
PEKSF4-20

•RENY-Glassfiber Reinforced Polyamide MXD6
RENY is based on polyamide MXD6 and is also a crystalline engineered plastic reinforced with 50% glass fiber. It has the highest strength and elasticity among engineered plastics, and excels in both oil and heat resistance. Thus, it is used as an alternative to metal.

•PPS-Polyphenylenesulfide
PPS is a crystalline super engineered plastic. It has excellent heat resistance, and does not deteriorate in physical properties even when it is used for long durations in high temperature atmosphere. In addition, it excels in chemical resistance, mechanical characteristics, electrical properties and dimensional stability.

•PEEK-Polyetheretherketone
PEEK is semicrystalline super engineered plastic with the highest performance. It has the highest chemical resistance among all engineered plastics. The only generally used chemical that can dissolve PEEK is concentrated sulfuric acid. PEEK also excels in heat resistance, abrasion resistance, flame resistance and hydrolysis resistance.

Characteristic Value of Plastics P.221

Low Head (Pkg.)



20 pcs. per pkg.

Ordering Example
Part Number
PACK-RENS 3-6

Part Number	Type	M x P	A	E	B	t	PACK-RENS			PACK-PPSS			PACK-PEKST			Hexalobular Socket Number	t	PACK-RENE		PACK-PPSE		PACK-PEKE					
							Unit Price	Volume Discount Rate	Unit Price	Volume Discount Rate	Unit Price	Volume Discount Rate	Unit Price	Volume Discount Rate	Unit Price			Volume Discount Rate	Unit Price	Volume Discount Rate	Unit Price	Volume Discount Rate					
PACK-RENS PACK-PPSS PACK-PEKST	3-6	3	5.5	2	2	1.5	1-2	3-100	1-2	3-100	1-2	3-100															
	8	x																									
	10	0.5																									
	4-6	4	7	2.8	2.5	2.3																					
	8	x																									
	10	0.7																									
5-8	5	8.5	3.5	3	2.7																						
10	x																										
12	0.8																										
6-10	6	10	4	4	3																						
12	x																										
16	1.0																										

Ordering Example
Part Number
PACK-RENS 3-6
20 pcs. per pkg.

Mechanical Properties (Reference)

	Tensile Breaking Load N										Torsional Breaking Torque N · m											
	RENB	PPSB	PEKB	PPSBL	PEKBL	PACK-RENS	PACK-PPSS	PACK-PEKST	PACK-RENE	PACK-PPSE	PACK-PEKE	RENB	PPSB	PEKB	PPSBL	PEKBL	PACK-RENS	PACK-PPSS	PACK-PEKST	PACK-RENE	PACK-PPSE	PACK-PEKE
M3	635	570	430	-	-	740	447	370	365	265	317	0.39	0.36	0.3	-	-	0.31	0.243	0.15	0.2	0.143	0.15
M4	1470	980	765	-	-	1325	725	730	697	447	624	0.79	0.71	0.64	-	-	0.62	0.436	0.54	0.62	0.285	0.5
M5	2450	1570	1230	836	1208	2050	990	1170	1065	579	1146	1.77	1.42	1.28	0.78	0.8	1.2	0.986	1.11	0.66	0.636	1.09
M6	3140	2250	1670	1580	1835	2798	1747	1666	1604	889	1455	2.94	2.11	2.26	1.86	1.96	2.15	1.496	1.72	1.09	0.876	1.71
M8	5100	3720	3090	-	-	-	-	-	-	-	-	7.85	5.29	5.98	-	-	-	-	-	-	-	-
M10	6900	-	-	-	-	-	-	-	-	-	-	12.75	-	-	-	-	-	-	-	-	-	-
M12	8700	-	-	-	-	-	-	-	-	-	-	24.5	-	-	-	-	-	-	-	-	-	-

Shown above are reference values and not guaranteed. Recommended tightening torque is torsional shear torque x50%. Use a torque driver and torque wrench for tightening.
Mechanical characteristics change depending on the operating environment. Testing is recommended under the applicable conditions prior to usage.