


Hex Socket Set Screws

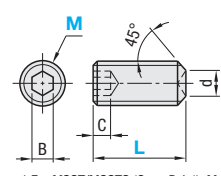
Cup Point/Flat End/Cone Point (Available in Single item)

MSSF, MSSFS, MSSK and MSSU can be ordered in cost-saving boxes. P209, 210

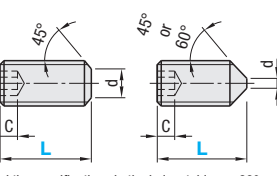
MSSK
MSSU (Stainless Steel)



MSSF
MSSFS (Stainless Steel)



MSST
MSSTS (Stainless Steel)



Type	Material	Hardness	Surface Treatment
MSSK	SCM435		Black Oxide
MSSF	Equivalent	45HRC~	
MSST	Equivalent		Black Oxide
MSSU	SUS304		
MSSFS	Equivalent		
MSSTS	Equivalent		

MxP (Coarse)	B	C (Min.)	d (Max.)		
			Flat End	Cone Point	Cup Point
2x0.4	0.9	0.8	1	0.8	1
2.6x0.45	1.3	1.2	1.5	1.2	1.2
3x0.5	1.5	1.2	2	0.75	1.4
4x0.7	2	1.5	2.5	1	2
5x0.8	2.5	2	3.5	1.25	2.5
6x1.0	3	2	4	1.5	3
8x1.25	4	3	5.5	2	5
10x1.5	5	4	7	2.5	6
12x1.75	6	4.8	8.5	3	8

* For MSST/MSSTS (Cone Point), M>L and the specifications in the below table are 60°. * This product is manufactured based on JIS standards.

M-L			
2-3	3-4	4-5	5-6


Part Number	MSSK (Cup Point)		MSSF (Flat End)		MSST (Cone Point)		MSSU (Cup Point)		MSSFS (Flat End)		MSSTS (Cone Point)	
	Unit Price	Volume Discount Rate	Unit Price	Volume Discount Rate	Unit Price	Volume Discount Rate	Unit Price	Volume Discount Rate	Unit Price	Volume Discount Rate	Unit Price	Volume Discount Rate
Type	M	L	1-9 pcs	10-199 pcs	1-9 pcs	10-199 pcs	1-9 pcs	10-199 pcs	1-9 pcs	10-199 pcs	1-9 pcs	10-199 pcs
2 -	2	2										
2.6 -	3	3										
3 -	2.5	2.5										
4 -	3	3										
5 -	4	4										
6 -	5	5										
8 -	6	6										
10 -	8	8										
12 -	10	10										
15 -	12	12										
16 -	15	15										
20 -	20	20										
25 -	25	25										
30 -	30	30										
30 -	30	30										

Note that, for some of the types shown here, order might be unable to be received by the MISUMI Malaysia, Indonesia and/or India offices.

Hex Socket Set Screws / Hex Socket Cap Screws / Crush Pads


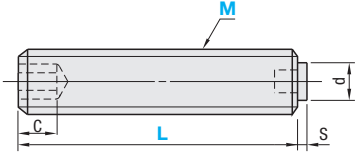
Soft Tips / Head Cap Screws

Hex Socket Set Screws Soft Tips



RoHS 10

Type	Thread's Material	Surface Treatment	Pad Material
SBPP	SCM435	Black Oxide	Polyacetal (White)
SBPC			Free-cutting Brass (C3604BD)
SBCP			Urethane (Shore A70, Black)
SBPPS	SUS304 Equivalent		Polyacetal (White)
SBCPS			Free-cutting Brass (C3604BD)
SBCTS			Urethane (Shore A70, Black)





Part Number	Type	M (Coarse)	L										S	d	B	C (Min.)					
			⊕ Dimensions in () are only applicable to SBPP and SBPC.																		
SBPP	SBPP	3	5	6	8	10	12	16	20						0.5	1.5	1.5	2.0			
SBPPS	SBPPS	4	6	8	10	12	16	20							1	2	2	2.5			
SBPC	SBPC	5			8	10	12	16	20	25					1	3	2.5	3.0			
SBPPS	SBPPS	6			8	10	12	16	20	25	30	40	50					1	4	3	3.5
		8			10	12	16	20	25	30	40	50	(60)					2	6	4	5.0
SBCT	SBCT	10			12	16	20	25	30	40	50	(60)	(80)					2	8	5	6.0
SBCTS	SBCTS	12			16	20	25	30	40	50	(60)	(80)	(100)					2	10	6	8.0

M (Coarse)	Unit Price					
	SBPP	SBPC	SBCT	SBPPS	SBCPS	SBCTS
3						
4						
5						
6						
8						
10						
12						


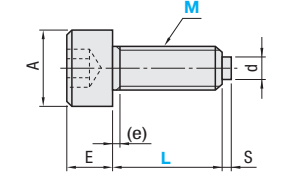
Ordering Example: Part Number - L
SBPP10 - 50

Hex Socket Set Screws Head Cap Screws




RoHS 10

Type	Material Thread	Surface Treatment	Material Pad
CBPP	SCM435	Black Oxide	Polyacetal (White)
CBPC			Free-cutting Brass (C3604BD)
CBPPS			Polyacetal (White)
CBCPS	SUS304 Equivalent		Free-cutting Brass (C3604BD)
CBCP			

Part Number	Type	M (Coarse)	L	A	E	S	d	B	(e)	CBPP		CBPC		CBPPS		CBCPS	
										Unit Price	Volume Discount Rate	Unit Price	Volume Discount Rate	Unit Price	Volume Discount Rate	Unit Price	Volume Discount Rate
CBPP	CBPP (Plastic Pad)	3	10 15 20	5.5	3	0.5	1.5	2.5	0.5								
CBPPS	CBPPS	4	10 15 20	7	4	1	2	3	0.6								
CBCP	CBCP (Brass Pad)	5	15 20 30	8.5	5	1	3	4	0.6								
CBCPS	CBCPS	6	15 20 30	10	6	1	4	5	0.7								
		8	20 30 40	13	8	2	6	6	1.0								

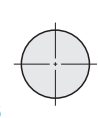
Crush Pads



50 pcs. per Pkg.

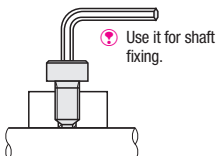
SEPN
SEPN (Thin)
(50 pcs. per Pkg.)

PACK-SEPN
PACK-SEPN
PACK-SEPN



⊕ Material: C3604BD

EX Example



Use it for shaft fixing.

Part Number	Type	Applicable M	d	t		C	Unit Price 1 to 100 (Single item)	PACK-SEPN, PACK-SEPN		
				SEPN	SEPN			Unit Price	Volume Discount Rate	
SEPN	SEPN	*3	2.2	2.0	0.5	*0.2				
SEPN	SEPN	*4	3.0	2.5						
SEPN	SEPN	*5	3.9	3.0						
SEPN	SEPN	*6	4.7	3.5	1.0					
SEPN	SEPN	8	6.4	4.5	-					
PACK-SEPN	PACK-SEPN (50 pcs. per Pkg.)	10	8.2	5.5	-	*0.3				
PACK-SEPN	PACK-SEPN (50 pcs. per Pkg.)	12	9.9	6.5	-					

⊕ SEPN is available only in M3 through M6. * For SEPNs, C<0.1 ⊕ PACK-SEPN is available only in M3 through M6.
⊕ When placing an order for PACK-SEPN or PACK-SEPN, please specify number of packages. 1 package to be delivered includes 50 pieces.

Ordering Example: Part Number MSSF5-10

Ordering Example: Part Number CBPP3-10 SEPN5 PACK-SEPN4

⊕ Use this set piece to prevent set screw from damaging the mating material.

Configurable Length Screws with Hex Sockets

Tip Shape Selectable

Configurable Length Screws with Hex Sockets Tip Shape Selectable



Type	Material	Surface Treatment	Pad
FSSF FSST FSSC FSSG	S45C	Black Oxide	-
FSSM	SCM435	Black Oxide Coating	White Polyacetal
FSSU	SCM435	Free-cutting Brass (C3604BD)	-
FSSFS FSSTS FSSGS	SUS304	-	-
FSSMS	Equivalent	-	White Polyacetal
FSSUS	Equivalent	-	Free-cutting Brass (C3604BD)

Type	Material	Hardness	Surface Treatment
MSSG	SCM435	45HRC~	Black Oxide
CBBG	SCM435	38~43HRC	Black Oxide
CBBGS	SUS304 Equivalent	-	-

Type	Material	Hardness	Surface Treatment
FMSSG	SCM435	45HRC~	Black Oxide
FCBBG	SCM435	38~43HRC	Black Oxide
FMSSGS FCBBGS	SUS304 Equivalent	-	-

Part Number	Type	M	L 1mm Increment	B	C (Min.)	d (Max.)					S (with Plastic / Brass Pad)	b (Dog Point)
						Flat End	Cone Point	Cup Point	Dog Point	with Plastic / Brass Pad		
FSSF (Flat End)		5	20~250	2.5	3	3.5	1.25	2.5	4	3	1	4
FSSFS (Flat End, Stainless Steel)		6		3.0	3.5	4.0	1.5	3	4	4	1	4
FSST (Cone Point)		8	20~400	4.0	5	5.5	2.0	5	6	5	2	5
FSSTS (Cone Point, Stainless Steel)		8		4.0	5	5.5	2.0	5	6	5	2	5
FSSC (Cup Point)		10		5.0	6	7	2.5	6	8	6	2	6
FSSG (Dog Point)		12		6.0	8	8.5	3	8	8	8	2	7
FSSGS (Dog Point, Stainless Steel)		12	6.0	8	8.5	3	8	8	8	2	7	
FSSM FSSMS (Plastic Pad)		16	20~400	8.0	10	12	4	10	10	10	3	9
FSSU FSSUS (Brass Pad)		20		10.0	12	15	5	14	12	13	3	11

Ordering Example: Part Number - L
FSTS6 - 100

M	L	FSSF	FSST	FSSC	FSSG	FSSM	FSSU	FSSFS	FSSTS	FSSGS	FSSMS	FSSUS
5	20~100											
	101~200											
	201~250											
6	20~100											
	101~200											
	201~250											
8	20~100											
	101~200											
	201~400											
10	20~100											
	101~200											
	201~400											
12	20~100											
	101~200											
	201~400											
16	20~100											
	101~200											
	201~400											
20	20~100											
	101~200											
	201~400											

Alterations Example: Part Number - L - (SKH)
FSTS6 - 100 - SKH

Alteration Code	Tip Induction Hardened
SKH	Induction hardening at 2 ~ 3mm away from the tip. Hardness: 40 ~ 45HRC [Ordering Code]SKH *Applicable only to FSSF, FSST and FSSG.

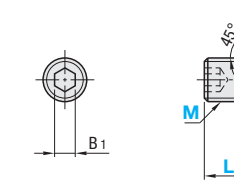
Hexagon Socket Screws - Dog Point

Hex Socket Set Screws / Hex Socket Head Cap Screws Standard and Configurable

Hexagon Socket Screws - Dog Point

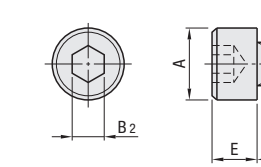


MSSG (Hex Socket Set Screws)



These differ from JIS dog point set screws in dimension of nose portion.
Use for rough locking of shafts, etc. where continuous load is not imparted to the nose portion.

CBBG (Hex Socket Head Cap Screws, Stainless Steel)



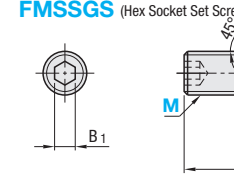
Type	Material	Hardness	Surface Treatment
MSSG	SCM435	45HRC~	Black Oxide
CBBG	SCM435	38~43HRC	Black Oxide
CBBGS	SUS304 Equivalent	-	-

Part Number	Type	M (Coarse)	L	B1	B2	A	E	d	Reference Dim.	Tolerance	b	C	R	Unit Price				
														MSSG	CBBG	CBBGS		
MSSG CBBG CBBGS	4	12	16	20	25	30	2	3	7	4	3	-0.1	3	0.3	0.5			
	5	12	16	20	25	30	2.5	4	8.5	5	4	-0.2	4	0.3	0.5			
	6	12	16	20	25	30	3	5	10	6	4	-0.1	5	0.5	1			
	8	16	20	25	30	35	40	4	6	13	8	-0.1	5	0.5	1			
	10	20	25	30	35	40	45	5	8	16	10	-0.3	6	1	1			

Hexagon Socket Screws - Dog Point Configurable

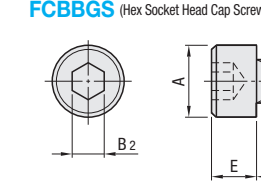


FMSSG (Hex Socket Set Screws)



Use for rough locking of shafts, etc. where continuous load is not imparted to the nose portion.

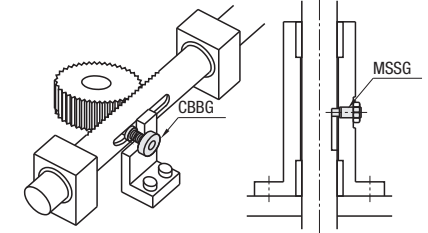
FCBBG (Hex Socket Head Cap Screws, Stainless Steel)



Type	Material	Hardness	Surface Treatment
FMSSG	SCM435	45HRC~	Black Oxide
FCBBG	SCM435	38~43HRC	Black Oxide
FMSSGS FCBBGS	SUS304 Equivalent	-	-

Part Number	Type	M (Coarse)	L 1mm Increment			F 1mm Increment	B1	B2	A	E	d	Reference Dim.	Tolerance	b	C	R	Unit Price			
			FMSSG	FMSSGS	FCBBG												FCBBGS	FMSSG	FMSSGS	FCBBG
FMSSG FMSSGS FCBBG FCBBGS	4	12	16	20	25	26-50	-	3	7	4	3	-0.1	3	0.3	0.5	1				
	5	12	16	20	25	26-50	2.5	4	8.5	5	4	-0.2	4	0.3	0.5	1				
	6	12	16	20	25	30	26-50	3	5	10	6	-0.1	5	0.5	1	1				
	8	16	20	25	30	35	31-70	4	6	13	8	-0.1	5	0.5	1	1				
	10	20	25	30	35	40	41-75	5	8	16	10	-0.3	6	0.5	1	1				

Ordering Example: Part Number - L - F
FMSSG5 - 16
FMSSG6 - 50 - 20



Alterations Example: Part Number - L - (RC, RS)
CBBGS - 20 - RS

Alterations	Tip R Machining				Undercut			
	M	R	b	F	M	f	g	r
Code	RC				RS			
Spec.	Adds Tip R Processing to the tip of a nose portion. *Not applicable to CBBG. [Ordering Code]RC				Adds an undercut below the head of Head Cap Screws. *Applicable only to CBBG, FCBBG and FCBBGS. [Ordering Code]RS			
	4	3	3	3	4	3.2	1.5	0.2~0.3
	5	4	4	4	5	4.1	2	0.2~0.5
	6	4	4	4	6	4.9	2	0.2~0.5
	8	6	5	5	8	6.6	2.5	0.2~0.5
	10	8	6	6	10	8.3	2.5	0.2~0.5

*Alterations only to FCBBG, FCBBGS. Can be used in combination with RC and RS.