


# Cover Screws

# Cover Screws

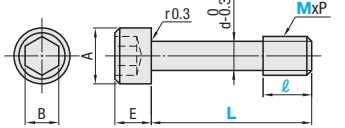
## Extra Low Head, Low Head, Button Head Cap

**Available in Box**



**RoHS10**

| Type     | Material          | Strength Class   |
|----------|-------------------|------------------|
| BOX-GUTB | SUS304 Equivalent | A2-70 Equivalent |



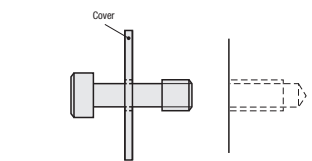
| MxP (Coarse) | A   | E | B   | d   |
|--------------|-----|---|-----|-----|
| 3x0.5        | 5.5 | 3 | 2.5 | 2.2 |
| 4x0.7        | 7   | 4 | 3   | 3   |
| 5x0.8        | 8.5 | 5 | 4   | 3.9 |
| 6x1.0        | 10  | 6 | 5   | 4.5 |
| 8x1.25       | 13  | 8 | 6   | 6.3 |

Box package is cost-saving for in-house stock or when large quantities are needed.

| Part Number                   | Unit Price 1 to 10 boxes |    |              | Pcs./Box     |
|-------------------------------|--------------------------|----|--------------|--------------|
|                               | Type                     | M  | L            |              |
| BOX-GUTB<br>(Stainless Steel) | 3                        | 4  | 10           | 200 pcs./box |
|                               |                          |    | 12           |              |
|                               |                          |    | 15           |              |
|                               |                          |    | 20           |              |
|                               |                          |    | 25           |              |
|                               | 4                        | 3  | 8            | 200 pcs./box |
|                               |                          |    | 10           |              |
|                               |                          |    | 12           |              |
|                               |                          |    | 15           |              |
|                               |                          |    | 20           |              |
| 5                             | 6                        | 12 | 200 pcs./box |              |
|                               |                          | 15 |              |              |
|                               |                          | 20 |              |              |
|                               |                          | 25 |              |              |
|                               |                          | 30 |              |              |
| 6                             | 8                        | 25 | 200 pcs./box |              |
|                               |                          | 30 |              |              |
|                               |                          | 35 |              |              |
|                               |                          | 40 |              |              |
|                               |                          | 45 |              |              |
| 8                             | 10                       | 25 | 200 pcs./box |              |
|                               |                          | 30 |              |              |
|                               |                          | 35 |              |              |
|                               |                          | 40 |              |              |
|                               |                          | 45 |              |              |

For orders larger than indicated quantity, please check with WOS.

The screw will not drop off from the cover when the cover is removed from the frame. (The cover requires tap machining to prevent screws from falling off.)



Available as a single item. (See below)

The strength class signifies the screw's tensile strength. (EX) A2-70 This indicates that the minimum value of tensile strength is 700N/mm<sup>2</sup>. The steel class is A2 (Austenitic Stainless Steel)

Please specify in box quantity when ordering. One box is shipped for an order of 1.

Ordering Example

Part Number  
BOX-GUTB5-6-20

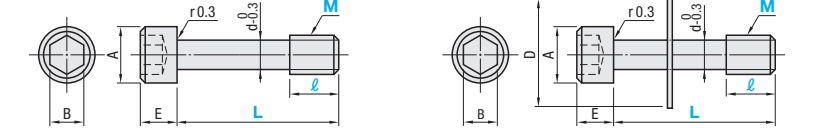
**Available in Single item**



**RoHS10**

**GUTB**

**GUTBN (With Nylon Washer)**



| M   | A   | E   | B   | d   | D  |
|-----|-----|-----|-----|-----|----|
| 2   | 3.8 | 2   | 1.5 | 1.5 | -  |
| 2.6 | 4.5 | 2.5 | 2   | 1.8 | -  |
| 3   | 5.5 | 3   | 2.5 | 2.2 | 7  |
| 4   | 7   | 4   | 3   | 3   | 10 |
| 5   | 8.5 | 5   | 4   | 3.9 | 12 |
| 6   | 10  | 6   | 5   | 4.5 | 12 |
| 8   | 13  | 8   | 6   | 6.3 | 14 |

The screw will not drop off from the cover when the cover is removed from the frame. (The cover requires tap machining to prevent screws from falling off.)

Strength Class: A2-70 Equivalent  
Material: SUS304 Equivalent

| Part Number | Type | M (Coarse) | L            | GUTB         |                      |
|-------------|------|------------|--------------|--------------|----------------------|
|             |      |            |              | Unit Price   | Volume Discount Rate |
| 2           | 2.5  | 4          | 6 8 10 12 15 | 1 - 29 pc(s) | 30 - 500 pcs.        |
| 2.6         | 3    | 6          | 8 10 12 15   |              |                      |
| 3           | 3.5  | 6          | 8 10 12 15   |              |                      |
| 4           | 4    | 8          | 10 12 15 20  |              |                      |
| 5           | 5    | 10         | 12 15 20     |              |                      |
| 6           | 6    | 12         | 15 20 25     |              |                      |
| 8           | 8    | 15         | 20 25 30     |              |                      |
| 10          | 10   | 20         | 25 30 40     |              |                      |

| Part Number | Type | M (Coarse) | L           | GUTBN      |                      |
|-------------|------|------------|-------------|------------|----------------------|
|             |      |            |             | Unit Price | Volume Discount Rate |
| 2           | 2    | 4          | 8 12 15     |            |                      |
| 3           | 3.5  | 6          | 8 10 12 15  |            |                      |
| 4           | 4    | 8          | 10 12 15 20 |            |                      |
| 5           | 5    | 10         | 12 15 20    |            |                      |
| 6           | 6    | 12         | 15 20 25    |            |                      |
| 8           | 8    | 15         | 20 25 30    |            |                      |
| 10          | 10   | 20         | 25 30 40    |            |                      |

Alterations

Part Number - MC  
GUTB5 - MC5-LC10

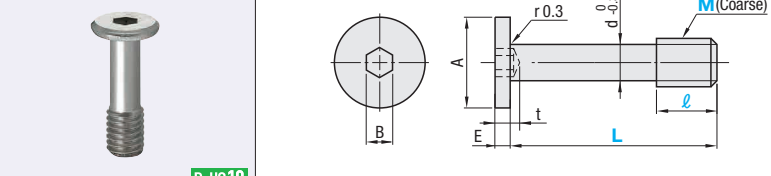
| Alteration | Code | Spec.                                                                                                                                                                                                                                                                                                                                                                                                                                                                        |   |      |      |   |    |    |   |     |      |   |      |      |     |     |      |   |      |      |   |     |      |   |      |      |   |      |      |  |
|------------|------|------------------------------------------------------------------------------------------------------------------------------------------------------------------------------------------------------------------------------------------------------------------------------------------------------------------------------------------------------------------------------------------------------------------------------------------------------------------------------|---|------|------|---|----|----|---|-----|------|---|------|------|-----|-----|------|---|------|------|---|-----|------|---|------|------|---|------|------|--|
| MC         | MC   | Thread length and L dimension can be specified in 1mm increments.<br>Ordering Code: MC3-LC10                                                                                                                                                                                                                                                                                                                                                                                 |   |      |      |   |    |    |   |     |      |   |      |      |     |     |      |   |      |      |   |     |      |   |      |      |   |      |      |  |
|            |      | <table border="1"> <thead> <tr> <th>M</th> <th>MC</th> <th>LC</th> <th>M</th> <th>MC</th> <th>LC</th> </tr> </thead> <tbody> <tr><td>2</td><td>2-6</td><td>4-15</td><td>5</td><td>3-15</td><td>8-25</td></tr> <tr><td>2.6</td><td>2-8</td><td>6-15</td><td>6</td><td>4-18</td><td>8-30</td></tr> <tr><td>3</td><td>2-9</td><td>4-20</td><td>8</td><td>5-24</td><td>8-40</td></tr> <tr><td>4</td><td>3-12</td><td>6-20</td><td></td><td></td><td></td></tr> </tbody> </table> | M | MC   | LC   | M | MC | LC | 2 | 2-6 | 4-15 | 5 | 3-15 | 8-25 | 2.6 | 2-8 | 6-15 | 6 | 4-18 | 8-30 | 3 | 2-9 | 4-20 | 8 | 5-24 | 8-40 | 4 | 3-12 | 6-20 |  |
| M          | MC   | LC                                                                                                                                                                                                                                                                                                                                                                                                                                                                           | M | MC   | LC   |   |    |    |   |     |      |   |      |      |     |     |      |   |      |      |   |     |      |   |      |      |   |      |      |  |
| 2          | 2-6  | 4-15                                                                                                                                                                                                                                                                                                                                                                                                                                                                         | 5 | 3-15 | 8-25 |   |    |    |   |     |      |   |      |      |     |     |      |   |      |      |   |     |      |   |      |      |   |      |      |  |
| 2.6        | 2-8  | 6-15                                                                                                                                                                                                                                                                                                                                                                                                                                                                         | 6 | 4-18 | 8-30 |   |    |    |   |     |      |   |      |      |     |     |      |   |      |      |   |     |      |   |      |      |   |      |      |  |
| 3          | 2-9  | 4-20                                                                                                                                                                                                                                                                                                                                                                                                                                                                         | 8 | 5-24 | 8-40 |   |    |    |   |     |      |   |      |      |     |     |      |   |      |      |   |     |      |   |      |      |   |      |      |  |
| 4          | 3-12 | 6-20                                                                                                                                                                                                                                                                                                                                                                                                                                                                         |   |      |      |   |    |    |   |     |      |   |      |      |     |     |      |   |      |      |   |     |      |   |      |      |   |      |      |  |
|            |      | LC-MC≥1                                                                                                                                                                                                                                                                                                                                                                                                                                                                      |   |      |      |   |    |    |   |     |      |   |      |      |     |     |      |   |      |      |   |     |      |   |      |      |   |      |      |  |

Ordering Example

Part Number - l - L  
GUTB5 - 6 - 12  
GUTBN3 - 4 - 12

**Extra Low Head**

**GUTBG**



**RoHS10**

| Reference Tensile Breaking Load (N) |      |
|-------------------------------------|------|
| M3                                  | 1160 |
| M5                                  | 2520 |

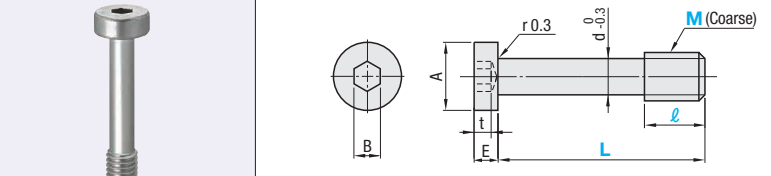
\*The above data are for reference, not guaranteed.

Material: SUS304 Equivalent

| Part Number | Type | M  | l              | L         | A   | E   | B   | d   | t max. | Unit Price | Volume Discount Rate |
|-------------|------|----|----------------|-----------|-----|-----|-----|-----|--------|------------|----------------------|
|             |      |    |                |           |     |     |     |     |        |            |                      |
| GUTBG       | 3    | 4  | 2              | 5 6 8 10  | 6   | 1.3 | 1.5 | 2.2 | 2      |            |                      |
|             |      |    | 3.5            | 6 8 10    |     |     |     |     |        |            |                      |
|             |      |    | 4              | 8 10      |     |     |     |     |        |            |                      |
|             |      |    | 5              | 10 12     |     |     |     |     |        |            |                      |
|             |      |    | 6              | 12 16     |     |     |     |     |        |            |                      |
|             |      |    | 8              | 16 20 25  |     |     |     |     |        |            |                      |
|             | 4    | 3  | 3              | 6 8 10 12 | 8   | 1.5 | 2   | 3   | 2.5    |            |                      |
|             |      |    | 4              | 8 10 12   |     |     |     |     |        |            |                      |
|             |      |    | 5              | 10 12 16  |     |     |     |     |        |            |                      |
|             |      |    | 6              | 12 16     |     |     |     |     |        |            |                      |
|             |      |    | 8              | 16 20 25  |     |     |     |     |        |            |                      |
|             |      |    | 10             | 20 25     |     |     |     |     |        |            |                      |
| 5           | 6    | 3  | 8 10 12 16     | 9         | 1.5 | 3   | 3.9 | 3   |        |            |                      |
|             |      | 4  | 10 12 16       |           |     |     |     |     |        |            |                      |
|             |      | 5  | 12 16 20       |           |     |     |     |     |        |            |                      |
|             |      | 6  | 16 20 25       |           |     |     |     |     |        |            |                      |
|             |      | 8  | 20 25          |           |     |     |     |     |        |            |                      |
|             |      | 10 | 25             |           |     |     |     |     |        |            |                      |
| 6           | 8    | 4  | 8 10 12 16 20  | 10        | 1.5 | 3   | 4.5 | 4   |        |            |                      |
|             |      | 5  | 10 12 16 20 25 |           |     |     |     |     |        |            |                      |
|             |      | 6  | 12 16 20 25    |           |     |     |     |     |        |            |                      |
|             |      | 8  | 20 25          |           |     |     |     |     |        |            |                      |
|             |      | 10 | 25             |           |     |     |     |     |        |            |                      |
|             |      | 12 | 25             |           |     |     |     |     |        |            |                      |
| 8           | 10   | 5  | 10 12 16 20 25 | 13        | 1.5 | 4   | 6.3 | 5   |        |            |                      |
|             |      | 6  | 12 16 20 25    |           |     |     |     |     |        |            |                      |
|             |      | 8  | 20 25          |           |     |     |     |     |        |            |                      |
|             |      | 10 | 25             |           |     |     |     |     |        |            |                      |
|             |      | 12 | 25             |           |     |     |     |     |        |            |                      |
|             |      | 15 | 25             |           |     |     |     |     |        |            |                      |

**Low Head**

**GUTBT**



**RoHS10**

| Reference Tensile Breaking Load (N) |      |
|-------------------------------------|------|
| M3                                  | 1390 |
| M5                                  | 4300 |

\*The above data are for reference, not guaranteed.

Material: SUS304 Equivalent

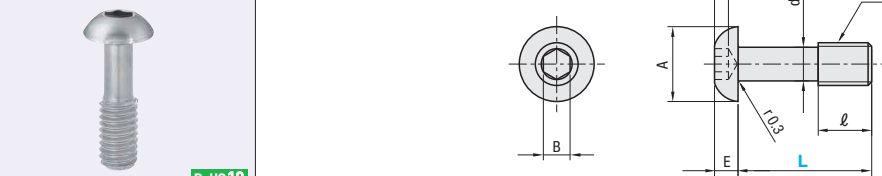
| Part Number | Type | M  | l                 | L              | A   | E   | B   | d   | t max. | Unit Price | Volume Discount Rate |
|-------------|------|----|-------------------|----------------|-----|-----|-----|-----|--------|------------|----------------------|
|             |      |    |                   |                |     |     |     |     |        |            |                      |
| GUTBT       | 3    | 4  | 2                 | 6 8            | 5.5 | 2   | 2   | 2.2 | 1.5    |            |                      |
|             |      |    | 3.5               | 6 8 10 12      |     |     |     |     |        |            |                      |
|             |      |    | 4                 | 8 10 12 16     |     |     |     |     |        |            |                      |
|             |      |    | 5                 | 10 12 16 20    |     |     |     |     |        |            |                      |
|             |      |    | 6                 | 12 16 20 25    |     |     |     |     |        |            |                      |
|             |      |    | 8                 | 16 20 25 30    |     |     |     |     |        |            |                      |
|             | 4    | 3  | 3                 | 6 8 10 12 16   | 7   | 2.8 | 2.5 | 3   | 2.3    |            |                      |
|             |      |    | 4                 | 8 10 12 16 20  |     |     |     |     |        |            |                      |
|             |      |    | 5                 | 10 12 16 20 25 |     |     |     |     |        |            |                      |
|             |      |    | 6                 | 12 16          |     |     |     |     |        |            |                      |
|             |      |    | 8                 | 16 20 25 30    |     |     |     |     |        |            |                      |
|             |      |    | 10                | 20 25 30       |     |     |     |     |        |            |                      |
| 5           | 6    | 4  | 8 10 12 16        | 8.5            | 3.5 | 3   | 3.9 | 2.7 |        |            |                      |
|             |      | 5  | 10 12 16 20 25    |                |     |     |     |     |        |            |                      |
|             |      | 6  | 12 16 20 25 30    |                |     |     |     |     |        |            |                      |
|             |      | 8  | 20 25 30          |                |     |     |     |     |        |            |                      |
|             |      | 10 | 25 30 40          |                |     |     |     |     |        |            |                      |
|             |      | 12 | 30 40             |                |     |     |     |     |        |            |                      |
| 6           | 8    | 5  | 10 12 16          | 10             | 4   | 4   | 4.5 | 3   |        |            |                      |
|             |      | 6  | 12 16 20 25 30    |                |     |     |     |     |        |            |                      |
|             |      | 8  | 20 25 30 40       |                |     |     |     |     |        |            |                      |
|             |      | 10 | 25 30 40          |                |     |     |     |     |        |            |                      |
|             |      | 12 | 30 40             |                |     |     |     |     |        |            |                      |
|             |      | 15 | 40 50             |                |     |     |     |     |        |            |                      |
| 8           | 10   | 6  | 12 16 20 25 30 40 | 13             | 5   | 5   | 6.3 | 3.8 |        |            |                      |
|             |      | 8  | 16 20 25 30 40    |                |     |     |     |     |        |            |                      |
|             |      | 10 | 20 25 30 40       |                |     |     |     |     |        |            |                      |
|             |      | 12 | 25 30 40          |                |     |     |     |     |        |            |                      |
|             |      | 15 | 30 40             |                |     |     |     |     |        |            |                      |
|             |      | 20 | 40 50             |                |     |     |     |     |        |            |                      |

Ordering Example

Part Number - l - L  
GUTBG5 - 3 - 16  
GUTBT8 - 10 - 20

**Button Head Cap Screws**

**CBBT**



**RoHS10**

Strength Class: A2-50 Equivalent  
Material: SUS304 Equivalent

| Part Number | Type | M | L  | l  | A    | E (Max.) | B   | C (Min.) | d   | Unit Price | Volume Discount Rate |              |              |
|-------------|------|---|----|----|------|----------|-----|----------|-----|------------|----------------------|--------------|--------------|
|             |      |   |    |    |      |          |     |          |     |            |                      | 1 ~ 29 pc(s) | 30 ~ 50 pcs. |
| CBBT        | 3    | 8 | 8  | 4  | 5.5  | 1.6      | 2   | 1.04     | 2.2 |            |                      |              |              |
|             |      |   | 10 | 5  | 7.5  | 2.2      | 2.5 | 1.3      | 3   |            |                      |              |              |
|             |      |   | 12 | 6  | 9.5  | 2.7      | 3   | 1.56     | 3.9 |            |                      |              |              |
|             |      |   | 15 | 8  | 10.5 | 3.3      | 4   | 2.08     | 4.5 |            |                      |              |              |
|             |      |   | 20 | 10 | 14   | 4.4      | 5   | 2.6      | 6.3 |            |                      |              |              |
|             |      |   | 25 |    |      |          |     |          |     |            |                      |              |              |
|             |      |   | 30 |    |      |          |     |          |     |            |                      |              |              |
|             |      |   | 40 |    |      |          |     |          |     |            |                      |              |              |

Ordering Example

Part Number - L  
CBBT5 - 20