


Hex Socket Flat Head Cap Screws / Hex Socket Button Head Cap Screws

Available in Steel/Single item-Flanged

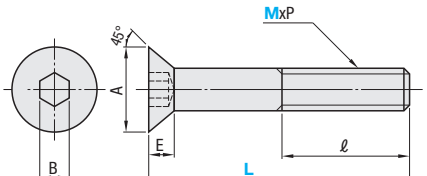
Hex Screws

Hex Socket Flat Head Cap Screws



RoHS 10

Type	Material	Hardness	Surface Treatment	Strength Class
FB	SCM435	32-39HRC	Black Oxide	10.9 Equivalent




MxP (Coarse)	A	E	B
4x0.7	8	2.3	2.5
5x0.8	10	2.8	3.0
6x1.0	12	3.3	4.0
8x1.25	16	4.4	5.0
10x1.5	20	5.5	6.0

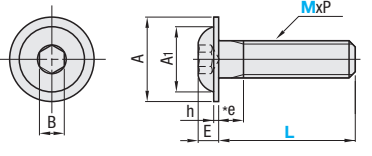
FB (Black Oxide)

Part Number	M-L	ℓ	Unit Price	Volume
			1 ~ 499 pcs.	500 ~ 1000 pcs.
4-10	15	Studs - Fully Threaded		
	20			
	25			
	30			
	35			
5-10	12	Studs - Fully Threaded		
	16			
	20			
	25			
	30			
6-10	12	Studs - Fully Threaded		
	15			
	16			
	20			
	25			
8-15	20	Studs - Fully Threaded		
	25			
	30			
	35			
	40			
10-20		Studs - Fully Threaded		

Hex Socket Button Head Cap Screws - Flanged



Type	Material	Hardness	Surface Treatment	Strength Class
BCBFB	SCM435	32-39HRC	Black Oxide	10.9 Equivalent
BCBFS	SUS304 Equivalent	-	-	A2-50 Equivalent




* e (Incomplete Threaded Portion) = Max. 2 Pitch

MxP (Coarse)	A	A1	E	h (Min.)	B
3x0.5	7	5.2	1.65	0.6	2
4x0.7	9.2	6.8	2.2	0.7	2.5
5x0.8	11.4	8.5	2.75	0.9	3
6x1.0	13.6	10.1	3.3	1	4

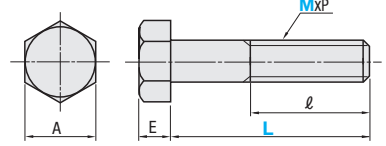
Part Number	Type	M-L	BCBFB		BCBFS	
			Unit Price	Volume Discount Rate	Unit Price	Volume Discount Rate
			1 ~ 10 pc(s).	11 ~ 100 pcs.	1 ~ 10 pc(s).	11 ~ 100 pcs.
BCBFB	3-5	6				
		8				
		10				
		12				
		15				
	4-6	8				
		10				
		12				
		15				
		18				
	5-8	10				
		12				
		15				
		18				
		22				
BCBFS	6-8	10				
		12				
		15				
		18				
		22				
	8-10	12				
		15				
		18				
		22				
		25				

Ordering Example
 Part Number
 BCBFB6-15
 BCBFS3-8

*The strength class signifies the screw's tensile strength.
 (Ex.) 10.9
 This indicates that the minimum value for yielding point or proof stress is 90% of tensile strength.
 This indicates that the minimum value of tensile strength is 1040N/mm².



Type	Material	Hardness	Surface Treatment	Strength Class
RCB	SCM435	32-39HRC	Black Oxide	10.9
RSCB	SUS304 Equivalent	-	-	A2-50



RoHS 10

RCB (Black Oxide)

Part Number	Type	M-L	ℓ	Unit Price	Volume		
				1 ~ 99 pc(s).	100 ~ 199 pcs.	160 ~ 199 pcs.	200 ~ 500 pcs.
RCB	5-8	Studs - Fully Threaded	10				
			12				
			15				
			20				
			25				
			30				
			35				
			40				
			6-10	Studs - Fully Threaded	12		
					15		
	20						
	25						
	30						
	35						
	40						
	8-10	Studs - Fully Threaded			12		
					15		
					20		
			25				
			30				
			35				
			40				
			10-15	Studs - Fully Threaded	20		
					25		
					30		
	35						
	40						
	45						
	50						
	12-20	Studs - Fully Threaded			25		
					30		
					35		
			40				
			45				
			50				
			55				
			60				
			16-30	Studs - Fully Threaded	35		
					40		
	45						
50							
55							
60							
65							
70							
75							
80							

Ordering Example
 Part Number
 RSCB12-100

RSCB (Stainless Steel)

Part Number	Type	M-L	ℓ	Unit Price	Volume		
				1 ~ 99 pc(s).	100 ~ 199 pcs.	160 ~ 199 pcs.	200 ~ 500 pcs.
RSCB	4-8	Studs - Fully Threaded	10				
			12				
			15				
			20				
			25				
			30				
			35				
			40				
			5-8	Studs - Fully Threaded	10		
					12		
	15						
	20						
	25						
	30						
	35						
	40						
	6-10	Studs - Fully Threaded			12		
					15		
			20				
			25				
			30				
			35				
			40				
			8-10	Studs - Fully Threaded	12		
					15		
					20		
	25						
	30						
	35						
	40						
	10-15	Studs - Fully Threaded			20		
					25		
					30		
			35				
			40				
			45				
			50				
			12-20	Studs - Fully Threaded	25		
					30		
					35		
40							
45							
50							
55							
60							
16-30	Studs - Fully Threaded	35					
		40					
		45					
		50					
		55					
		60					
		65					
		70					
		75					
		80					

Part Number	Type	M-L	ℓ	Unit Price	Volume		
				1 ~ 49 pc(s).	50 ~ 99 pcs.	100 ~ 199 pcs.	200 ~ 500 pcs.
RSCB	8-60	Studs - Fully Threaded	65				
			70				
			75				
			80				
			90				
			100				
			10-15	Studs - Fully Threaded	20		
					25		
					30		
					35		
	40						
	45						
	50						
	55						
	60						
	65						
	12-20	Studs - Fully Threaded	25				
			30				
			35				
			40				
			45				
			50				
			55				
			60				
			65				
			70				
	16-30	Studs - Fully Threaded	35				
			40				
			45				
			50				
			55				
			60				
			65				
			70				
			75				
			80				

MxP	A	E
4x0.7	7.0	2.8
5x0.8	8.0	3.5
6x1.0	10	4.0
8x1.25	13	5.5
10x1.5	17	7.0
12x1.75	19	8.0
16x2.0	24	10

Part Number	Type	M-L	ℓ	Unit Price	Volume		
				1 ~ 49 pc(s).	50 ~ 99 pcs.	100 ~ 199 pcs.	200 ~ 500 pcs.
RSCB	8-60	Studs - Fully Threaded	65				
			70				
			75				
			80				
			90				
			100				
			10-15	Studs - Fully Threaded	20		
					25		
					30		
					35		
	40						
	45						
	50						
	55						
	60						
	65						
	12-20	Studs - Fully Threaded	25				
			30				
			35				
			40				
			45				
			50				
			55				
			60				
			65				
			70				
	16-30	Studs - Fully Threaded	35				
			40				
			45				
			50				
			55				
			60				
			65				
			70				
			75				
			80				

*The strength class signifies the screw's tensile strength.
 (Ex.) 10.9
 This indicates that the minimum value for yielding point or proof stress is 90% of tensile strength.
 This indicates that the minimum value of tensile strength is 1040N/mm².