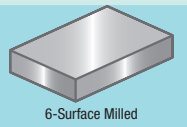
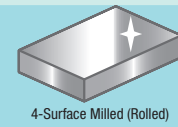


Configurable Plates - Aluminum

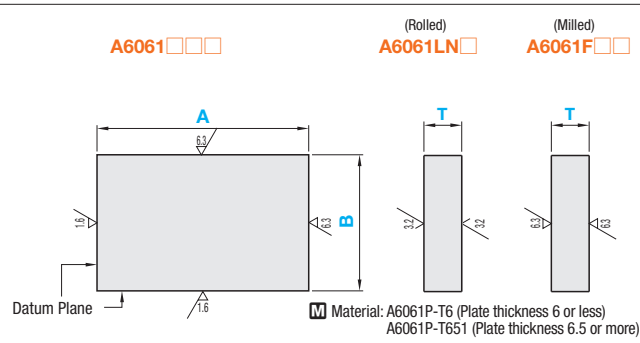
A6061P (Al-Mg-Si Aluminum Alloy)

Features of A6061P

Higher mechanical strength than A5052P
and more corrosion resistance than A2017P.



RoHS10



Material: A6061P-T6 (Plate thickness 6 or less)
A6061P-T651 (Plate thickness 6.5 or more)

(Ex.) For A6061FQM-255-220-18

A Dimension x Area Unit Price = Price

Type	Upper-Lower Surface Finish	①Plate Thickness Tolerance	②A, B Dimension Tolerance	0.5mm Increment		T Selectable/Configurable
				A	B	
A6061	L (Rolled)	N	P Q N M	25~500	10~300	5, 6, 8, 10, 12, 15, 20, 25, 30, 35, 40, 45, 50
	F (Milled)	P Q N M	P Q N M	25~500	10~300	5~50 (0.5mm Increment)

①Plate Thickness Tolerance

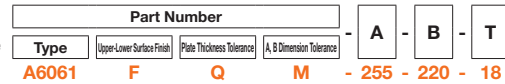
Upper-Lower Surface Finish	Available for N only										
	T Dimension										
L (Rolled)	±0.25	±0.28	±0.48	±0.64	±0.7	±0.8	±0.9	±1.0	±1.1	±1.1	±1.3
F (Milled)	+0.1~+0.3		0~-0.2		±0.1		-0.2~0				

②A, B Dimension Tolerance

Upper-Lower Surface Finish	A, B Dimension	P	Q	N	M
L (Rolled)	250mm or Less	+0.1~+0.3	0~+0.2	±0.1	-0.2~0
F (Milled)	250.5mm or More	+0.1~+0.6	0~+0.5	±0.25	-0.5~0

Precision Standards

Item	Upper-Lower Surface Finish (Max. Value)	
	L (Rolled)	F (Milled)
Thickness Parallelism (per 100mm)	T5~ 6.5	0.05
	T7~ 12.5	
	T13~ 15.5	
	T16~ 20.5	
	T21~ 50	
Flatness (per 100mm)	T5~ 8.5	0.15
	T9~ 12.5	
	T13~ 20.5	
	T21~ 50	
Perpendicularity of Datum Plane	0.015 per 100mm	
Circumference Chamfering	C0.3 or Less	



Alterations Part Number - A - B - T - (CSC, CBC, CCA... etc.)
A6061LNM - 300 - 280 - 20 - CSC

Alterations	Circumference Chamfering		Corner Cut
	CSC	CBC	CCA, CCB, CCC, CCD
Spec.	Reduce the circumference chamfering dimension. Standard C0.3 or Less → C0.1 or Less	Increase the circumference chamfering dimension. Standard C0.2 ~ 0.5 → C0.5~C0.1	Cuts any corners. 1≤ Corner Cut ≤50: 1mm Increment C = $\frac{A}{2} - \frac{B}{2}$ Ordering Code (Ex.) When the corners of A and D are cut by C5, → CCA5-CCD5

Part Number	A	B	T	5	6	8	10	12	15	20	25	30	35	40	45	50	
				A6061LN	25 ~ 50	10~19.5	10~19.5										
	50.5~ 75																
	75.5~ 100																
	100.5~ 250	20~50	20~50														
	25 ~ 50																
	50.5~ 75																
	75.5~ 100	50.5~75	50.5~75														
	100.5~ 200																
	200.5~ 500																
	75.5~ 100	75.5~100	75.5~100														
	100.5~ 200																
	200.5~ 300																
	300.5~ 500	100.5~125	100.5~125														
	100.5~ 250																
	250.5~ 500																
	125.5~ 300	125.5~150	125.5~150														
	300.5~ 500																
	150.5~ 300																
	300.5~ 500	150.5~160	150.5~160														
	160.5~ 500																
	200.5~ 500																
	200.5~ 500	200.5~250	200.5~250														
	250.5~ 500																
	250.5~ 500																

Part Number	A	B	T	5	5.5-6.5	7~10	10.5-15	15.5-20	20.5-25	25.5-30	30.5-35	35.5-40	40.5-45	45.5-49	
				A6061F	25 ~ 50	10~19.5	10~19.5								
	50.5~ 75														
	75.5~ 100														
	100.5~ 250	20~50	20~50												
	25 ~ 50														
	50.5~ 75														
	75.5~ 100	50.5~75	50.5~75												
	100.5~ 250														
	50.5~ 75														
	75.5~ 100	75.5~100	75.5~100												
	100.5~ 200														
	200.5~ 300														
	300.5~ 500	100.5~125	100.5~125												
	100.5~ 250														
	250.5~ 500														
	125.5~ 300	125.5~150	125.5~150												
	300.5~ 500														
	150.5~ 300														
	300.5~ 500	150.5~160	150.5~160												
	160.5~ 500														
	200.5~ 500														
	200.5~ 500	200.5~250	200.5~250												
	250.5~ 500														
	250.5~ 500														