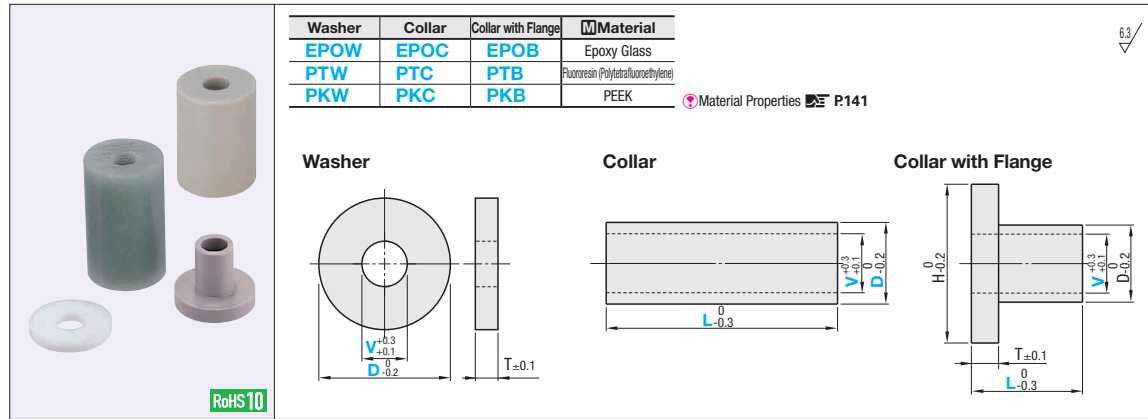


Washers / Collars - Fluororesin / Epoxy Glass / PEEK

Square Resin Washers / Extra Thin Resin Sheets



Washer	Collar	Collar with Flange	Material
EPOW	EPOC	EPOB	Epoxy Glass
PTW	PTC	PTB	Fluororesin (Polytetrafluoroethylene)
PKW	PKC	PKB	PEEK

Material Properties P141

Washer		Unit Price	
Part Number	V Selection	EPOW	PTW
Type	D		
EPOW PTW PKW	10	3 4 5 6	
	12	4 5 6 8	
	14	4 5 6 8 10	
	15	4 5 6 8 10	
	16	5 6 8 10	
	20	5 6 8 10 12	
	25	6 8 10 12	
	30	10 12 16	
	35	12 16	
	40	16	

Ordering Example: Part Number - V
PTW10 - 3

Collar		Unit Price	
Part Number	D Selection	L 1mm Increment	
Type	V		
EPOC PTC PKC	2	5 6 8 10	5~30
	3	5 6 8 10 12 14	
	4	6 8 10 12 14 15	
	5	8 10 12 14 15 16 20	
	6	8 10 12 14 15 16 20 25	5~50
	8	12 14 15 16 20 25 30	
	10	14 15 16 20 25 30	
	12	20 25 30	
	16	20 25 30	5~100
	20	25 30	

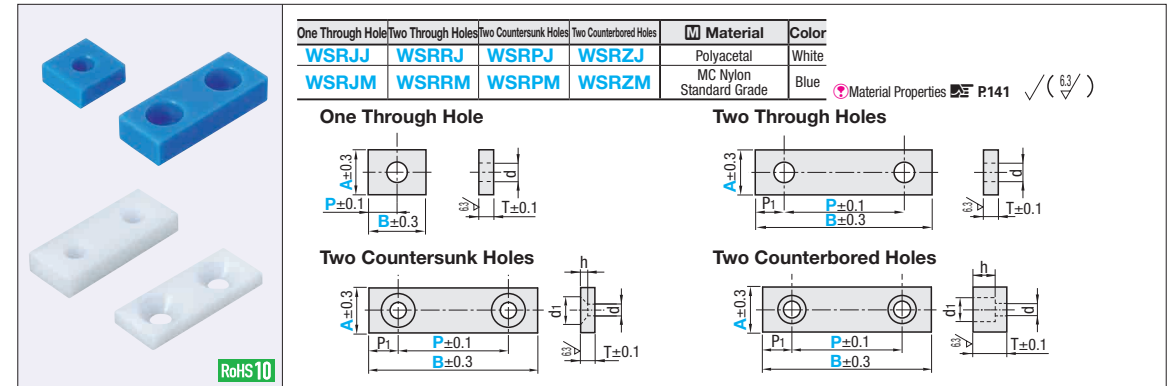
Ordering Example: Part Number - D - L
EPOC16 - 25 - 55

Machining Conditions L≤Dx3, only for PTC

Part Number	V	Unit Price											
		EPOC			PTC			PKC					
Type		L5~25	L26~50	L51~75	L76~100	L5~25	L26~50	L51~75	L76~100	L5~25	L26~50	L51~75	L76~100
EPOC PTC PKC	2												
	3												
	4												
	5												
	6												
	8												
	10												
	12												
	16												
	20												

Collar with Flange		Unit Price	
Part Number	L Selection	EPOB	PTB
Type	V		
EPOB PTB PKB	3		
	4	8 10 15 20	
	5		
	6		
	8		
	10	10 15 20 25	
	12		
	16	15 20 25	

Ordering Example: Part Number - L
PKB10 - 10



One Through Hole	Two Through Holes	Two Countersunk Holes	Two Counterbored Holes	Material	Color
WSRJ	WSRR	WSRP	WSRZ	Polyacetal	White
WSRJ	WSRR	WSRP	WSRZ	MC Nylon Standard Grade	Blue

Material Properties P141

One Through Hole		Unit Price	
Part Number	Type	WSRJ	WSRJM
6	6-20	3.0-10.0	2 3 3.5
8	8-25	4.0-12.5	3 3 3.5
10	10-30	5.0-15.0	4 4 4.5
12	12-35	6.0-17.5	5 4 4.5
15	15-45	7.5-22.5	6 5 5.5
20	20-60	10.0-30.0	8 6 6.5
25	25-75	12.5-37.5	10 8 9

Two Through Holes		Unit Price	
Part Number	Type	WSRR	WSRRM
6	12-24	6.0-18.0	2 3 3.5 3
8	16-32	8.0-24.0	3 3 3.5 4
10	20-40	10.0-30.0	4 4 4.5 5
12	24-48	12.0-36.0	5 4 4.5 6
15	30-60	15.0-45.0	6 5 5.5 7.5
20	40-80	20.0-60.0	8 6 6.5 10
25	50-100	25.0-75.0	10 8 9 12.5

Two Countersunk Holes		Unit Price	
Part Number	Type	WSRP	WSRPM
10	20-40	10.0-30.0	3 3 3.5 7.5 2 5
12	24-48	12.0-36.0	4 4 4.5 9.5 2.5 6
15	30-60	15.0-45.0	4 5 5.5 11.5 3 7.5
20	40-80	20.0-60.0	5 6 6.5 13.5 3.5 10
25	50-100	25.0-75.0	6 8 9 19 5 12.5

Two Counterbored Holes		Unit Price	
Part Number	Type	WSRZ	WSRZM
10	20-40	10.0-30.0	6 3 3.5 6.5 4 5
12	24-48	12.0-36.0	8 4 4.5 8 5 6
15	30-60	15.0-45.0	8 5 5.5 9.5 6 7.5
20	40-80	20.0-60.0	10 6 6.5 11 7 10
25	50-100	25.0-75.0	12 8 9 14 9 12.5

Ordering Example: Part Number - B - P
WSRJ10 - 25 - 12.5

Alterations: Part Number - B - P - (NA)
WSRJM20 - 60 - 15.0 - NA30

Type	Material	Color	Thickness (T) Tolerance			
			0.1	0.2	0.3	0.5
CIRAJ	Polyacetal	White	-	±0.03	±0.04	±0.07
CIRAT	Fluororesin	White	±0.01	±0.02	±0.03	±0.05
CIRAP	Polycarbonate	Transparent	±0.01	±0.02	±0.03	±0.05

Ordering Example: Part Number - A - B
CIRAJ0.2 - 100 - 20

Slotted Hole

Alterations: NA

Code: NA

Spec: Changes the through hole to the slotted hole. (Applicable to One Through Hole and Two Through Holes Type only.)

Ordering Code (Specify in 0.5mm increments): NA15

Machining Conditions: One Hole 1≤NA≤B-P-d/2-1.25; Two Holes 1≤NA≤P-d-1.25

Workpiece Holder: Knurled Knob WSRJ

Part Number	Type	T	Unit Price														
			A	B	CIRAJ			CIRAT			CIRAP						
CIRAJ CIRAT CIRAP	*0.1 0.2 0.3 0.5 1.0	20, 30, 40, 50, 60, 70, 80, 90, 100, 150, 200	20	30	0.2	0.3	0.5	1.0	0.2	0.3	0.5	1.0	0.2	0.3	0.5	1.0	
			40	50													
			60	70, 80													
			90, 100	150													
			30, 40	50, 60													
			70, 80, 90	100, 150													
			40, 50	60, 70, 80													
			90, 100	150													
			50, 60	70, 80, 90													
			100	150, 200													
			60	70, 80, 90													
			100	150													
200	300																

* CIRAJ is not available for T0.1.