


# Holder

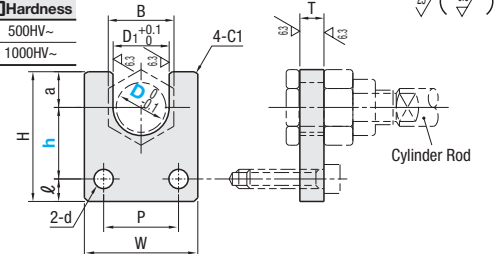
## Bar Type

■ Features: Prepared for types with different hardness.

**Side Mount**



Height h Fixed	Height h Configurable	Material	Surface Treatment	Hardness
HLRB	HLRBH	S45C Equivalent	Salt-bath Nitriding	500HV~
HLRBSW	-	SUS304 Equivalent	Nitriding Treatment	1000HV~




For details on Salt-bath Nitriding, see P.1907.  
Salt-bath Nitriding may cause uneven color, which doesn't affect mechanical function.

Part Number	Type	D	h		B	D1	T	Tolerance	W	H*	a	l	P	d	Unit Price						
			HLRB	HLRBSW											HLRBH						
Height h Fixed HLRB HLRBSW	4	14	6~20	6	4.5	4	0	-0.12	16	24	4	6	8	4.5							
	5~19		8	6.5	22										33	7					
	7~18		10	8	19										26	6	10				
	7~25		12	9	22										33	7	12				
	9~24		14	11	25										34	8	14				
Height h Configurable HLRBH	13	25	12~30	17	14	8	0	-0.15	32	45	10	10	20	6.6							
	13~28		21	18	38										47	12	26				
	18~34		23	20	50										56	14	12	34			
	18~33		26	23	57										15	15	12	34			
	21~46		30	27	65										74	19	15	44			

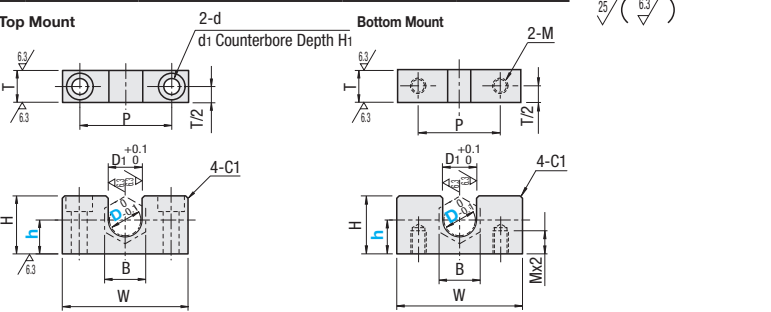
\* For height h configurable type, H=a+h+l

Ordering Example: Part Number HLRBH10 - h 14

## Top/Bottom Mount



Connecting method	Bar Type		Material	Surface Treatment	Hardness
	Height h Fixed	Height h Configurable			
Top Mount	HLRDH	HLRDBH	S45C Equivalent	Salt-bath Nitriding	500HV~
Bottom Mount	-	HLRDBH	-	-	-



For details on Salt-bath Nitriding, see P.1907.  
Salt-bath Nitriding may cause uneven color, which doesn't affect mechanical function.

Part Number	Type	D	h		H	B	D1	T	Tolerance	W	P	d	d1	H1	M	Unit Price							
			HLRDH	HLRDBH												HLRDBH							
Top Mount HLRDH	7	10	10~23	h+6	10	8	8	0	-0.15	36	26	4.5	-	-	4								
	8		12~27	h+7	12	9	10	42								30	5.5						
	10		13~27	h+8	14	11	12	44								32	9.5	5.5	5				
	13		15~30	h+10	17	14	13	52								38	6.6	11	6.5	6			
	16		19~33	h+12	21	18	15	56								42	9	14	9	8			
Bottom Mount HLRDBH	18	25	21~36	h+14	23	20	16	0	-0.22	66	48	9	14	9	8								
	21		22~35	h+15	26	23	19	70								52	11	17	11	10			
	25		25~41	h+19	30	27	20	84								62	11	17	11	10			


Ordering Example: Height h Fixed Part Number HLRDH13 - Height h Configurable Part Number HLRDBH16 - h 21

# Holder

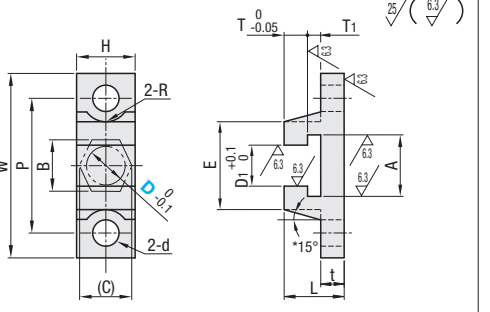
## Compact / L-Shaped

■ Features: The holder saves space.

**Compact**

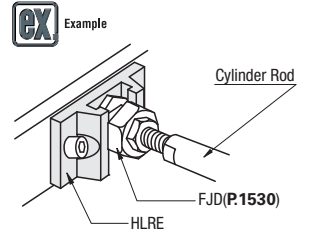


Type	Material	Surface Treatment	Hardness
HLRE	S45C Equivalent	Salt-bath Nitriding	500HV~
HLRESW	SUS304	Nitriding Treatment	1000HV~



\* D=18, 21 and 25 are straight without taper.  
Salt-bath Nitriding may cause uneven color, which doesn't affect mechanical function.  
For details of Salt-bath Nitriding, see P.1907.

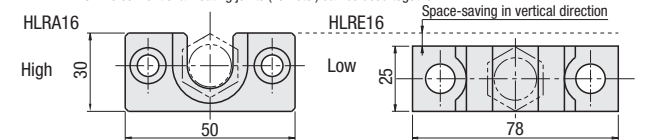
Part Number	Type	D	B	(C)	D1	T	T1	W	H	P	R	d	L	t	A	E	Unit Price										
																	HLRE	HLRESW	HLRESW								
HLRE HLRESW	7	10	11.5	8	4	4.5	13.5	5	13	20	5	13	5	13	20	15.4	22										
	8		12	13.9														9	48	14	34	5.5	14.5	15.4	22		
	10		14	16.2														11	52	16.5	38	7	6.8	16.5	6	17.5	24
	13		17	19.6														14	63	20	46	8	9	20.5	8	21	30
	16		21	24.2														18	78	25	58	10	11	22.5	10	25.5	39
	18		23	26.6														20	90	26.5	66	10	11	28.5	12	28.5	50
	21		26	30														23	96	29	72	11.5	13	31.5	15	31.5	56
	25		30	34.6														27	104	32.5	80	11.5	13	35.5	15	35.2	64




Ordering Example: Part Number HLRE8

### Features

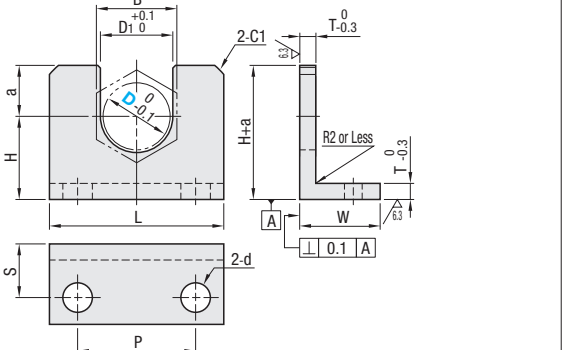
- In comparison with the conventional holder (HLRA), overall height (H dimension) is lower.
- The holder saves space.
- The conventional floating joints (FJR etc.) can be used together.



## L-Shaped



Type	Material	Surface Treatment	Hardness
HLRL	SS400	Salt-bath Nitriding	500HV~



For details on Salt-bath Nitriding, see P.1907.  
Salt-bath Nitriding may cause uneven color, which doesn't affect mechanical function.

Part Number	Type	D	H	B	D1	T	L	W	a	P	S	d	Unit Price							
													HLRL	HLRL						
HLRL	7	20	10	8	6	19	19	22	6	10	14	4.5								
	8												12	9	22	7	12	5.5		
	10												14	11	25	8	14	6.5		
	13												17	14	32	10	20	9		
	16												21	18	38	12	26	11		
	18												23	20	50	14	34	13		
	21												26	23	60	15	40	15		
	25												30	27	84	19	40	25		



Ordering Example: Part Number HLRL10