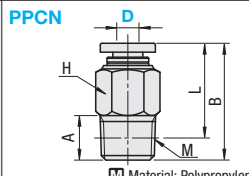


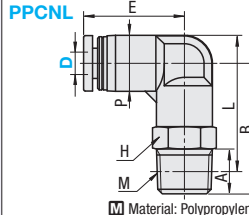
# One-Touch Couplings for Clean Applications

**Connectors** **PPCN**



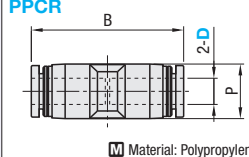
Material: Polypropylene

**Elbows** **PPCNL**



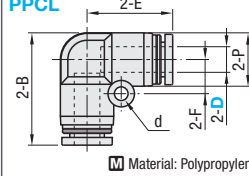
Material: Polypropylene

**Union Straight** **PPCR**



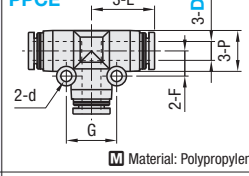
Material: Polypropylene

**Union Elbows** **PPCL**



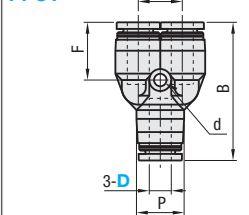
Material: Polypropylene

**Union Tees** **PPCE**



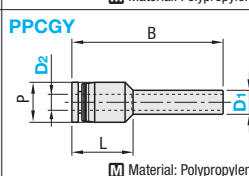
Material: Polypropylene

**Union Y** **PPCY**



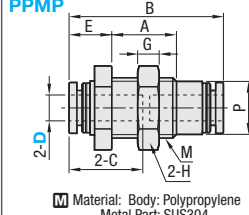
Material: Polypropylene

**Reducers** **PPCGY**



Material: Polypropylene

**Panel Mount** **PPMP**



Material: Body: Polypropylene  
Metal Part: SUS304

Part Number Type	D	Nominal	A	B	L	Width Across H	Thread Size M	Effective Sectional Area (mm <sup>2</sup> )	Mass (g)	Unit Price 1-9 pcs	Volume Discount Rate 10-30
PPCN	4	1	8	21.1	17.1	12	R1/8	3.4	2.5		
		2	8	22.8	18.8	14	R1/8	9.1	3		
	6	1	8	24.8	20.8	17	R1/8	22.1	4.5		
		2	11	27.9	23.9	19	R1/8	30.5	7		
	8	1	11	26.6	20.6	17	R1/4	30.5	7		
		2	12	27.5	21.2	19	R3/8	40.7	12		
	10	1	11	32.6	26.6	19	R1/4	30.5	7		
		2	12	33.6	27.3	22	R3/8	40.7	12		
	12	1	12	37.6	31.3	22	R3/8	40.7	12		
		2	12	37.6	31.3	22	R3/8	40.7	12		

Part Number Type	D	Nominal	A	B	L	P	E	Width Across H	Thread Size M	Effective Sectional Area (mm <sup>2</sup> )	Mass (g)	Unit Price 1-9 pcs	Volume Discount Rate 10-30
PPCNL	4	1	8	23.3	24.3	10	18.1	10	R1/8	3.4	4		
		2	8	25	27.3	12.5	19.9	12	R1/8	8.7	5		
	6	1	8	28	28.2	14	21.9	14	R1/4	17.2	7.5		
		2	11	31	32.2	14.5	22.7	17	R1/4	25.9	12		
	8	1	8	28	31.3	17	24.4	17	R3/8	37.6	18		
		2	11	31	32.2	17.5	26.4	17	R1/4	37.6	18		
	10	1	11	36	38.7	17.5	26.4	17	R1/4	37.6	18		
		2	12	37	39.4	21	29.6	22	R3/8	37.6	18		
	12	1	12	39	43.2	21	29.6	22	R3/8	37.6	18		
		2	12	39	43.2	21	29.6	22	R3/8	37.6	18		

Part Number Type	D	Nominal	A	B	L	P	Mass (g)	Effective Sectional Area (mm <sup>2</sup> )	Unit Price 1-9 pcs	Volume Discount Rate 10-30
PPCR	4	1	8	31	10	4	4	5.3		
	6	1	8	35.2	12.5	5.5	5.5	12.5		
	8	1	8	37.8	14.5	8	8	20		
	10	1	8	43.8	17.5	13	13	35		
	12	1	8	48.2	21	19	19	59		

Part Number Type	D	Nominal	A	B	L	P	E	d	F	Mass (g)	Effective Sectional Area (mm <sup>2</sup> )	Unit Price 1-9 pcs	Volume Discount Rate 10-30
PPCL	4	1	8	22	10	17	3.2	6.5	4.5	4.5	4.2		
	6	1	8	26.5	12.5	20.2	3.2	8	6	6	10		
	8	1	8	30	15	22.4	4.2	10	9	9	16.5		
	10	1	8	35.2	17.5	26.4	4.2	12	14	14	30		
	12	1	8	40.1	21	29.6	4.2	14	20	20	47		

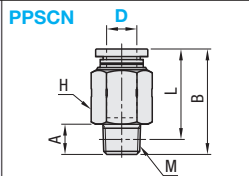
Part Number Type	D	Nominal	A	B	L	P	E	d	F	G	Mass (g)	Effective Sectional Area (mm <sup>2</sup> )	Unit Price 1-9 pcs	Volume Discount Rate 10-30
PPCE	4	1	8	10	17	3.2	6.5	13	6.5	5.3	5.3	4.2		
	6	1	8	13	20.2	3.5	8	16	9	9	12.5	10		
	8	1	8	15	22.2	3.5	9	18	13	20	20	16.5		
	10	1	8	17.5	25.4	4.2	12	24	21	35	35	30		
	12	1	8	21	28.6	4.2	14	28	30	59	59	47		

Part Number Type	D	Nominal	A	B	L	P	J	d	F	Mass (g)	Effective Sectional Area (mm <sup>2</sup> )	Unit Price 1-9 pcs	Volume Discount Rate 10-30
PPCY	4	1	8	33	10	11	3.4	14.2	6.5	4.2	4.2		
	6	1	8	38	13	12	3.4	15.9	9	10	10		
	8	1	8	42.4	15	14	3.4	17.2	13	16.5	16.5		
	10	1	8	48.8	18	18	4.5	19.7	22	27	27		
	12	1	8	55.2	21.5	20	4.2	22.4	31	38	38		

Part Number Type	D1	D2	B	L	P	Mass (g)	Effective Sectional Area (mm <sup>2</sup> )	Unit Price 1-9 pcs	Volume Discount Rate 10-30
PPCGY	6	4	37.8	15.3	10	3.5	5.3		
	8	4	40.3	16.8	12.5	4	5.3		
	10	6	40.9	17.4	14.5	4.5	9		
	12	6	43.9	18.9	12.5	5.5	9		
	12	8	43.7	18.7	14.5	6.5	20		

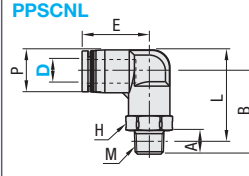
Part Number Type	D	B	E	A	P	C	H	G	Thread Size M	Mass (g)	Effective Sectional Area (mm <sup>2</sup> )	Unit Price 1-9 pcs	Volume Discount Rate 10-30
PPMP	4	31.6	9.3	12	10	15	14	5	M12x1.5	7.2	4.2		
	6	35.8	9.9	15	12.3	17.1	17	5	M14x1.5	10.2	10.7		
	8	38.4	10.7	15.5	14.2	18.4	19	6	M16x1.5	14.3	19.1		
	10	43.4	13.2	18.5	17.5	20.9	24	6	M20x1.5	24.4	39.6		
	12	38.8	13.4	20.5	21	23.6	27	6	M24x1.5	30.4	47.6		

**Straight** **PPSCN**



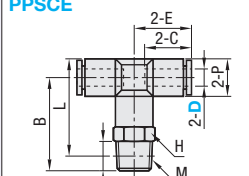
Material: Body: Polypropylene  
Thread: SUS304

**Elbows** **PPSCNL**



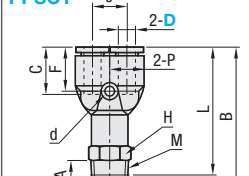
Material: Body: Polypropylene  
Thread: SUS304

**Tees** **PPSCE**



Material: Body: Polypropylene  
Thread: SUS304

**Branch Y** **PPSCY**



Material: Body: Polypropylene  
Thread: SUS304

**Ordering Example**

Part Number - Nominal

PPSCN4 - 1

PPSCY6 - 1

**Specifications**

Applicable Fluid: Air, Water, Chemicals

Operating Temperature Range: 0-80°C

Max. Operating Pressure: 0.9MPa(20°C)

Operating Vacuum Level: -100kPa \* No Freezing

**Features**

- Clean environment compatible polypropylene (PP) is used for the main body.
- Plastic body is semitransparent so that fluid is recognizable from the outside.

**Precautions for Use**

- For water or fluid, inserts for Soft Tubes (P1390 PUIT / PUSIT) must be used. Keep the surge pressure to below max. pressure rating.
- If threaded portion is made of PP, tighten coupling by screwing hand tight, then giving 2 or 3 turns with a wrench. Over tightening may damage threads. Insufficient tightening may cause loosening or leaking.
- Due to creep deformation, screws may become loose and minute leakages may occur. Periodical tightening maintenance is recommended. If retightening does not work, then replace the coupling in use.
- When possibilities of machine and equipment damages exist due to fluid medium leakages, consider providing protective measures such as covers prior to use.
- No oil permitted.

Part Number Type	D	Nominal	A	B	L	Width Across H	Thread Size M	Effective Sectional Area (mm <sup>2</sup> )	Mass (g)	Unit Price 1-9 pcs	Volume Discount Rate 10-30
PPSCN	4	1	8	21.1	17.1	10	R1/8	5.3	8		
		2	8	22.7	18.7	12	R1/8	12.5	8.5		
	6	1	8	24.7	20.7	14	R1/4	20	16		
		2	11	27.9	23.9	14	R1/4	20	14.5		
	8	1	8	27.9	23.9	17	R3/8	20	21.5		
		2	11	26.6	20.6	17	R3/8	20	21.5		
	10	1	11	30	24	17	R1/4	35	18.5		
		2	12	29.5	23.2	17	R3/8	35	24		
	12	1	12	32.1	25.8	21	R3/8	59	32.5		
		2	12	32.1	25.8	21	R3/8	59	32.5		

Part Number Type	D	Nominal	A	B	L	P	E	Width Across H	Thread Size M	Effective Sectional Area (mm <sup>2</sup> )	Mass (g)	Unit Price 1-9 pcs	Volume Discount Rate 10-30
PPSCNL	4	1	8	23.3	24.3	10	18.1	10	R1/8	4.2	10		
		2	8	25	27.3	12.5	19.9	12	R1/8	10	12.5		
	6	1	8	28	28.2	14	21.9	14	R1/4	16.5	20		
		2	11	28	31.3	14.5	22.7	14	R1/4	16.5	21.5		
	8	1	8	28	31.3	17	24.4	17	R3/8	37.6	35		
		2	11	31	32.2	17.5	26.4	17	R1/4	30	30.5		
	10	1	11	36	38.7	17.5	26.4	17	R1/4	30	38		
		2	12	37	39.4	21	29.6	21	R3/8	47	45.5		
	12	1	12	39	43.2	21	29.6	21	R3/8	47	45.5		
		2	12	39	43.2	21	29.6	21	R3/8	47	45.5		

Part Number Type	D	Nominal	A	B	L	P	C	E	Width Across H	Thread Size M	Effective Sectional Area (mm <sup>2</sup> )	Mass (g)	Unit Price 1-9 pcs	Volume Discount Rate 10-30
PPSCE	4	1	8	23.3	24.3	10	15	17	10	R1/8	4.1	12		
		2	8	26	28.5	13	17.1	20.3	12	R1/8	15.5	15.5		
	6	1	8	29	29.5	15	18.4	22.4	14	R1/4	10	23		
		2	11	29	29.5	15	18.4	22.4	14	R1/4	10	23		
	8	1	8	26.3	29.8	15	18.4	22.4	14	R1/4	16.5	19.5		
		2	11	29.3	30.8	15	18.4	22.4	14	R1/4	16.5	25		
	10	1	11	36	38.7	17.5	20.4	25.4	17	R3/8	30	37.5		
		2	12	37	39.4	21	23.1	28.6	21	R3/8	47	44		
	12	1	12	39	43.2	21	23.1	28.6	21	R3/8	47	54.5		
		2	12	39	43.2	21	23.1	28.6	21	R3/8	47	54.5		

Part Number Type	D	Nominal	A	B	L	P	C	J	d	F	Width Across H	Thread Size M	Effective Sectional Area (mm <sup>2</sup> )	Mass (g)	Unit Price 1-9 pcs	Volume Discount Rate 10-30
PPSCY	4	1	8	40.7	36.7	10	15	11	3.4	14.2	10	R1/8	4.2	12.5		
		2	8	44.5	40.5	12.5	17.1	12	3.2	15.9	12	R1/8	10	15.5		
	6	1	8	47.5	41.5											