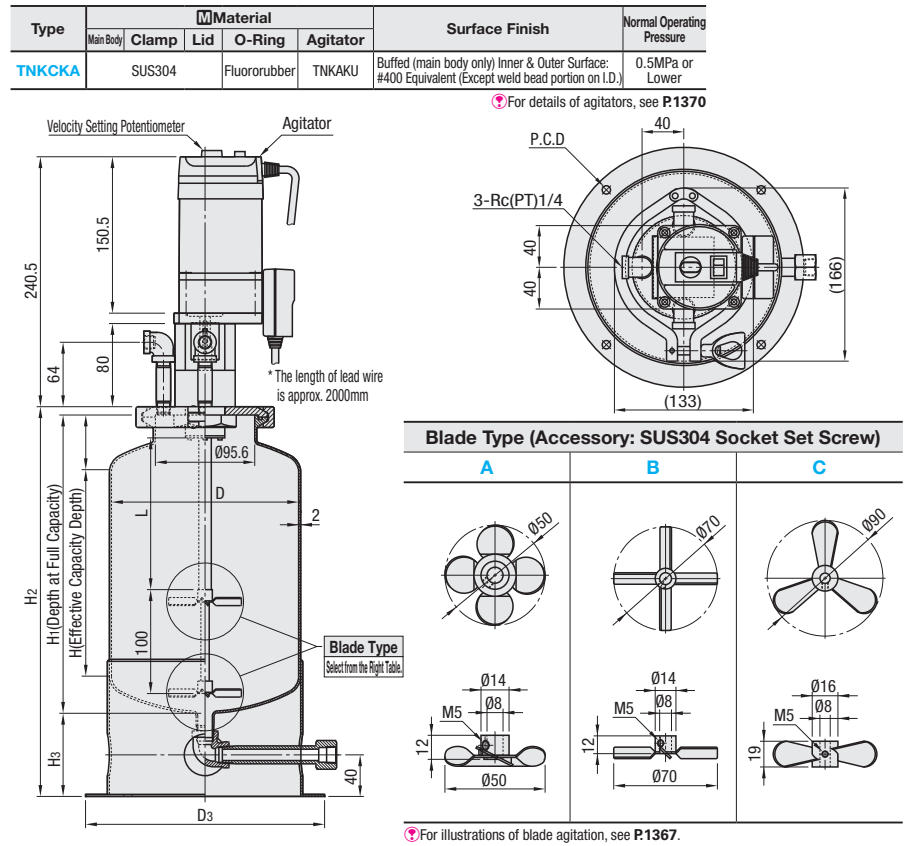


# Pressure Tanks with Agitator

## Narrow Mouth

■ Features: Narrow Mouth Pressure Tanks with Base (on P.1366) assembled with agitator.



For illustrations of blade agitation, see P.1367.

Part Number	Choice in Agitators' Gear Head Reduction Ratio	Blade Shape	At Full Capacity (ℓ)	I.D. D	Effective Capacity Depth H	At Full Capacity Depth H <sub>1</sub>	H <sub>2</sub>	H <sub>3</sub>	L	P.C.D.	D <sub>3</sub>	Weight (kg)	Unit Price 1 ~ 3 pc(s).					
													Blade Shape					
Type	Effective Capacity (ℓ)												NA	A	B	C		
TNKCKA	4	5 9	NA (None)	A B C	4.2	158.4	175	260	348	80	119	190	210	7.55				
	5.9				6	180	194	287	375	80	146	210	230	8.45				
	12.7				13.2	250	208	325	418	85	185	285	310	9.45				

Full capacity level is a theoretical value that is obtained by calculation (base area x H<sub>1</sub> depth). Use within the effective H depth (up to -20mm from upper surface).  
 Reference: Effective Capacity (ℓ) = Radius cm (D/2/10) x Radius cm (D/2/10) x 3.14 x Depth at Effective Capacity cm (H/10) / 1000 (At full capacity, H<sub>1</sub> is used as H) \* 2 agitation blades in same shape comes together.

### Motor Specifications

Power Supply	Maximum Output	Current	Rotational Speed r/min	Gear Head Reduction Ratio			
				Variable Speed Range	Allowable Torque	5	9
AC100V	25W	0.7A	90	18	10	0.18	0.33
			50Hz	280	156	0.62	1.2
			60Hz	300	167	0.49	0.87

### <Price Calculation Example>

The price of Pressure Tanks with Agitator is unit price (Tank + Agitator) plus additional charge depending on blades' shape.

Ordering Example	Part Number	Reduction Ratio	Blade Shape
	TNKCKA4	5	B
	TNKCKA5.9	9	NA

Alterations Part Number - Reduction Ratio - Blade Shape - (LG, NBR)  
 TNKCKA4 - 5 - B - LG

Alterations	Code	Spec.
Installation of Level Gauge	LG	Install level gauge to provide visual view of the liquid level. Suspended at 40mm from the bottom of the tank. 4ℓ Capacity: X=59.5mm, 5.9ℓ Capacity: X=65mm, 12.7ℓ Capacity: X=80mm, 22.5ℓ Capacity: X=80mm For details of materials and others, see P.1362.

# Agitators / Agitator Blades

RoHS 10

### TNKAKU

Operating Temp.: ~ 100°C

### Component List

No.	Part Name	Material	Quantity
1	Agitation Blade	SUS304	1
2	Agitation Shaft	SUS304	1
3	Fixing Nut	SUS304	1
4	Sealing Cap	SUS304	1
5	Back-Up Ring	PTFE	2
6	Seal for O-Ring	Viton	1
7	Cap Screw	SUS304	4
8	Seal for O-Ring	Viton	1
9	Bearing Housing	AL Anodize	1
10	Shaft for Motor Fixing	SUS304	4
11	Bearing	SUS304	2
12	Bearing Spacer	SS	1
13	C-Ring	SS	1
14	Cap Screw	SUS304	4
15	Coupling	SUS304	1
16	Motor Base	AL	1
17	Gear Head	-	1
18	Electric Motor	-	1

### Structure Diagram

Do not disassemble. Blade ① is charged separately. See below.

### L Dimension Compatibility Chart

Shaft L Dimension	Applicable Tank
105	TNKBKA2.9
119	TNCKA4
136	TNCKA4.7
146	TNCKA5.9
185	TNKBKA10, TNCKA12.7

Part Number	Gear Head Reduction Ratio	Selectable L Dimension	Unit Price Qty. 1 ~ 3	Motor Specifications				Gear Head Reduction Ratio				
				Power Supply	Maximum Voltage	Current	Rotational Speed r/min	Variable Speed Range	Allowable Torque	5	9	
TNKAKU	5	105 119 136 146 185		AC100V	25W	0.7A	90	18	10	0.18	0.33	
	9		1200				50Hz	280	156	0.62	1.2	60Hz

RoHS 10

### HANE

#### Type A

#### Type B

#### Type C

Material: SUS304 Accessory: Nut (SUS304)

### Ordering Example

Part Number - Type  
 HANE - A

Part Number	Type	Unit Price Qty. 1 ~ 5
HANE	A	
	B	
	C	

Ordering Example Part Number - Type  
 HANE - A