
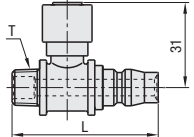

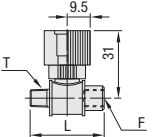

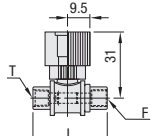


# Compact Ball Valves / Compact Needle Valves

## Knurled

•Compact Ball Valves The photo shows "open" status. Close condition can be obtained by counterclockwise rotation of 90°.

<p><b>Knurled</b> PT Male / Coupler Socket</p>  <p>Material: Brass Surface Treatment: Chrome Plating</p>	<p><b>BBKB</b></p> 
<p><b>Knurled</b> PT Male / PF Female</p>  <p>Material: Brass Surface Treatment: Chrome Plating</p>	<p><b>BBPTS</b></p> 
<p><b>Knurled</b> PT / PF Female</p>  <p>Material: Brass Surface Treatment: Chrome Plating</p>	<p><b>BBFFS</b></p> 

Part Number	Type	No.	T R (PT)	L	Unit Price	Volume Discount Rate
BBKB	11F	1/8		53	1 ~ 4 pc(s).	5~10
	22F	1/4				
	33F	3/8				

Ordering Example  
Part Number: BBKB11F


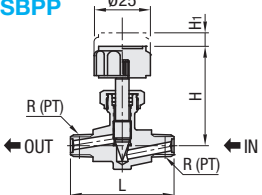

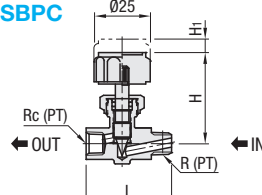

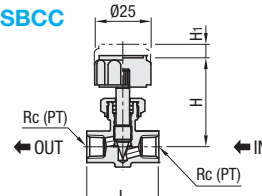

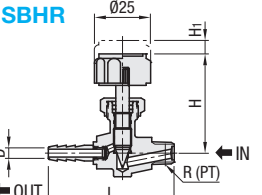
Part Number	Type	No.	T R (PT)	F G (PF)	L	Unit Price	Volume Discount Rate
BBPTS	11F	1/8	1/8	43	53	1 ~ 4 pc(s).	5~30
	12F	1/8	1/4				
	21F	1/4	1/8				
	22F	1/4	1/4				
	32F	3/8	1/4				
	43F	3/8	3/8				

Height of 33F and 43F is 32. For orders larger than indicated quantity, please check with WOS.

Part Number	Type	No.	T Rc (PT)	F G (PF)	L	Unit Price	Volume Discount Rate
BBFFS	11F	1/8	1/8	43	53	1 ~ 4 pc(s).	5~30
	12F	1/8	1/4				
	21F	1/4	1/8				
	22F	1/4	1/4				
	33F	3/8	3/8				

Height of 33F is 32. For orders larger than indicated quantity, please check with WOS.

•Compact Needle Valves

<p><b>PT / PT Male</b></p>  <p>Material: Brass Surface Treatment: Chrome Plating</p>	<p><b>NSBPP</b></p> 
<p><b>PT Male / PT Female</b></p>  <p>Material: Brass Surface Treatment: Chrome Plating</p>	<p><b>NSBPC</b></p> 
<p><b>PT / PT Female</b></p>  <p>Material: Brass Surface Treatment: Chrome Plating</p>	<p><b>NSBCC</b></p> 
<p><b>PT Male / Hose Connection</b></p>  <p>Material: Brass Surface Treatment: Chrome Plating</p>	<p><b>NSBHR</b></p> 

Part Number	Type	No.	R (PT)	L	H	H1	Unit Price	Volume Discount Rate
NSBPP	11	1/8	46	44	6		1 ~ 4 pc(s).	5~20
	22	1/4	46					
	33	3/8	50					

For orders larger than indicated quantity, please check with WOS.

Part Number	Type	No.	R (PT)	Rc (PT)	L	H	H1	Unit Price	Volume Discount Rate
NSBPC	11	1/8	1/8	38	41	6		1 ~ 4 pc(s).	5~20
	22	1/4	1/4	42	44				
	33	3/8	3/8	45	44				

For orders larger than indicated quantity, please check with WOS.

Part Number	Type	No.	Rc (PT)	Rc (PT)	L	H	H1	Unit Price	Volume Discount Rate
NSBCC	11	1/8	1/8	32	41	5		1 ~ 4 pc(s).	5~20
	22	1/4	1/4	36	44	6			
	33	3/8	3/8	40	44	6			

For orders larger than indicated quantity, please check with WOS.


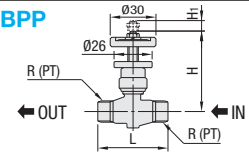

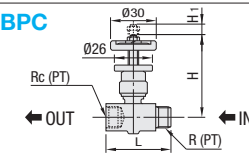

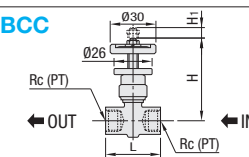
Part Number	Type	No.	Applicable Hose I.D. (mm)	R (PT)	D	L	H	H1	Unit Price	Volume Discount Rate
NSBHR	61	6	1/8	7	56	44	6		1 ~ 4 pc(s).	5~20
	93	9	3/8	10.5	66					

For orders larger than indicated quantity, please check with WOS.

**Specifications**

Applicable Fluids	Water, Air, Oil
Operating Temperature Range	-10 ~ 80°C (No Freezing)
Max. Operating Pressure	0.98MPa

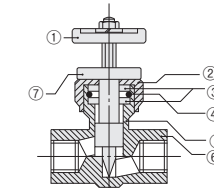
# Needle Valves

<p><b>Male Both Ends</b></p>  <p>Material: Brass Surface Treatment: Chrome Plating</p>	<p><b>NBPP</b></p> 
<p><b>Male Thread / Female Thread</b></p>  <p>Material: Brass Surface Treatment: Chrome Plating</p>	<p><b>NBPC</b></p> 
<p><b>Female Both Ends</b></p>  <p>Material: Brass Surface Treatment: Chrome Plating</p>	<p><b>NBCC</b></p> 

**Specifications**


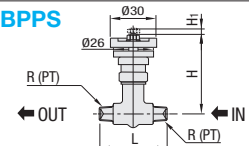

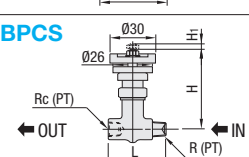

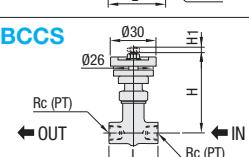
Applicable Fluids	Water, Air, Oil
Operating Temperature Range	-10 ~ 80°C (No Freezing)
Max. Operating Pressure	0.98MPa

Parts and Materials for Needle Valves



Part No.	Part Name	Material	Qty.	Processing
①	Handle	C3604BD	1	Chrome Plating
②	Gland Nut	C3604BD	1	Chrome Plating
③	Ring	C2801P	2	-
④	O-Ring	NBR	1	-
⑤	Spindle	C3604BD	1	Chrome Plating
⑥	Body	C3771BD	1	Chrome Plating
⑦	Lock Nut	C3604BD	1	Chrome Plating

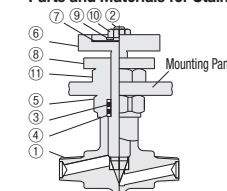
Maximum thickness is 5mm for Mounting Panel of Stainless Steel Needle Valve.

<p><b>Stainless Steel - Male Both Ends</b></p>  <p>Material: SUS304</p>	<p><b>NBPPS</b></p> 
<p><b>Stainless Steel - Male Thread / Female Thread</b></p>  <p>Material: SUS304</p>	<p><b>NBPCS</b></p> 
<p><b>Stainless Steel - Female Both Ends</b></p>  <p>Material: SUS304</p>	<p><b>NBCCS</b></p> 

**Specifications**

Applicable Fluids	Oil, Air, Water, Chemicals
Operating Temperature Range	-20 ~ 150°C (No Freezing)
Max. Operating Pressure	0.98MPa
Recommended Panel Hole Dia.	Ø14

Parts and Materials for Stainless Steel Needle Valves



Part No.	Part Name	Material	Qty.	Processing
①	Body	SUS304	1	-
②	Spindle	SUS304	1	-
③	O-Ring	PTFE	2	-
④	Ring	SUS304	3	-
⑤	Gland Nut	SUS303	1	-
⑥	Handle	C3604	1	Chrome Plating
⑦	Label	A1050P	1	-
⑧	Lock Nut	C3604	1	Chrome Plating
⑨	Washer	SUS304	1	-
⑩	Hex Nut	SUS304	1	-
⑪	Lock Nut for Panel	C3604	1	Chrome Plating

**Features of Needle Valves**

- Suited for fine adjustment of flow rate of water, oil or air.
- The body and the needle are chrome plated to improve air tightness, damage-proofing and smooth operation.
- The spindle is provided with a lock nut to prevent loosening due to vibration.

Ordering Example  
Part Number: NSBCC33

Ordering Example  
Part Number: NBPP22  
NBPPS33