

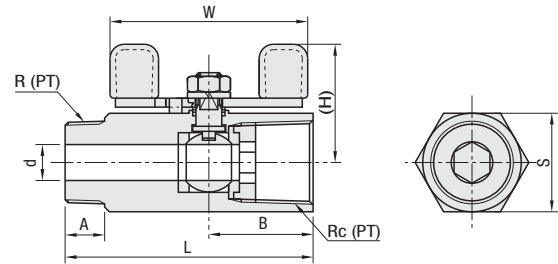
Ball Valves

PT Male / PT Female, PT / PF Female

PT Male / PT Female



Type	Material	Max. Operating Pressure
BSRC	Main Body: SCS14A Ball Seat: Fluororesin	Water, Oil, Air, Gas: 4.12MPa Saturated Steam: 1MPa



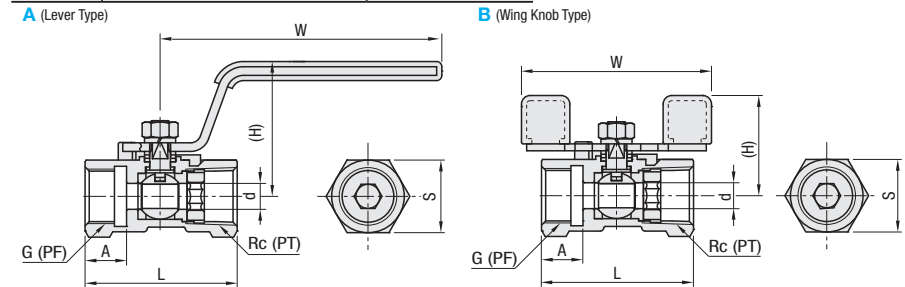
Part Number		R·Rc (PT)	d	A	B	S	L	(H)	W	Unit Price	Volume Discount Rate
Type	No.										
BSRC	8A	1/4	5	11	20	17	57	26	51		
	10A	3/8	7	12	28	21	68	29	55		

PT / PF Female



Type	Material	Max. Operating Pressure
BSGF	Main Body: SCS14A Ball Sheet: Fluororesin	Water, Oil, Air, Gas: 4.12MPa Saturated Steam: 1MPa

Application
With Rc (PT) male inlet port and G (PF) male outlet port, it is best suitable for use with a pressure gauge.



Part Number		Rc (PT)	G (PF)	L	A	d	S	Shape A		Shape B		Unit Price	Volume Discount Rate
Type	No.							(H)	W	(H)	W		
BSGF	8A A (Lever Type)	1/4	1/4	39	11.5	5	17	27	65	27	51		
	10A B (Wing Knob Type)	3/8	3/8	44	12	7	21	39	68	29	55		

Ordering Example
Part Number
BSRC8A
BSGF8A

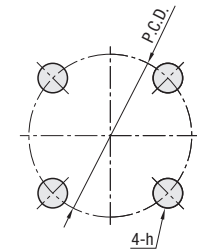
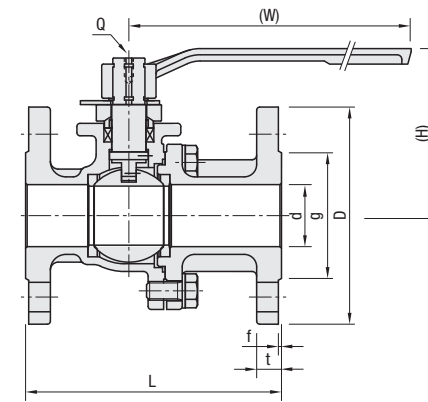
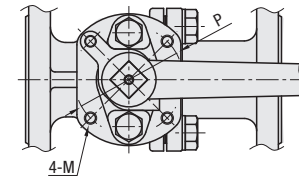
Ball Valves

Flanged Ball Valves

Flanged Ball Valves



BFRBG



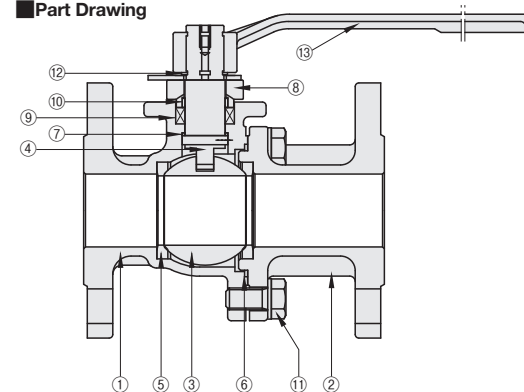
Features

- The full-port design reduces pressure loss.
- Lost wax precision casting product
- Key position can be locked at "Full-Open" and "Full-Close" positions.
- Equipped with anti static function.
- Tap on upper stem and fix by flat washer and bolts prevent fallout of grip.

Part Number		d	D	P.C.D.	g	t	f	h	L	(W)	(H)	Q	P	M	Unit Price	Volume Discount Rate
Type	No.															
BFRBG	15A	15	95	70	51	12	1	15	108	145	85	M4	42	M5	1 pc.	2 ~ 5 pcs.
	20A	20	100	75	56	14	1	15	117	145	92	M4	42	M5		
	25A	25	125	90	67	14	1	19	127	165	90	M5	50	M6		
	32A	32	135	100	76	16	2	19	140	165	97	M5	50	M6		
	40A	38	140	105	81	16	2	19	165	230	108	M5	70	M8		
	50A	50	155	120	96	16	2	19	178	230	116	M5	70	M8		

Ordering Example
Part Number
BFRBG15A

Part Drawing



Parts and Materials

Part No.	Part Name	Material
①	Body	SCS13A
②	Caps	SCS13A
③	Ball	SCS13A
④	Stem	SUS304
⑤	Ball Seat	Fluororesin
⑥	Gasket	Fluororesin
⑦	Thrust Washer	Fluororesin
⑧	Gland	SCS13A
⑨	Gland Gasket	Fluororesin
⑩	Stem Sleeve	Fluororesin
⑪	Hex Screw	SUS304
⑫	Retaining Ring	SUS304
⑬	Handle	FCD400

Specifications
Applicable Fluids Water, Air, Oil and Gas
Max. Operating Pressure 1.4MPa