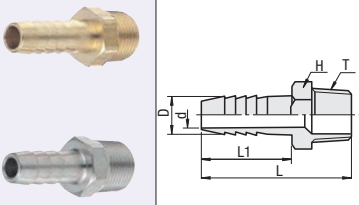


# Hose Fittings

### Male Threaded Hose Nipples

Type	Material
HOSN	Brass
HOSNS	SUS304



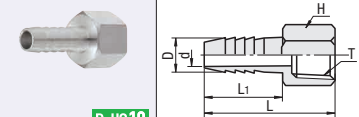
RoHS 10

Part Number	Applicable Hose Nominal I.D.	T R (PT)	D	HOSN				HOSNS				HOSN		HOSNS			
				d	H	L	L <sub>1</sub>	d	H	L	L <sub>1</sub>	Unit Price	Volume Discount Rate	Unit Price	Volume Discount Rate		
<b>61</b>	6	1/8	7	4	12	34	20	4	12	36	20	1-19 pc(s)	20-50	1-19 pc(s)	20-30		
<b>62</b>		1/4		4	14	41	26	4	14	42	24						
<b>63</b>		3/8		4	17	46	29	4	17	44	25						
<b>64</b>		1/2		3.5	22	50	29	4	22	49	27						
<b>628</b>		1/4		4.5	14	41	26	5	14	42	24						
<b>629</b>		1/4		9	5	14	41	26	5	14	42	24					
<b>91</b>		9	1/8	10.5	6	12	34	20	6	12	36	20					
<b>92</b>			1/4		7	14	41	26	6	14	42	24					
<b>93</b>			3/8		7	17	46	29	6	17	44	25					
<b>94</b>			1/2		6	22	50	29	7	22	49	27					
<b>12412</b>			1/2		12	7.5	22	50	29	8	22	49	27				
<b>122</b>			1/4		9	14	41	26	8	17	42	24					
<b>123</b>	12	3/8	14	10	17	46	29	9	17	44	25						
<b>124</b>		1/2		10	22	50	29	11	22	49	27						
<b>153</b>		3/8		11.5	17	46	29	11	17	44	25						
<b>154</b>		1/2		11	22	50	29	12	22	49	27						
<b>19619</b>		3/4		19	13	27	60	36	14	27	59	33					
<b>194</b>		19		1/2	20.5	14	22	50	29	15	22	49	27				
<b>196</b>	3/4		15	27		60	36	15	27	59	33						
<b>258</b>	1		27	20.5		35	74	42	22	35	70	40					
<b>3812</b>	38	1 1/2	40	30	51	100	61	31	52	90	53						
<b>5016</b>	50	2	52	40	63	132	86	43	63	100	60						

For orders larger than indicated quantity, please check with WOS.

### Female Threaded Hose Nipples

Type	Material
HOSFNS	SUS304



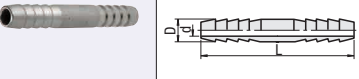
RoHS 10

Part Number	Applicable Hose Nominal I.D.	T Rc (PT)	D	d	H	L	L <sub>1</sub>	Unit Price	Volume Discount Rate
<b>62</b>	6	1/4	7.0	4.0	17	45	26	1-9 pc(s)	10-30
<b>92</b>	9	1/4	10.5	7.0	17	45	26		
<b>93</b>		3/8			22	49	28		
<b>94</b>		1/2			24	54	29		
<b>123</b>	12	3/8	14	10.0	22	49	28		
<b>124</b>		1/2			24	54	29		

For orders larger than indicated quantity, please check with WOS.

### Hose Barbs, Straight

Type	Material
HOSJJS	SUS304



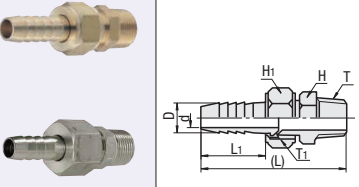
RoHS 10

Part Number	Applicable Hose Nominal I.D.	D	d	L	Unit Price	Volume Discount Rate
<b>6</b>	6	7.0	4.0	55	1-9 pc(s)	10-30
<b>9</b>	9	10.5	8.0	70		
<b>12</b>	12	14.0	10.0	75		
<b>19</b>	19	20.5	16.0	90		

For orders larger than indicated quantity, please check with WOS.

### Joint Hose Nipples

Type	Material
HOSJN	Brass
HOSJNS	SUS304



RoHS 10

Part Number	Applicable Hose Nominal I.D.	T R (PT)	D	T <sub>1</sub> G (PF)	d	H	H <sub>1</sub>	(L)	L <sub>1</sub>	HOSJN		HOSJNS			
										Unit Price	Volume Discount Rate	Unit Price	Volume Discount Rate		
<b>61</b>	6	1/8	7.0	1/8	4.0	12	12	43	19	-	-	-	-		
<b>62</b>		1/4		4.0	14	16	59	26	-	-	-	-			
<b>63</b>		3/8		1/4	4.0	17	16	60	26	-	-	-	-		
<b>628</b>		1/4		8	1/4	4.5	14	16	59	26	-	-	-	-	
<b>629</b>		1/4		9	1/4	5	14	16	59	26	-	-	-	-	
<b>92</b>		1/4		3/8	7.0	17	19	57	27	-	-	-	-	-	
<b>93</b>		9	3/8	10.5	3/8	7.0	17	19	60	27 (25)	-	-	-	-	
<b>94</b>			1/2		3/8	7.0	22	19	63	27	-	-	-	-	
<b>123</b>			3/8		1/2	10.0	22	24	71	31	-	-	-	-	
<b>124</b>			12		1/2	14.0	1/2	10.0 (10.5)	22	24	73 (69)	31 (27)	-	-	-
<b>126</b>					3/4	1/2	10.0	28	24	77	31	-	-	-	-
<b>153</b>					3/8	1/2	11.5	22	24	71	31	-	-	-	-
<b>154</b>	15	1/2	16	1/2	11.5	22	24	73	31	-	-	-			
<b>194</b>		3/4		15.0	28	30	78	35	-	-	-	-			
<b>196</b>		3/4		20.5	3/4	15.0	28 (29)	30	82 (80)	35 (33)	-	-	-		

Values in ( ) are applicable to HOSJNS.

For orders larger than indicated quantity, please check with WOS.

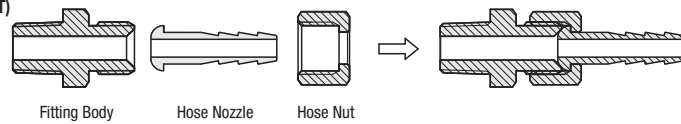
### Specifications

Applicable Fluids	Water, Air, Oil
Operating Temperature Range	-50 ~ 150°C (No Freezing)
Max. Operating Pressure	3.45MPa

### Ordering Example

Part Number  
**HOSN61**  
**HOSJJS12**

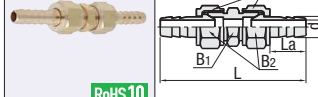
### Assembly Procedure (HOSJE / HOSJH / HOSJT)



- Insert hose nozzle into hose nut.
- Position the R-plane (seat) of hose nozzle to the inside of the body.
- Hand-tighten a hose nut.
- Then secure it tightly with a wrench or a monkey wrench.

### Open-Ended Hose Fittings

Type	Material
HOSSH	Brass



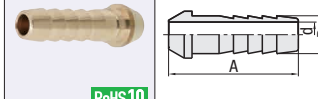
RoHS 10

Part Number	Applicable Hose Nominal I.D.	D	d	B <sub>1</sub>	B <sub>2</sub>	G (PF)	La	L	Unit Price	Volume Discount Rate	
<b>61</b>	6	7	4	14	16	1/4	26	89	1-4 pc(s)	5-10	
<b>628</b>		8	4.5	14	16	1/4	26	89			
<b>629</b>		9	5	14	16	1/4	26	89			
<b>92</b>		9	10.5	7	17	19	3/8	27	91		
<b>123</b>		12	14	10	22	24	1/2	31	112		
<b>153</b>		15	16	11.5	22	24	1/2	31	112		
<b>196</b>		19	20.5	15	27	30	3/4	35	120		

For orders larger than indicated quantity, please check with WOS.

### Hose Barbs, Straight

Type	Material
HOSHS	Brass



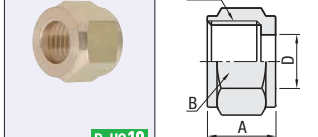
RoHS 10

Part Number	Applicable Hose Nominal I.D.	D	d	A	Unit Price	Volume Discount Rate
<b>628</b>	6	8	4.5	34	1-4 pc(s)	5-10
<b>629</b>		9	5	34		
<b>92</b>	9	10.5	7	36		
<b>123</b>	12	14	10	42		
<b>153</b>	15	16	11.5	42		
<b>196</b>	19	20.5	15	46		

Fitting applicable for HOSJN and HOSSH only. For orders larger than indicated quantity, please check with WOS.

### Swaging Sleeve Nuts for Hoses

Type	Material
HOSHN	Brass



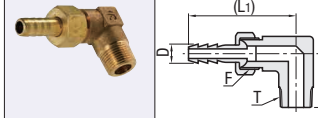
RoHS 10

Part Number	No.	Main Body Applicable No.	G (PF)	D	B	A	Unit Price	Volume Discount Rate
<b>2</b>	62	63 628 629	1/4	9.5	16	13	1-4 pc(s)	5-10
<b>3</b>	92	93 94	3/8	11	19	14		
<b>4</b>	123	124 126 153 154	1/2	16.5	24	16		
<b>6</b>	194	196	3/4	21.5	30	17.5		

Fitting applicable for HOSJN and HOSSH only. For orders larger than indicated quantity, please check with WOS.

### Elbow Hose Nipples

Type	Material
HOSJE	Brass



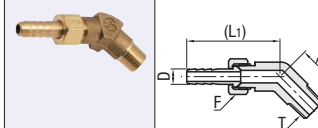
RoHS 10

Part Number	Applicable Hose Nominal I.D.	T R (PT)	F G (PF)	D	(L <sub>1</sub> )	(L <sub>2</sub> )	Unit Price	Volume Discount Rate
<b>61</b>	6	1/8	1/8	6.5	39	20	1-9 pc(s)	10-30
<b>82</b>	8	1/4	1/4	8	48.5	25		
<b>93</b>	9	3/8	3/8	10.0	56	28		
<b>124</b>	12	1/2	1/2	14.0	72	34		

For orders larger than indicated quantity, please check with WOS.

### 45° Elbow Hose Nipples

Type	Material
HOSJH	Brass



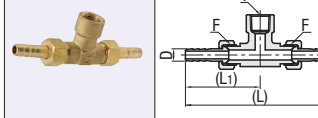
RoHS 10

Part Number	Applicable Hose Nominal I.D.	T R (PT)	F G (PF)	D	(L <sub>1</sub> )	(L <sub>2</sub> )	Unit Price	Volume Discount Rate
<b>61</b>	6	1/8	1/8	6.5	39	20	1-9 pc(s)	10-30
<b>82</b>	8	1/4	1/4	8	48.5	25		
<b>93</b>	9	3/8	3/8	10.0	56	28		
<b>124</b>	12	1/2	1/2	14.0	72	34		

For orders larger than indicated quantity, please check with WOS.

### Branch Tees

Type	Material
HOSJT	Brass



RoHS 10

Part Number	Applicable Hose Nominal I.D.	T Rc (PT)	F G (PF)	D	(L <sub>1</sub> )	(L)	Unit Price	Volume Discount Rate
<b>61</b>	6	1/8	1/8	6.5	39	78	1-9 pc(s)	10-30
<b>82</b>	8	1/4	1/4	8	48.5	97		
<b>93</b>	9	3/8	3/8	10.0	56	112		
<b>124</b>	12	1/2	1/2	14.0	72	144		

For orders larger than indicated quantity, please check with WOS.

### Ordering Example

Part Number  
**HOSJE61**

### Specifications

Applicable Fluids	Water, Air, Oil
Operating Temperature Range	-20 ~ 150°C (No Freezing)
Max. Operating Pressure	3.5MPa